

Installation guide

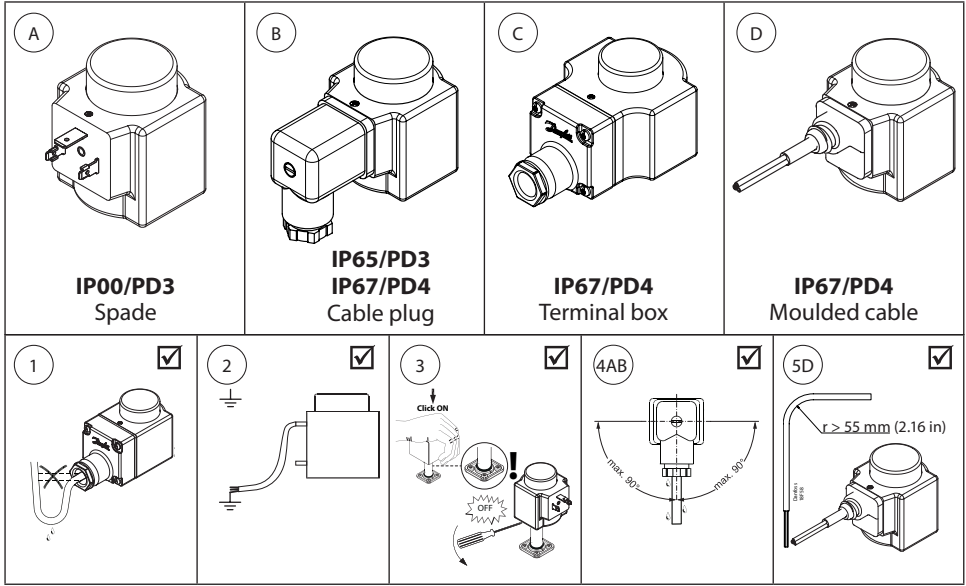
Solenoid coil

Type BB, BG, BQ, BT, BU, BY and BN



018R9670

018R9670

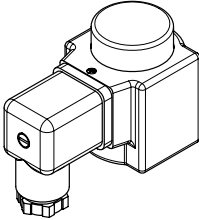
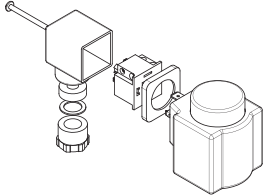
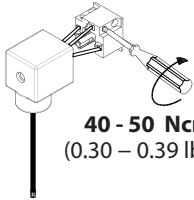
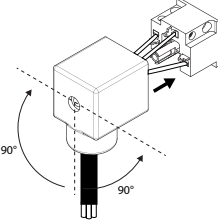
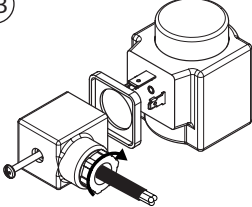
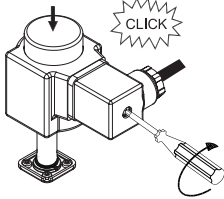
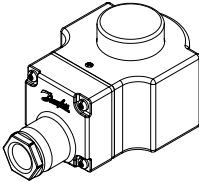
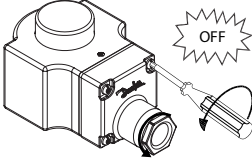
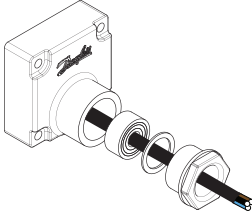
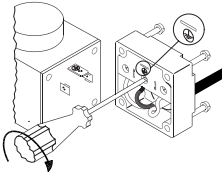
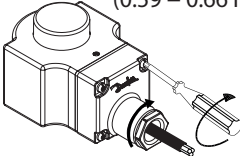
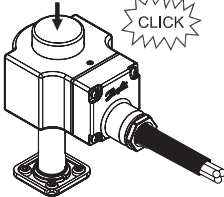


| | | | |
|--|---|--|-----|
| Type of control | 1 | | |
| Class of protection | Class I | | |
| Ambient temperature | See T _{ambient} on coil | | |
| Voltage variation | For voltage variation, see print on coil | | |
| Voltage tolerances | For voltage tolerances see datasheet, when ordering the coil | | |
| Humidity | Only none-conductive pollution occurs except that occasionally a temporary conductivity caused by condensation is to be expected. | | |
| Ball pressure test | 200 °C (392 °F) | | |
| Impulse withstand voltage | Terminal box | 4.0 kV at altitude <4000 m (13123 ft) | |
| | Cable | 4.0 kV at altitude <4000 m (13123 ft) | |
| | Spade | 4.0 kV at altitude <4000 m (13123 ft) | |
| | Plug | 4.0 kV at altitude <2000 m (6561 ft) | |
| Overvoltage category | III | | |
| Degree of protection IPXX Pollution degree PDX | Enclosure rating according to IEC standard 60529 Pollution degree according to EN60664-1 | IP67 plug | PD4 |
| | | IP65 plug IP20 protection cap IP00 spade | PD3 |
| Installation | Integrated control (picture A - D) Incorporated control (picture A - D) Independently mounted control (IP65 and IP67) (picture B - D) | | |
| Suitable cable and conductor size for terminal box | ø6.6 – ø11 mm (ø0.26 – ø0.43 in) 0.75 – 1.5 mm ² (21 – 15 AWG flexible cord) | | |
| Suitable cable for cable plug | See datasheet when ordering the coil | | |
| Moulded cable size | Ø6.6 mm (ø0.26 in) | | |
| Cable conductor size | 3 x 0.75 mm ² (3 x 0.001 in ²) | | |
| Moulded cable | The supply cord of this control cannot be replaced, if the cord is damaged. The control should be discarded | | |
| Plugs can be removed/mounted | 10 times | | |
| Surface temperature | Independently mounted controls should be sealed if the coil temperature exceed higher than 85°C | | |

- Only qualified personnel is allowed to install or maintain this product
- Disconnect the power when dismantling the coil
- Avoid direct exposure to alkaline conditions, use in neutral conditions is recommended
- If the coil is used as independently mounted control, the end-user shall use a plastic cable gland with strain relief
- Technical specifications are according to EN60730-1

Info for UK customers only: Danfoss Ltd., 22 Wycombe End, HP9 1NB, GB

Імпортёр: ТОВ з іі "Данфосс ТОВ" 04080, Київ 80, п/с 168, Україна

| | | |
|---|---|---|
| <p>(B)</p>  | <p>(6B)</p>  | <p>(7B)</p>  <p>40 - 50 Ncm (0.30 - 0.39 lb-ft)</p> |
| <p>(8B)</p>  | <p>(9B)</p>  <p>250 - 375 Ncm (1.85 - 2.77 lb-ft)</p> | <p>(10B)</p>  <p>50 - 60 Ncm (0.39 - 0.44 lb-ft)</p> |
| <p>(C)</p>  | <p>(6C)</p>  | <p>(7C)</p>  |
| <p>(8C)</p>  <p>40 - 50 Ncm (0.30 - 0.39 lb-ft)</p> | <p>(9C)</p>  <p>80 - 90 Ncm (0.59 - 0.66 lb-ft)</p> <p>320 - 370 Ncm (2.36 - 2.73 lb-ft)</p> | <p>(10C)</p>  |

Visit www.products.danfoss.com for further technical data
 Para más información, visite www.products.danfoss.es
 Rendez-vous sur le site www.products.danfoss.fr pour plus de données techniques