

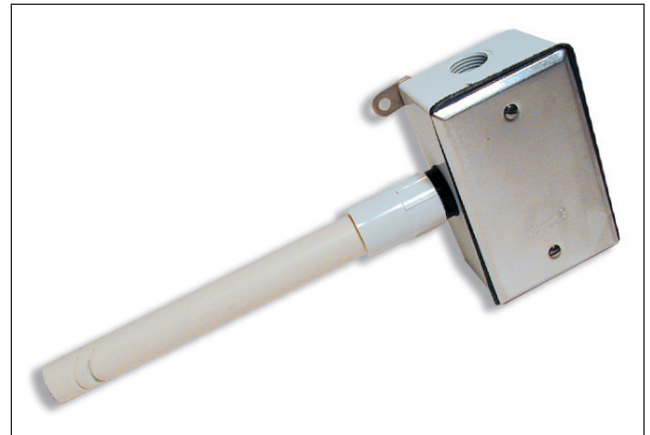
Installation Guide

080Z2167 Humidity Transducer

Identification

The 080Z2167 measures outdoor relative humidity. The 080Z2167 does not include a mounting box but it will mount in 1/2" conduit knock out.

The 080Z2167 is compatible with all Danfoss AK255 controllers as well as legacy controllers (AKC55, NC-25).

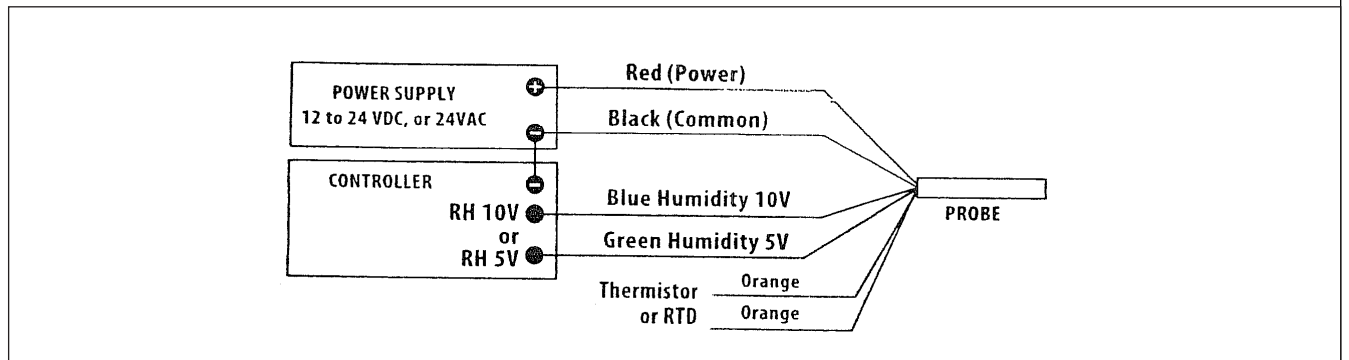


Specifications

Size:	8.45" X 0.7"	
Power requirement:	12 Vdc supplied by the I/O board	
Operating environment:	Humidity:	0 to 100% RH, non-condensing
	Ambient temperature:	-40°F to 122°F
RH Output:	0-5Vdc	

Installation and Inspection

The 080Z2167 should be mounted in a sheltered outdoor location, preferably out of direct sunlight. The probe must point downward when suspended from conduit. Note that the 080Z2167 must be unpowered when installing a new sensor or it will continuously read 100%. Interrupt sensor power to restart.



Ordering

Description	Part #:
Humidity Transducer	080Z2167

Danfoss Inc.
ELECTRONIC DIVISION
Baltimore, MD



The Product contains electrical components
And may not be disposed together with domestic waste.
Equipment must be separate collected with Electrical and Elec-
tronic waste. According to Local and currently valid legislation.