

# Patton Scroll Condensing Units



# Scroll Condensing Units



- Reliable and efficient Copeland Scroll Compressors.
- Generous wide finned, low noise level condensers factory supplied with protective fin and coil coating.
- Wide range of factory fitted accessories available.
- Specifically designed for Australasian conditions.

**SB** LOW / MEDIUM / HIGH

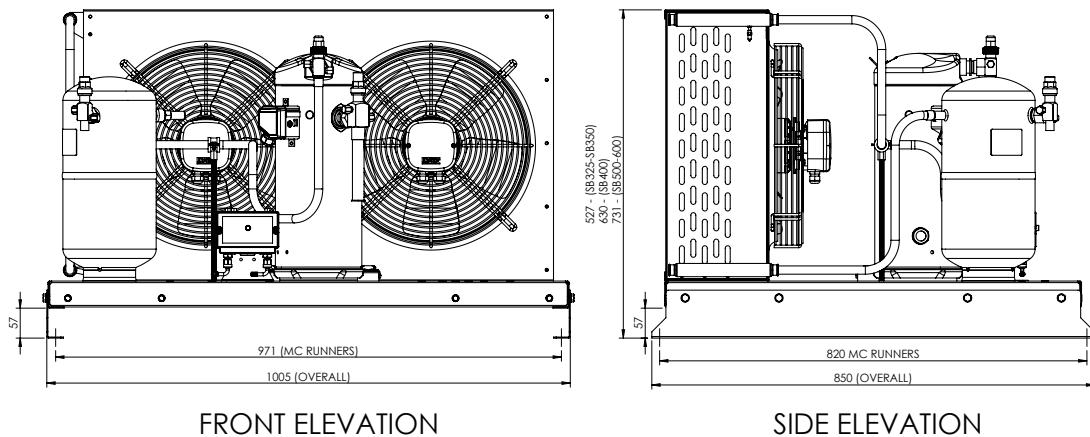
3.3 6.0 hp

**COPELAND™**

**CAPACITY (Watts) @ 32°C Ambient**

Model	Nom. hp	Refrigerant	Evaporating Temp °C								
			-25	-20	-15	-10	-5	0	5	10	15
SB325	3.25	R134a	-	-	-	3400	4200	5250	6250	7400	8800
		R449A	2640	3500	4280	5240	6330	7490	8780	-	-
		R404A	3270	3930	4730	5640	6550	7670	8770	-	-
SB350	3.5	R134a	-	-	-	4000	5000	5900	7200	8450	10000
		R449A	2870	4000	4900	5930	7170	8490	9960	-	-
		R404A	3680	4320	5200	6190	7180	8420	9610	-	-
SB400	4.0	R134a	-	-	-	4600	5900	7000	8300	9900	11000
		R449A	3310	4660	5620	6820	8190	9660	11280	-	-
		R404A	4210	5060	6170	7410	8780	10130	11770	-	-
SB500	5.0	R134a	-	-	-	5200	6650	8500	10100	12110	14350
		R449A	4700	6130	7360	8870	10690	12600	14760	-	-
		R404A	5200	6230	7630	9200	10750	12600	14380	-	-
SB600	6.0	R134a	-	-	-	6600	8200	10100	12200	14600	17000
		R449A	6250	7300	8500	10410	12350	14740	17300	-	-
		R404A	6400	7540	9080	10800	12560	14690	16810	-	-

## DIMENSIONS



NTS (mm)  
MC = Mounting Centres  
Accessories not shown

## TECHNICAL DATA

MODEL	COMPRESSOR					CONDENSER					RECEIVER	CONNECTIONS		Noise Level (dbA) (3)	Wgt (kg)
	Nom. hp	Model	Voltage	RLA Amps	LRA Amps	Model	Airflow (l/sec)	Fan Motors			Capacity (kg) (2)	Suction	Receiver Outlet		
								No. (1)	Tot. Watts	Tot. Amps					
SB325	3.3	ZB21KQE-TFD	380-420/3/50	7.2	40.0	NQ300	1460	2 x 350	290	1.4	6.2	3/4"	1/2"	64	83
SB350	3.5	ZB26KQE-TFD	380-420/3/50	8.8	46.0	NQ300	1460	2 x 350	290	1.4	6.2	3/4"	1/2"	64	84
SB400	4.0	ZB29KQE-TFD	380-420/3/50	7.1	50.0	NQ400	1510	2 x 350	290	1.4	6.2	3/4"	1/2"	64	98
SB500	5.0	ZB38KQE-TFD	380-420/3/50	9.0	65.0	NQ500	1470	2 x 350	290	1.4	8.8	7/8"	1/2"	65	109
SB600	6.0	ZB45KQE-TFD	380-420/3/50	9.1	74.0	NQ600	1550	2 x 400	520	3.0	8.8	7/8"	1/2"	68	114

### NOTE:

- All fans 220-240/1/50
- R404A pump down capacity @ 80% full for 32° C liquid temp.
- All noise level ratings are "free field" based at a distance of 3.0 mtrs from source and are given as a guide only.
- Electrically complies to AS/NZS 60335.2.89 : 2002 + A1-A3 (Selected clauses)

# Scroll Condensing Units



- Reliable and efficient Copeland Scroll Compressors.
- Generous wide finned, low noise level condensers factory supplied with protective fin and coil coating.
- Wide range of factory fitted accessories available.
- Specifically designed for Australasian conditions.

**SB** LOW / MEDIUM / HIGH

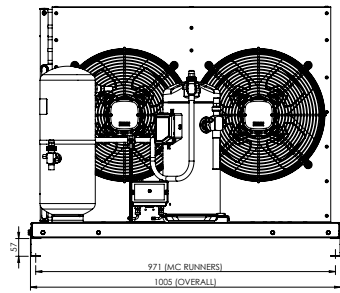
6.5 15 hp

**COPELAND™**

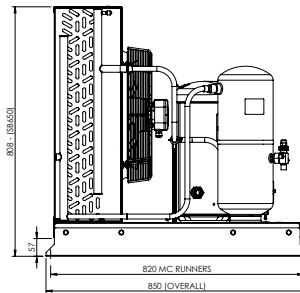
**CAPACITY (Watts) @ 32°C Ambient**

Model	Nom. hp	Refrigerant	Evaporating Temp °C								
			-25	-20	-15	-10	-5	0	5	10	15
SB650	6.5	R134a	-	-	-	7340	9060	10920	13190	15620	18210
		R449A	7150	8260	9760	11940	14210	16710	19600	-	-
		R404A	7380	8730	10490	12290	14480	16680	19410	-	-
SB800	8.0	R134a	-	-	-	8080	9930	12010	14480	17390	21210
		R449A	8200	9500	11080	13530	16050	18840	21990	-	-
		R404A	8430	9930	11910	14160	16380	18790	21380	-	-
SB900	9.0	R134a	-	-	-	9680	11980	14760	17860	21270	24010
		R449A	9540	10710	13280	15260	18260	21530	25170	-	-
		R404A	9780	11580	13950	16310	19200	22030	25110	-	-
SB1000	10.0	R134a	-	-	-	11230	13890	17050	20470	24610	28080
		R449A	11050	12670	15660	18050	21600	25560	29850	-	-
		R404A	11210	13360	15940	19090	22600	25970	29560	-	-
SB1200	12.0	R134a	-	-	-	12120	14770	19120	22765	27210	32010
		R449A	12950	14530	17510	20900	25000	30120	34950	-	-
		R404A	13100	15050	17700	21075	24950	29555	34175	-	-
SB1300	13.0	R134a	-	-	-	13770	17070	20960	25145	29890	34990
		R449A	14210	15540	19010	21770	26110	30720	35780	-	-
		R404A	14310	17680	20500	23280	27540	31560	35860	-	-
SB1500	15.0	R134a	-	-	-	16080	20050	24410	29345	35210	41510
		R449A	16100	18230	22420	25340	30700	36600	43040	-	-
		R404A	16700	20160	23870	27230	31800	36720	42130	-	-

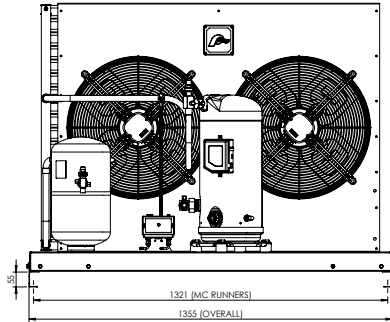
**DIMENSIONS**



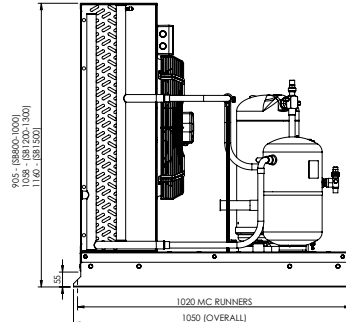
FRONT ELEVATION



SIDE ELEVATION



FRONT ELEVATION



SIDE ELEVATION

NTS (mm)  
MC = Mounting Centres  
Accessories not shown

**TECHNICAL DATA**

MODEL	COMPRESSOR					CONDENSER					RECEIVER	CONNECTIONS		Noise Level (dbA) (3)	Wgt (kg)
	Nom. hp	Model	Voltage	RLA Amps	MRA Amps	Model	Airflow (l/sec)	Fan Motor			Capacity (kg) (2)	Suction	Receiver Outlet		
								No. (1)	Tot. Watts	Tot. Amps					
SB650	6.5	ZB48KQE-TFD	380-420/3/50	13.6	101.0	NQ650	1670	2 x 400	520	3.0	8.8	7/8"	5/8"	62	123
SB800	8.0	ZB58KQE-TFD	380-420/3/50	16.4	95.0	NQ750	2550	2 x 500	940	4.0	10.4	1-1/8"	7/8"	62	166
SB900	9.0	ZB66KQE-TFD	380-420/3/50	17.5	111.0	NQ900	2360	2 x 500	940	4.0	10.4	1-3/8"	7/8"	63	193
SB1000	10.0	ZB76KQE-TFD	380-420/3/50	20.0	118.0	NQ1000	2360	2 x 500	940	4.0	10.4	1-3/8"	7/8"	64	198
SB1200	12.0	ZB88KQE-TFD	380-420/3/50	22.3	118.0	NQ1300	2950	2 x 500	940	4.0	10.4	1-3/8"	7/8"	64	226
SB1300	13.0	ZB95KQE-TFD	380-420/3/50	26.4	140.0	NQ1300	2950	2 x 500	940	4.0	10.4	1-3/8"	7/8"	67	258
SB1500	15.0	ZB114KQE-TFD	380-420/3/50	28.6	174.0	NQ1400	3610	2 x 500	940	4.0	20.0	1-5/8"	7/8"	67	275

**NOTES:**

- All fans 220-240/1/50
- R404A pump down capacity @ 80% full for 32° C liquid temp.
- All noise level ratings are "free field" based at a distance of 3.0 mtrs from source and are given as a guide only.
- Electrically complies to AS/NZS 60335.2.89 : 2002 + A1-A3 (Selected clauses)

The company reserves the right to make specification changes without notice. NZ 03/09/2020

# Scroll Condensing Units



- Reliable and efficient Copeland Scroll Compressors.
- Generous wide finned, low noise level condensers factory supplied with protective fin and coil coating.
- Wide range of factory fitted accessories available.
- Specifically designed for Australasian conditions.

**SBS** LOW / MEDIUM / HIGH

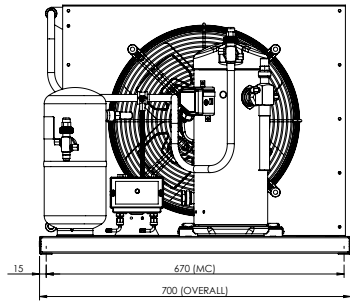
2.0 5.5 hp

**COPELAND™**

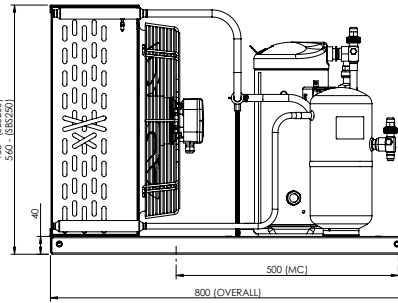
**CAPACITY (Watts) @ 32°C Ambient**

Model	Nom. hp	Refrigerant	Evaporating Temp °C								
			-25	-20	-15	-10	-5	0	5	10	15
SBS200	2.0	R134a	-	-	-	1750	2350	3100	4150	4850	5850
		R449A	1750	2400	2820	3470	4230	5020	5990	-	-
		R404A	2250	2650	3190	3800	4480	5240	5980	-	-
SBS250	2.5	R134a	-	-	-	2340	2950	3600	4400	5400	6400
		R449A	2050	2830	3390	4150	5020	5950	7080	-	-
		R404A	2600	3120	3760	4490	5300	6210	7230	-	-
SBS325	3.25	R134a	-	-	-	3400	4200	5250	6250	7400	8800
		R449A	2640	3500	4280	5240	6330	7490	8780	-	-
		R404A	3270	3930	4730	5640	6550	7670	8770	-	-
SBS350	3.5	R134a	-	-	-	4000	5000	5900	7200	8450	10000
		R449A	2870	4000	4900	5930	7170	8490	9960	-	-
		R404A	3680	4320	5200	6190	7180	8420	9610	-	-
SBS400	4.0	R134a	-	-	-	4600	5900	7000	8300	9900	11000
		R449A	3310	4660	5620	6820	8190	9660	11280	-	-
		R404A	4210	5060	6170	7410	8780	10130	11770	-	-
SBS500	5.0	R134a	-	-	-	5200	6650	8500	10100	12110	14350
		R449A	4700	6130	7360	8870	10690	12600	14760	-	-
		R404A	5200	6230	7630	9200	10750	12600	14380	-	-
SBS550	5.5	R134a	-	-	-	5500	7000	8850	10480	12560	15000
		R449A	5270	7030	8300	10020	12060	14180	16640	-	-
		R404A	6140	7250	8730	10400	12260	14130	16430	-	-

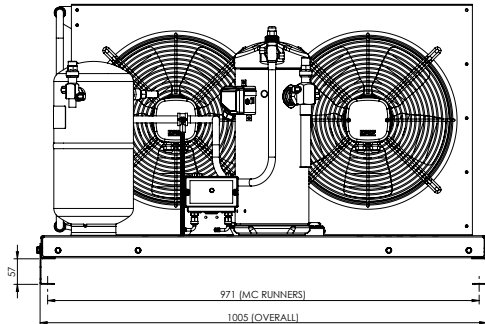
**DIMENSIONS**



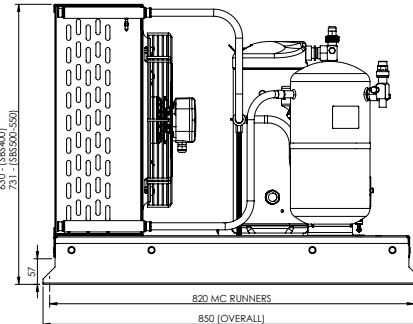
**FRONT ELEVATION**



**SIDE ELEVATION**



**FRONT ELEVATION**



**SIDE ELEVATION**

NTS (mm)  
MC = Mounting Centres  
Accessories not shown

**TECHNICAL DATA**

MODEL	COMPRESSOR					CONDENSER					RECEIVER	CONNECTIONS		Noise Level (dbA) (3)	Wgt (kg)
	Nom. hp	Model	Voltage	RLA Amps	LRA Amps	Model	Airflow (l/sec)	Fan Motors			Capacity (kg) (2)	Suction	Receiver Outlet		
								No. (1)	Tot. Watts	Tot. Amps					
SBS200	2.0	ZB15KQE-PFJ	220-240/1/50	12.8	58.0	NQ200	710	1 x 350	145	0.7	3.7	3/4"	3/8"	63	60
SBS250	2.5	ZB19KQE-PFJ	220-240/1/50	12.8	61.0	NQ250	980	1 x 400	260	1.5	3.7	3/4"	3/8"	64	65
SBS325	3.3	ZB21KQE-PFJ	220-240/1/50	13.8	82.0	NQ300	1460	2 x 350	290	1.4	6.2	3/4"	1/2"	64	83
SBS350	3.5	ZB26KQE-PFJ	220-240/1/50	20.0	97.0	NQ300	1460	2 x 350	290	1.4	6.2	3/4"	1/2"	64	84
SBS400	4.0	ZB29KQE-PFJ	220-240/1/50	23.5	114.0	NQ400	1510	2 x 350	290	1.4	6.2	3/4"	1/2"	64	99
SBS500	5.0	ZB38KQE-PFJ	220-240/1/50	23.3	142.0	NQ500	1470	2 x 350	290	1.4	8.8	7/8"	1/2"	65	109
SBS550	5.5	ZB42KQE-PFJ	220-240/1/50	29.8	150.0	NQ600	1550	2 x 400	520	3.0	8.8	7/8"	1/2"	65	113

**NOTES:**

- All fans 220-240/1/50
- R404A pump down capacity @ 80% full for 32° C liquid temp.
- All noise level ratings are "free field" based at a distance of 3.0 mtrs from source and are given as a guide only.
- Electrically complies to AS/NZS 60335.2.89 : 2002 + A1-A3 (Selected clauses)

The company reserves the right to make specification changes without notice. NZ 03/09/2020

# Scroll Condensing Units



- Reliable and efficient Copeland Scroll Compressors.
- Generous wide finned, low noise level condensers factory supplied with protective fin and coil coating.
- Wide range of factory fitted accessories available
- Specifically designed for Australasian conditions

**SK** LOW / MEDIUM

3 15 hp

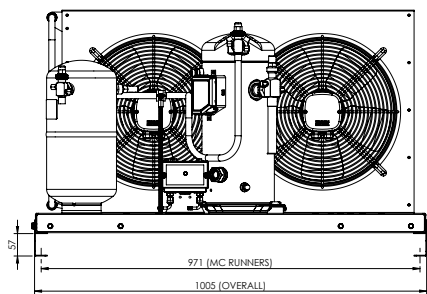
**COPELAND™**

**CAPACITY (Watts) @ 32°C Ambient**

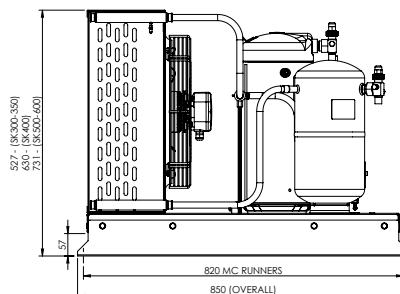
Model	Nom. hp	Refrigerant	Evaporating Temp °C									
			-40	-35	-30	-25	-20	-15	-10	-5	0	5
SK300	3.0	R449A	1430	1860	2340	2930	3580	4330	5190	6090	-	-
		R404A	1640	2080	2570	3160	3790	4520	5340	6180	7220	8240
SK350	3.5	R449A	1810	2310	2910	3590	4370	5260	6210	7290	-	-
		R404A	2070	2550	3180	3850	4600	5450	6340	7320	8400	9600
SK400	4.0	R449A	2040	2670	3380	4210	5160	6250	7480	8770	-	-
		R404A	2340	2990	3700	4530	5450	6510	7690	8870	10170	11550
SK500	5.0	R449A	2540	3250	4100	5140	6300	7530	9030	10590	-	-
		R404A	2910	3640	4480	5530	6560	7820	9240	10640	12180	13840
SK600	6.0	R449A	2940	3870	4880	6040	7360	8900	10650	12510	-	-
		R404A	3410	4320	5330	6470	7760	9230	10920	12600	14490	16590
SK750	7.5	R449A	3830	4940	6200	7670	9410	11290	13550	16000	-	-
		R404A	4440	5540	6800	8260	9940	11710	13900	16120	18560	21110
SK1000	10.0	R449A	4970	6500	8200	10210	12480	15150	17980	21150	-	-
		R404A	5680	7280	9000	10970	13240	15570	18400	21340	24480	27970
SK1300	13.0	R449A	6100	7870	9890	12250	15000	17940	21200	24890	-	-
		R404A	7170	8950	11020	13390	16120	19280	22460	26010	30480	34210
SK1500	15.0	R449A	7530	9630	12100	15010	18460	22110	26560	31310	-	-
		R404A	8620	10760	13250	16140	19430	22870	27070	31420	35560	40900



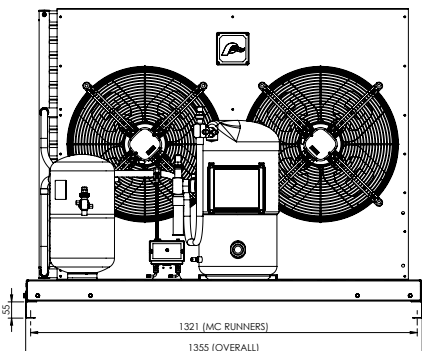
**DIMENSIONS**



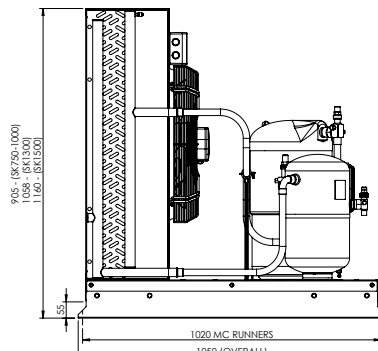
FRONT ELEVATION



SIDE ELEVATION



FRONT ELEVATION



SIDE ELEVATION

NTS (mm)  
MC = Mounting Centres  
Accessories not shown

**TECHNICAL DATA**

MODEL	COMPRESSOR (1)					CONDENSER					RECEIVER	CONNECTIONS		Noise Level (dba) (4)	Wgt (kg)
	Nom. hp	Model	Voltage	RLA Amps	LRA Amps	Model	Airflow (l/sec)	Fan Motors			Capacity (kg) (3)	Suction	Receiver Outlet		
								No. (2)	Tot. Watts	Tot. Amps					
SK300	3.0	ZF09KQE-TFD	380-420/3/50	6.0	40.0	NQ300	1460	2 x 350	290	1.4	6.2	7/8"	1/2"	61	65
SK350	3.5	ZF11KQE-TFD	380-420/3/50	7.1	46.0	NQ300	1460	2 x 350	290	1.4	6.2	7/8"	1/2"	61	65
SK400	4.0	ZF13KQE-TFD	380-420/3/50	8.0	51.5	NQ400	1510	2 x 350	290	1.4	6.2	7/8"	1/2"	61	80
SK500	5.0	ZF15KQE-TFD	380-420/3/50	10.0	64.0	NQ500	1470	2 x 350	290	1.4	8.8	7/8"	5/8"	62	95
SK600	6.0	ZF18KQE-TFD	380-420/3/50	12.5	74.0	NQ600	1550	2 x 400	520	3.0	8.8	7/8"	5/8"	66	100
SK750	7.5	ZF25KQE-TFD	380-420/3/50	13.7	102.0	NQ750	2550	2 x 500	940	4.0	10.4	1-1/8"	7/8"	67	160
SK1000	10.0	ZF34KQE-TFD	380-420/3/50	25.0	100.0	NQ1000	2360	2 x 500	940	4.0	10.4	1-3/8"	7/8"	69	175
SK1300	13.0	ZF41KQE-TFD	380-420/3/50	29.0	118.0	NQ1300	2950	2 x 500	940	4.0	10.4	1-3/8"	7/8"	69	220
SK1500	15.0	ZF49KQE-TFD	380-420/3/50	30.0	139.0	NQ1400	3610	2 x 500	940	4.0	20.0	1-5/8"	7/8"	69	260

**NOTES:**

- ZF compressors must be used with liquid injection kit (-Q accessory) for application within the shaded zone (refer capacity).
- 350mm, 400mm & 500mm Cond Fans - 220-240/1/50
- R404A pump down capacity @ 80% full for 32° C liquid temp.
- All noise level ratings are "free field" based at a distance of 3.0 mtrs from source and are given as a guide only.

The company reserves the right to make specification changes without notice. NZ 03/09/2020

# PATTON



The company reserves the right to make specification changes without notice. 03/09/2020

