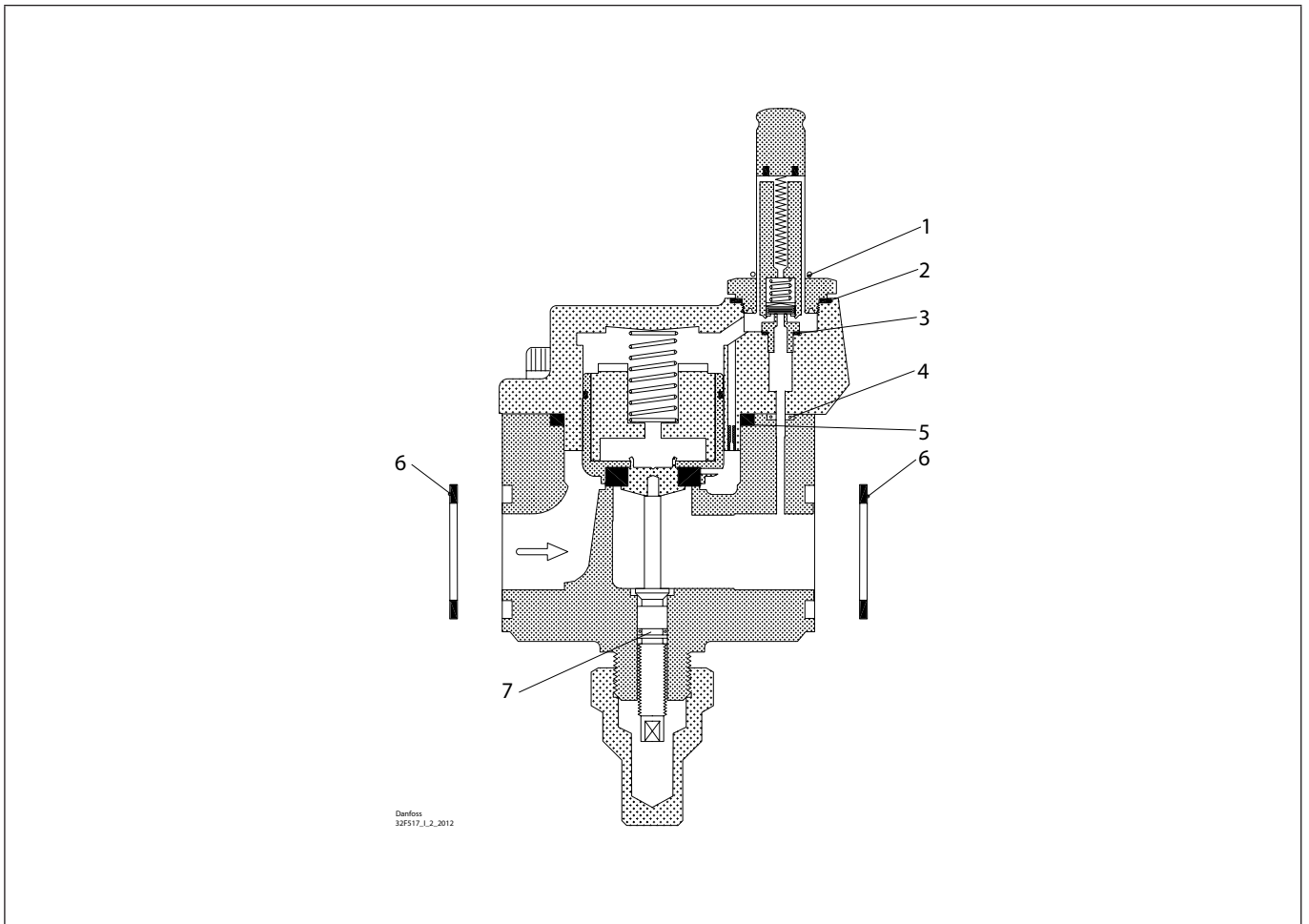


Installation guide – Spare parts and accessories

Inspection kit | Code number 032F2326
EVRA, size 25



Danfoss
32F517_1.2_2012

<p>1</p> <p>Total no. = 1</p>	<p>2</p> <p>Alu.</p> <p>Total no. = 1</p>	<p>3</p> <p>Alu.</p> <p>Total no. = 1</p>	<p>4</p> <p>Total no. = 1</p>	<p>5</p> <p>Rubber</p> <p>Total no. = 1</p>	<p>6</p> <p>Fibre</p> <p>Total no. = 2</p>
<p>7</p> <p>Total no. = 1</p>					