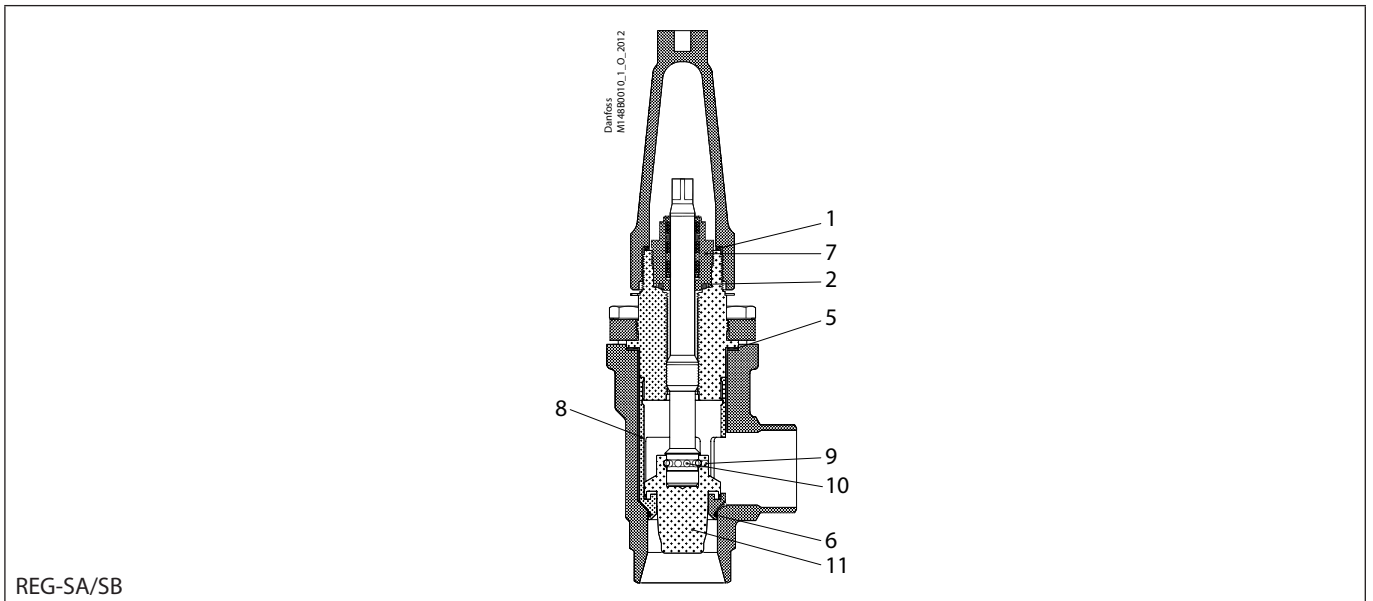


Installation guide – Spare parts and accessories

Overhaul kit | Code number 148B6176
REG-SA/SB size 25-40



<p>1</p> <p> = Nylon</p> <p> $\varnothing 37 \text{ mm}$ $\varnothing 1.46''$</p> <p>Total no. = 1</p>	<p>2</p> <p> = Alu.</p> <p> $\varnothing 19 \text{ mm}$ $\varnothing 0.75''$</p> <p>Total no. = 1</p>	<p>5</p> <p> = Fibre</p> <p> $\varnothing 54 \text{ mm}$ $\varnothing 2.13''$</p> <p>Total no. = 1</p>	<p>6</p> <p> =</p> <p> $\varnothing 31 \text{ mm}$ $\varnothing 1.22''$</p> <p>Total no. = 1</p>	<p>7</p> <p></p> <p>$\varnothing 28 \text{ mm}$ $\varnothing 1.1''$</p> <p>Total no. = 1</p>
<p>8</p> <p> $\varnothing 38.5 \text{ mm}$ $\varnothing 1.5 \text{ in.}$</p> <p>Total no. = 1</p>	<p>9</p> <p> M4</p> <p>Total no. = 1</p>	<p>10</p> <p> $\varnothing 3 \text{ mm}$ $\varnothing 0.118''$</p> <p>Total no. = 14</p>	<p>11</p> <p> A</p> <p>28 mm $1.09''$</p> <p>Total no. = 1</p>	<p>11</p> <p> B</p> <p>14 mm $0.55''$</p> <p>Total no. = 1</p>
<p>12</p> <p></p> <p>Total no. = 1</p>				

NOTE:

When replacing the packing gland (pos. 7) in REG-SA/B or REG the aluminium gasket (pos. 2) is needed.