



Xtra Brackets are quick and easy to install. Available in two finishes - heavy gauge electro galvanised powder coat & 304 stainless steel.

The brackets come complete with high quality wall fixings, anti vibration mounting pads and a liquid spirit level for a professional install.

Adjustable rear bolt allows up to 5° of correction against the wall.



Xtra

BRACKETS



+61 (8) 8186 4666

sales@aspenspumps.com.au

aspenspumps.com.au

Distributed by:

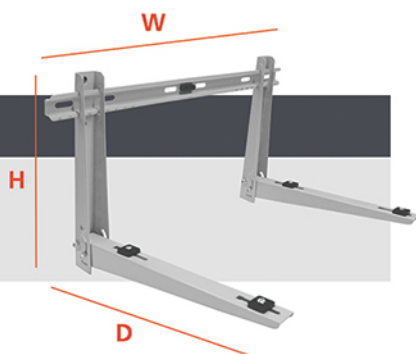


**ASPEN
PUMPS**
ASIA PACIFIC



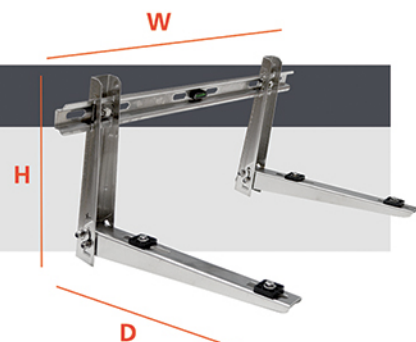
Wall Bracket Powder Coated

PART NO.	MAX LOAD	DIMENSIONS (mm)
B6381	100kg/450mm	D450 x W800 x H350
B6382	150kg/550mm	D550 x W850 x H450



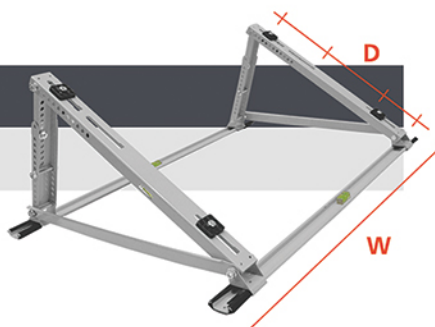
Wall Bracket 304 Stainless Steel

PART NO.	MAX LOAD	DIMENSIONS (mm)
B6386	100kg/450mm	D450 x W800 x H350
B6387	150kg/550mm	D550 x W850 x H450



Sloped Roof Bracket Powder Coated (0-45°)

PART NO.	MAX LOAD	DIMENSIONS (mm)
B6388	150kg	W1000 x D220-500



Sloped Roof Bracket 304 Stainless Steel (0-45°)

PART NO.	MAX LOAD	DIMENSIONS (mm)
B6389	150kg	W1000 x D220-500

