



HENRY GROUP

Henry Oil Separator Range

UP TO 99% HELICAL SEPARATION EFFICIENCY

LOW PRESSURE DROP
NO BLOCKED ELEMENTS

MOST MODELS NOW APPROVED FOR
USE WITH HCFC, HFC, R290 & A2L GASES
SH MODELS NOW WITH MWP OF 48 BAR

FEATURES



CLEANABLE / REPLACEABLE
OIL FLOAT ASSEMBLIES

TYPICAL 80% SEPARATION EFFICIENCY
WITH CONVENTIONAL SEPARATORS

INTEGRATED OIL RESERVOIR



www.henry-group.net

INTELLIGENT MANUFACTURING. INTELLIGENT PRODUCTS.

HELICAL OIL SEPARATORS

The function of a Helical Oil Separator is to efficiently remove oil from the discharge gas and return it to the compressor, either directly or indirectly. This helps maintain the compressor crankcase oil level and raises the efficiency of the system by preventing excessive oil circulation.

A higher level of efficiency is to be expected compared to a conventional type oil separator.

Applications

Helical oil separators can be used in a wide variety of applications. Common applications include multi-compressor racks and remote condensing units.

Helical oil separators are intended for Low Pressure Oil Management Systems. These products are designed for use with scroll and reciprocating type compressors. They are not recommended for screw or rotary vane compressors.

The standard product range is designed for use with HCFC, HFC, R290 & A2L gases and their associated oils, compatible with the vessel materials. Note that the S-5411 and S-5414 models are not currently suitable for use with R290 and A2L gases. The SN range is additionally suitable for use with ammonia. The SH high pressure range is intended for use with R410A, sub-critical CO₂ and A2L gases compatible with the vessel materials.

Please contact Henry Technologies for new or special applications.

How it works

Upon separator entry, refrigerant gas containing oil in aerosol form encounters the leading edge of the helical flighting. The gas/oil mixture is centrifugally forced along the spiral path of the helix causing heavier oil particles to spin to the perimeter, where impingement with a screen layer occurs. The screen layer functions as both an oil stripping and draining medium. Separated oil flows downward along the boundary of the shell through a baffle and into an oil collection chamber at the bottom of the separator.

The specially engineered baffle isolates the oil chamber and eliminates oil re-entrainment by preventing turbulence. The virtually oil free refrigerant gas then exits through a second screen fitting just below the lower edge of the helical flighting. A float activated oil return needle valve allows the separated oil to return to the compressor crankcase or oil reservoir. There is a permanent magnet positioned at the bottom of the oil collection chamber to capture any system metal debris, which could impair the operation of the needle valve. With proper selection, an oil separation efficiency of up to 99% can be achieved.

Main Features

- High oil separation efficiency - up to 99%
- Low pressure drop
- No blocked elements because of too much oil in the system
- No oil blow-out at start up from oil left in a coalescing element
- Cleanable/replaceable oil float assemblies for S-5288, SN-52* and S-54* models



Technical Specification

For all models excluding SH series:

Allowable operating pressure = 0 to 31 barg
Allowable operating temperature = -10°C to +130°C

For SH models:

Allowable operating pressure = 0 to 48 barg
Allowable operating temperature = -10°C to +130°C

Materials of Construction

The main components; shell, end caps and connections are made from carbon steel. The oil float is made from stainless steel. The needle valve seat is made from either brass or steel, dependent on model.

STANDARD RANGE													
Part No	Conn Size (inch)	Dimensions (mm)							Mounting details	Drawing reference	Weight (kg)	Pre-charge qty (l)	CE Cat
		Ø A	B	C	D	E	F	Ø G					
S-5180	1/4 ODS	64	162	44	43	N/A	17.5	N/A	3/8"	fig.1	1.3	0.11	SEP
S-5181	3/8 ODS	64	191	44	71	N/A	16.5	N/A	3/8"	fig.1	1.4	0.11	SEP
S-5182	1/2 ODS	102	330	70	64	N/A	60	N/A	M10	fig.2	3.6	0.6	Cat II
S-5185	5/8 ODS	102	381	70	64	N/A	60	N/A	M10	fig.2	4.1	0.6	Cat II
S-5187	7/8 ODS	102	433	76	77	N/A	60	N/A	M10	fig.2	4	0.6	Cat II
S-5188	1 1/8 ODS	102	483	76	78	N/A	60	N/A	M10	fig.2	4	0.6	Cat II
S-5190	1 3/8 ODS	152	385	107	91	N/A	60	N/A	M10	fig.2	8.8	1.45	Cat II
S-5192	1 5/8 ODS	152	429	109	97	N/A	60	N/A	M10	fig.2	9	1.45	Cat II
S-5194	2 1/8 ODS	152	437	111	105	N/A	60	N/A	M10	fig.2	9	1.45	Cat III
S-5288	1 1/8 ODS	102	614	76	78	97	N/A	120.7	2 x Ø14mm holes	fig.3	7.4	0.71	Cat II
SN-5290	1 3/8 ODS	152	510	108	92	101	N/A	111	2 x Ø14mm slots	fig.3	10.8	0.71	Cat II
SN-5292	1 5/8 ODS	152	556	108	99	101	N/A	111	2 x Ø14mm slots	fig.3	11.7	0.71	Cat II
SN-5294	2 1/8 ODS	152	566	111	107	101	N/A	111	2 x Ø14mm slots	fig.3	11.9	0.71	Cat II
S-5411	1 5/8 ODS	219	650	148	164	100	N/A	168	3 x Ø14mm slots	fig.4	26	0.7	Cat II
S-5412	2 1/8 ODS	203	650	137	164	102	N/A	162	3 x Ø14mm slots	fig.4	20	0.71	Cat III
S-5413	2 5/8 ODS	256	758	166	202	102	N/A	210	3 x Ø14mm slots	fig.4	30	0.71	Cat III
S-5414	3 1/8 ODS	324	831	215	229	100	N/A	273	3 x Ø14mm slots	fig.4	56	0.7	Cat III

HIGH PRESSURE RANGE													
Part No	Conn Size (inch)	Dimensions (mm)							Mounting details	Drawing reference	Weight (kg)	Pre-charge qty (l)	CE Cat
		Ø A	B	C	D	E	F	Ø G					
SH-5182	1/2 ODS	102	352	70	81	N/A	60	N/A	M10	fig.2	5.7	0.6	Cat II
SH-5185/P	5/8 ODS	102	402	70	81	N/A	60	N/A	M10	fig.2	6.5	0.6	Cat II
SH-5187/P	7/8 ODS	102	453	76	94	N/A	60	N/A	M10	fig.2	7.1	0.6	Cat II
SH-5188/P	1 1/8 ODS	102	500	76	93	N/A	60	N/A	M10	fig.2	7.4	0.6	Cat II
SH-5190/P	1 3/8 ODS	152	570	108	135	98	N/A	112	3 x Ø14mm slots	fig.5	14.5	1.45	Cat III
SH-5192	1 5/8 ODS	152	615	108	140	99	N/A	112	3 x Ø14mm slots	fig.5	15	1.45	Cat III
SH-5194	2 1/8 ODS	152	623	111	145	99	N/A	112	3 x Ø14mm slots	fig.5	16	1.45	Cat III

Note: 'P' Models include a 3/8" NPT fitting for PRV. 'P' models are the standard stock models.

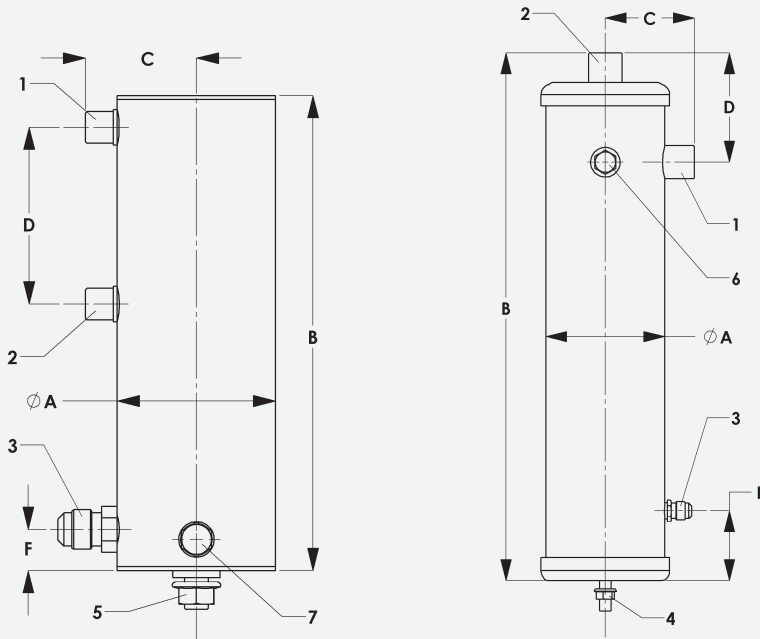


Fig. 1

Fig. 2

- 1** Inlet
- 2** Outlet
- 3** Oil return, 3/8 SAE Flare
- 4** M10 stud and nut
- 5** 3/8 NPT stud and nut
- 6** 3/8 NPT fitting ('P' models only)
- 7** 1/8 NPT drain port & plug (protrudes 19mm from side of shell)

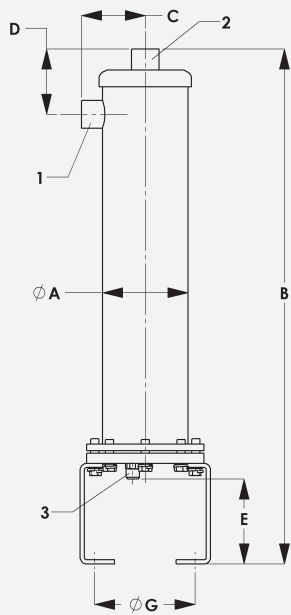


Fig. 3

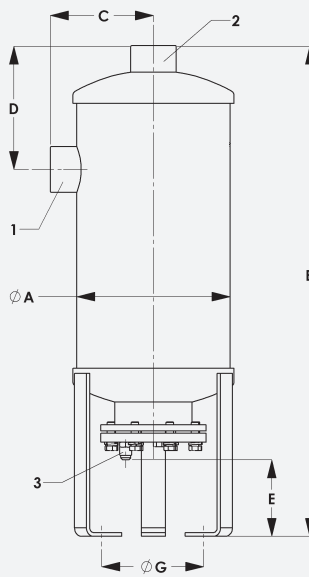


Fig. 4

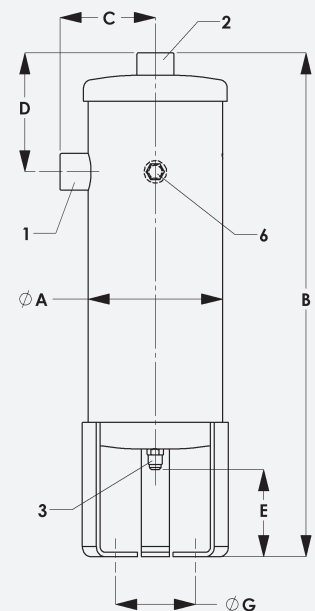


Fig. 5

HELICAL OIL SEPARATORS

Performance data

This table provides a summary of the kW capacity of each separator for fixed evaporating and condensing temperatures. This table can be used as a quick reference guide. However, the Selection Guidelines are recommended for helical separator sizing.

Selection Guidelines

The most important parameter for selection is the discharge volumetric flow rate, expressed in m³/hr. This is the calculated volume flow rate at entry to the oil separator. It is not to be confused with the compressor displacement or swept volume.

A quick method is to use the selection graphs. These graphs have been compiled for the common refrigerants R404A/R507A, R134a, R407F, R448A/R449A, R450A, R407A and R407C.

Graphs for other refrigerants are available on request.

The graphs are based on a simplified refrigeration cycle and hence the corresponding calculation of discharge volume flow rate is approximate. Although approximate, this method of selection has been used successfully for many years for standard refrigeration systems.

Where a higher degree of accuracy is required to calculate the m³/hr, the flow rate calculation method is recommended. The flow rate calculation method is also recommended for CO₂ cascade and special applications.

HELICAL OIL SEPARATORS							
Part No	Capacity in kW of refrigeration at nominal evaporator temperature						Maximum discharge volume (m ³ /hr)
	R404A/507A		R134a		R407F		
	-40°C	5°C	-40°C	5°C	-40°C	5°C	
S-5180	2.6	3.5	1.8	2.6	3.4	4	1.3
S-5181	3.5	5.3	2.6	3.5	4.5	5.2	1.7
S-5182, SH-5182	5.3	7	3.5	5.3	6.8	8	2.6
S-5185, SH-5185P	14.1	19.4	10.6	14.1	17.8	20.8	6.8
S-5187, SH-5187P	23	30	15.8	19.4	26.7	31.3	10.2
S-5188, S-5288, SH-5188P	29.8	38.7	21.1	26.4	35.6	41.7	13.6
S-5190, SN-5290 & SH-5190P	42.2	52.8	28.2	35.2	49	57.3	18.7
S-5192, SN-5292 & SH-5192	52.8	66.9	38.7	45.8	62.4	72.9	23.8
S-5194, SN-5294, S-5411 & SH-5194	84.4	109	63.4	73.8	98	115	37.4
S-5412	109	144	77.4	95	129	151	49.3
S-5413	225	292	162	197	267	312	102
S-5414	352	461	253	310	419	490	159.8

Notes: All data is for a 38°C condensing temperature, 18°C suction temperature and on connection size being the same as the compressor discharge valve

Helical Separator Selection

Using the Graphs

To use the selection graphs, the refrigerant type, maximum refrigeration capacity, minimum refrigeration capacity, evaporating temperature and the condensing temperature is required.

Example

Refrigerant R404A

Maximum refrigeration capacity = 40 kW

Minimum refrigeration capacity = 25 kW

Evaporating temperature = -35°C

Condensing temperature = +40°C

From the R404A graph, follow the -35°C evaporator temperature line to the intersection of the 40°C condensing temperature line. Extend a line horizontally from this point to the m³/hr/kW factor. Multiply this factor by the maximum and minimum refrigeration capacities to compute the maximum and minimum discharge volume flow rates.

From the R404A graph, the [m³/hr/kW factor] = 0.42

Therefore:

Maximum discharge volume flow rates = (0.42 x 40) = 16.8 m³/hr

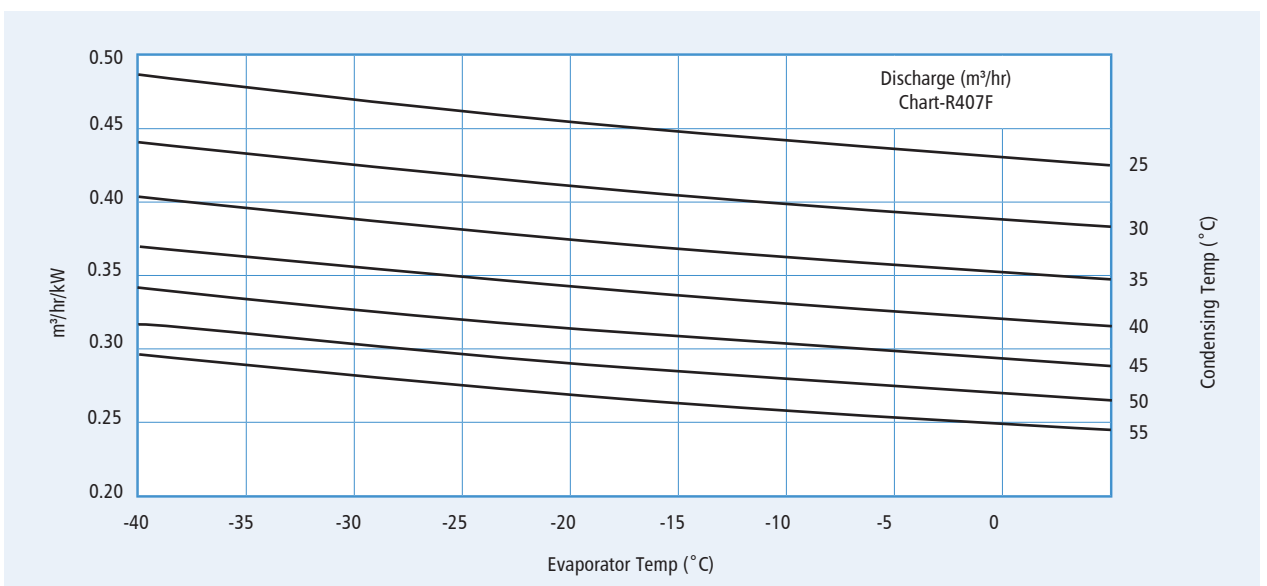
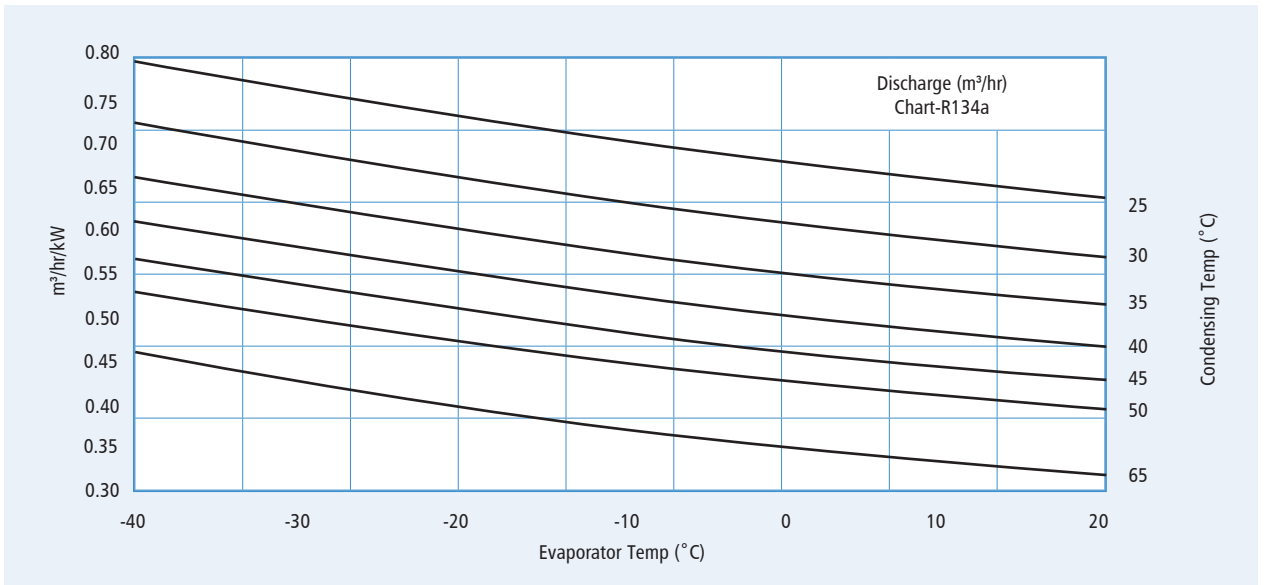
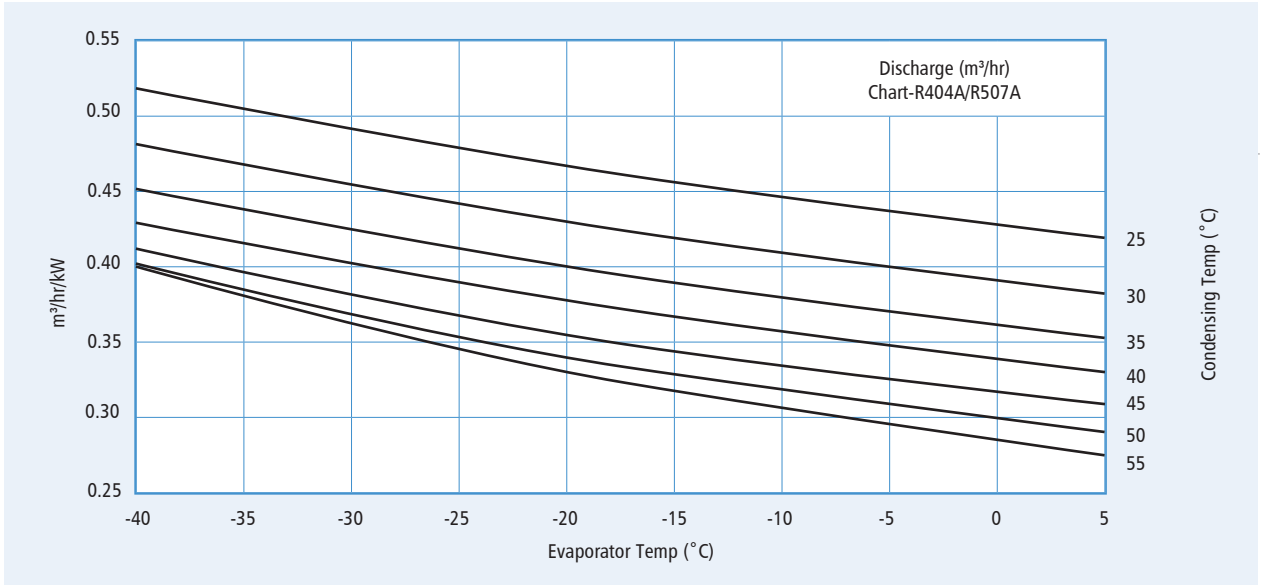
Minimum discharge volume flow rates = (0.42 x 25) = 10.5 m³/hr

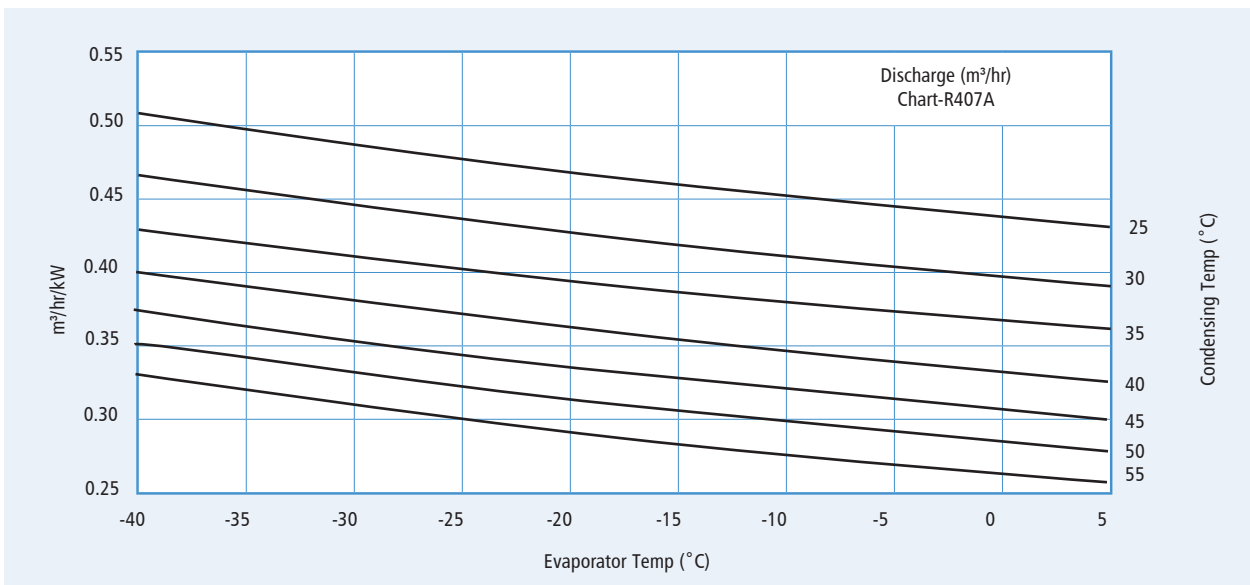
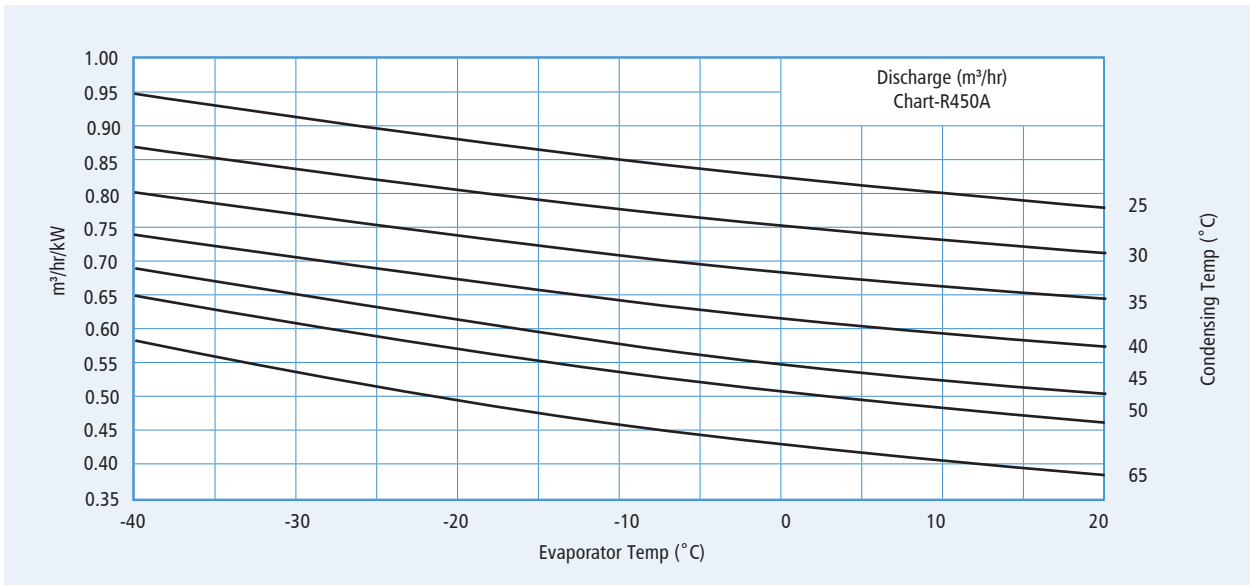
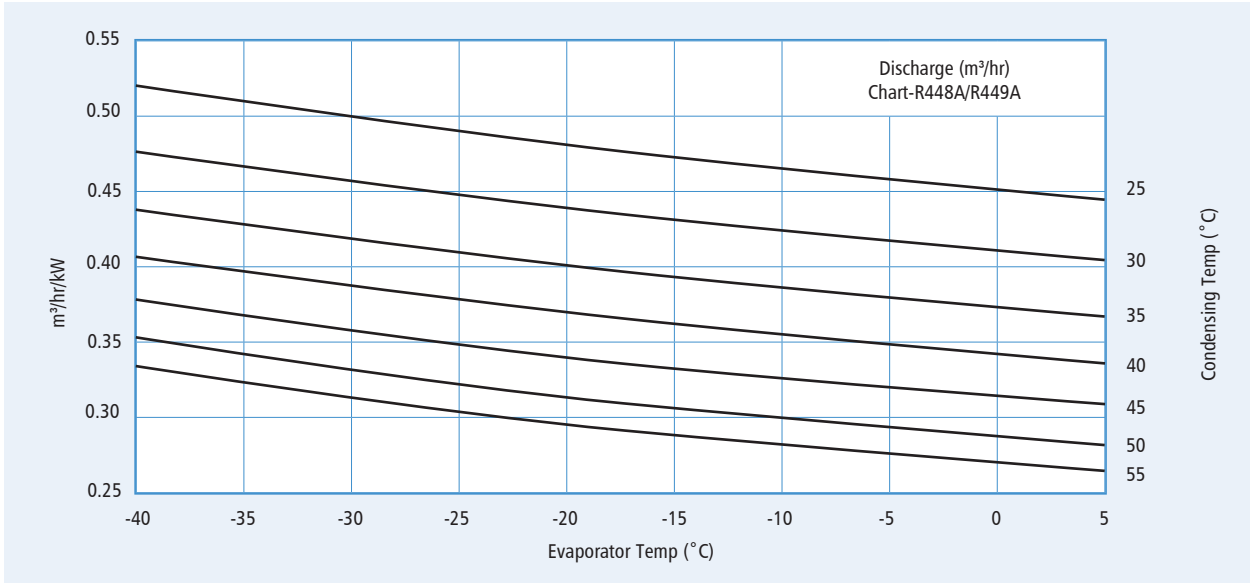
The maximum and minimum m³/hr figures should be compared with the rated capacity of the helical separator. Refer to the Performance Data Table for the rated capacities.

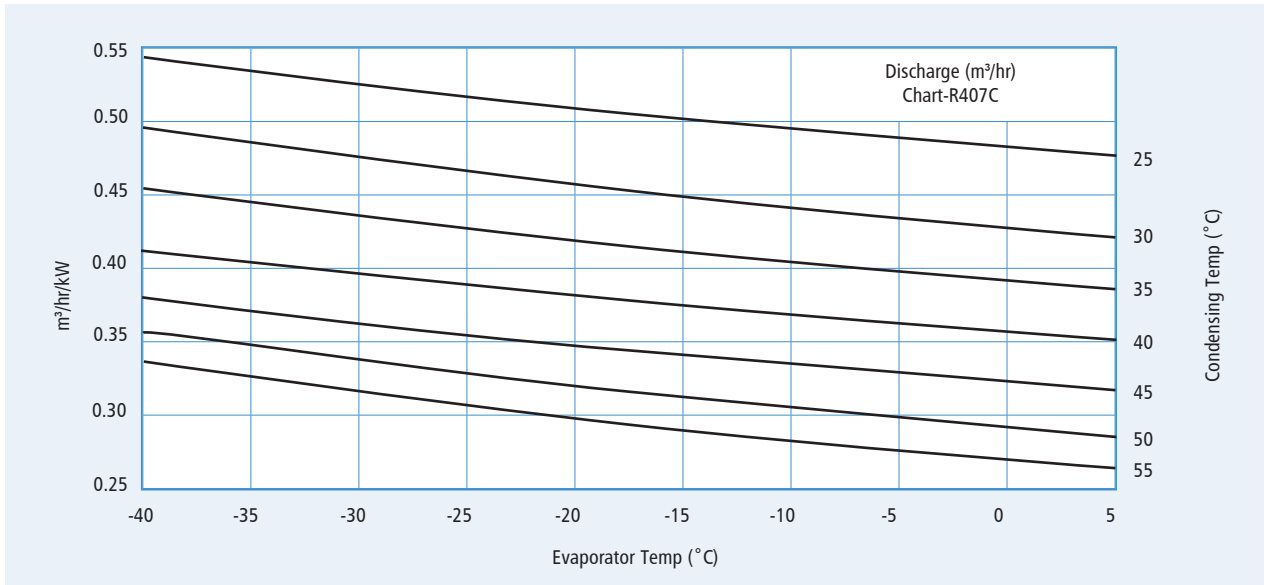
The general recommendation is that the calculated maximum flow should not exceed the rated capacity of the separator. Also, the minimum flow should not be below 25% of the rated capacity. Using these m³/hr figures, the recommended helical separator selection is either model S-5190 or SN-5290, both with a rated capacity of 18.7 m³/hr. The final selection depends on whether or not the user requires a separator model with a removable/cleanable oil float assembly.

Additional notes on selection:

1. The 25% of minimum rated recommendation capacity rule is to optimise efficiency. Below this load factor, the efficiency of the separator will decrease. On systems with extreme unloading conditions, one separator per compressor should be used rather than one separator for a common discharge line.
2. Understanding the system refrigeration capacity and the percentage of full and low load run times can also be helpful in selecting the separator.
3. In cases where the maximum discharge has been exceeded by only a minimal amount and the system has unloading characteristics, select the smaller separator. It is not recommended to oversize.







HELICAL OIL SEPARATOR-RESERVOIRS

The function of a Helical Oil Separator-Reservoir is to remove oil from the discharge gas and return it to the compressor. This helps maintain the compressor crankcase oil level and raises the efficiency of the system by preventing excessive oil circulation.

Applications

Helical oil separator-reservoirs can be used in a variety of applications. Common applications include multi-compressor racks. Helical oil separator-reservoirs are intended for High Pressure Oil Management Systems.

These products are designed for use with scroll and reciprocating type compressors. They are not recommended for screw or rotary vane compressors. The range is designed for use with HFC refrigerants, along with their associated oils.

The S-5387-6L, S-5388-6L and S-5388 models are also suitable for use with A2L gases compatible with the vessel materials.

Please contact Henry Technologies for new or special applications.

How it works

Upon separator entry, refrigerant gas containing oil in aerosol form encounters the leading edge of the helical flighting. The gas/oil mixture is centrifugally forced along the spiral path of the helix causing heavier oil particles to spin to the perimeter, where impingement with a screen layer occurs.

The screen layer functions as both an oil stripping and draining medium. Separated oil flows downward along the boundary of the shell through a baffle and into an oil collection chamber at the bottom of the separator.

The specially engineered baffle isolates the oil chamber and eliminates oil re-entrainment by preventing turbulence. The virtually oil free refrigerant gas then exits through a screen fitting just below the lower edge of the helical flighting.

Oil separator-reservoirs do not have an oil float assembly. Instead, a dip tube is located in the oil chamber that feeds oil to the compressor, via a rotalock valve. With proper selection, an oil separation efficiency of up to 99% can be achieved.

Main Features

- High oil separation efficiency - up to 99%
- Low pressure drop
- No blocked elements because of too much oil in the system
- No oil blow-out at start up from oil left in a coalescing element
- Integrated oil reservoir



Technical Specification

Allowable operating pressure = 0 to 31 barg
 Allowable operating temperature = -10°C to +130°C

Materials of Construction

The main components; shell, end caps and connections are made from carbon steel.

HELICAL OIL SEPARATOR-RESERVOIRS														
Part No	Conn Size (inch)	Dimensions (mm)								Mounting details	Drawing reference	Oil Capacity (l)	Weight (kg)	CE Cat
		ØA	B	C	D	E	F	G	ØH					
S-5387-6L	7/8 ODS	102 & 152	699	76	78	50	222	201	108	3 x Ø14mm slots	fig.1	5.2	12.1	Cat III
S-5388-6L	1 1/8 ODS	102 & 152	681	76	78	49	207	201	108	3 x Ø14mm slots	fig.2	5.2	11.8	Cat III
S-5388	1 1/8 ODS	102 & 152	812	76	78	50	222	311	108	3 x Ø14mm slots	fig.3	7	14.1	Cat III
S-5390	1 3/8 ODS	152	851	103	91	51	222	311	108	3 x Ø14mm slots	fig.4	7	16	Cat II
S-5392	1 5/8 ODS	152	902	108	100	51	222	311	108	3 x Ø14mm slots	fig.4	7	17	Cat II
S-5394	2 1/8 ODS	152	902	111	107	48	222	311	108	3 x Ø14mm slots	fig.4	7	17	Cat II
S-5302	2 1/8 ODS	203	648	137	124	N/A	127	108	278	3 x Ø14mm slots	fig.5	7.5	21	Cat II
S-5423-CE	2 5/8 ODS	273	790	183	201	N/A	161	173	337	3 x Ø14mm slots	fig.6	14.8	52	Cat III
S-5424-CE	3 1/8 ODS	324	784	215	229	N/A	99	166	388	3 x Ø14mm slots	fig.6	17	63	Cat III

Performance data

This table provides a summary of the kW capacity of each separator for fixed evaporating and condensing temperatures. This table can be used as a quick reference guide. However, the Selection Guidelines are recommended for helical separator sizing.

Part No	Capacity in kW of refrigeration at nominal evaporator temperature						Maximum discharge volume (m ³ /hr)
	R404A/507		R134a		R407F		
	-40°C	5°C	-40°C	5°C	-40°C	5°C	
S-5387-6L	23	30	15.8	19.4	26.7	31.3	10.2
S-5388-6L, S-5388	29.8	38.7	21.1	26.4	35.6	41.7	13.6
S-5390	42.2	52.8	28.2	35.2	49	57.3	18.7
S-5392	52.8	66.9	38.7	45.8	62.4	72.9	23.8
S-5394	84.4	109	63.4	73.8	98	115	37.4
S-5302	109	144	77.4	95	129	151	49.3
S-5423-CE	225	292	162	197	267	312	102
S-5424-CE	352	461	253	310	419	490	159.8

Notes:
1. All data is for a 38°C condensing temperature, 18°C suction temperature and on connection size being the same as the compressor discharge valve

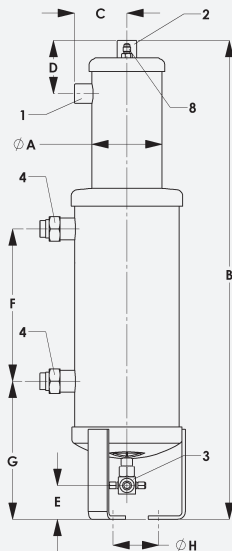


Fig. 1

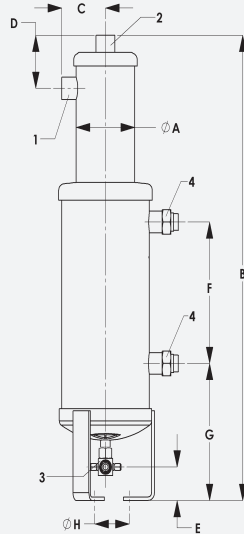


Fig. 2

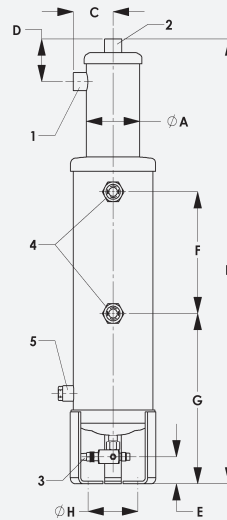


Fig. 3

- 1 Inlet
- 2 Outlet
- 3 Oil return, Rotalock valve, 3/8 SAE Flare
- 4 Sight glass
- 5 1/2 FPT connection
- 6 Oil return, 3/8 ODS
- 7 M10 stud and nut
- 8 1/4 SAE Flare connection

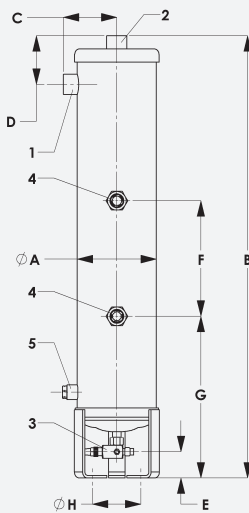


Fig. 4

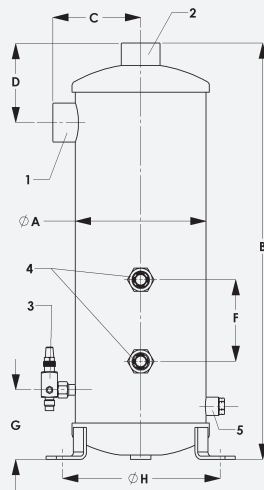


Fig. 5

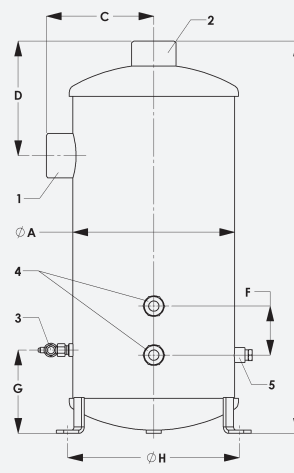


Fig. 6

Selection Guidelines

Refer to Helical Oil Separator Section for guidance. The same rules apply.

Installation – Main issues

1. Oil separator reservoirs are not 100% efficient, so installing this product should not be viewed as a replacement for oil traps, suction line accumulators or good oil return piping practices.
2. Install the unit vertically and reasonably close to the compressor. Proper piping practice should be adopted to prevent excessive loads or vibration at the inlet and outlet connections. The separator must be properly supported at the mounting feet interface.
3. A check valve should be located downstream of the outlet connection. This check valve is to prevent liquid refrigerant migrating from the condenser.

CONVENTIONAL OIL SEPARATORS

The function of a Conventional Oil Separator is to remove oil from the discharge gas and return it to the compressor, either directly or indirectly. This helps maintain the compressor crankcase oil level and raises the efficiency of the system by preventing excessive oil circulation.

Applications

Conventional oil separators can be used in a wide variety of applications.

Common applications include multi-compressor racks and remote condensing units.

Conventional oil separators are intended for Low Pressure Oil Management Systems, using HCFC, HFC, R290 & A2L gases and their associated oils, compatible with the vessel materials.

These separators are designed for use with scroll and reciprocating type compressors. They are not recommended for screw or rotary vane compressors.

How it works

Oil-laden refrigerant gas from the compressor enters the separator and passes through an inlet screen. On entering the separator, the velocity of the gas is reduced. This reduction in velocity causes a change in momentum. The fine oil particles collide with one another to form heavier particles, which adhere to the inlet screen and inside wall of the separator.

The gas then passes through an outlet screen where final separation takes place. Refrigerant gas, with the majority of oil removed, then exits the separator.

The separated oil falls to the bottom of the separator where a float operated needle valve returns the oil to the crankcase or oil reservoir in the same way as the helical oil separator.

With proper selection, oil separation efficiency is typically 80%.

Main Features

- Low pressure drop
- Cleanable/replaceable oil float assemblies for S-19* models

Technical Specification

Allowable operating pressure = 0 to 31 barg

Allowable operating temperature = -10°C to +130°C

Materials of Construction

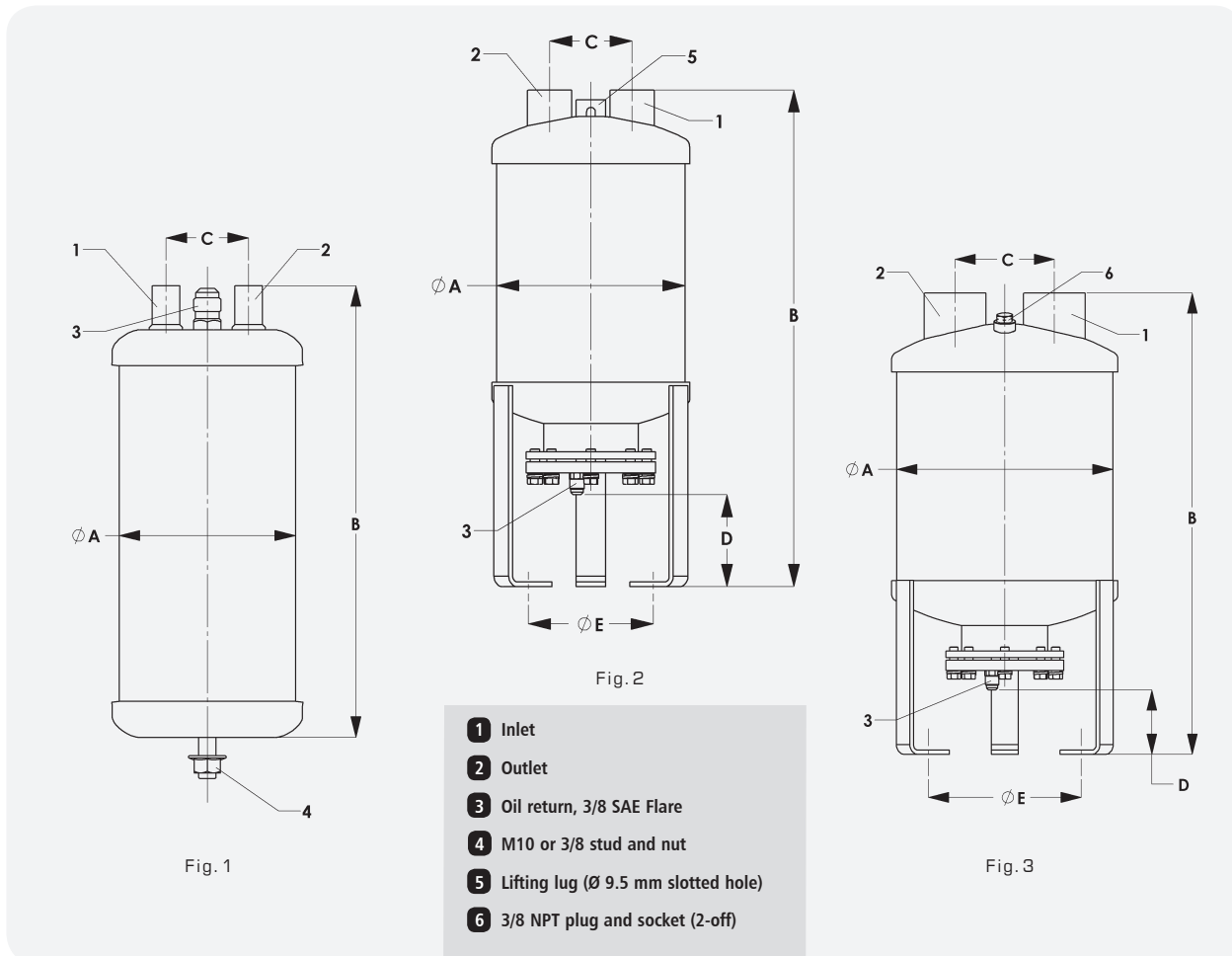
The main components; shell, end caps and connections are made from carbon steel. The oil float is made from stainless steel. The needle valve seat is made from steel.



CONVENTIONAL OIL SEPARATORS

Part No	Conn Size (inch)	Dimensions (mm)					Mounting details	Drawing reference	Weight (kg)	Pre-charge qty (l)	CE Cat
		Ø A	B	C	D	E					
S-5580	1/4 ODS	102	210	48	N/A	N/A	M10	fig.1	2.5	0.4	Cat I
S-5581	3/8 ODS	102	208	48	N/A	N/A	M10	fig.1	2.4	0.4	Cat I
S-5582	1/2 ODS	102	260	48	N/A	N/A	M10	fig.1	2.9	0.4	Cat I
S-5585	5/8 ODS	102	362	48	N/A	N/A	M10	fig.1	3.6	0.4	Cat II
S-5587	7/8 ODS	102	451	48	N/A	N/A	M10	fig.1	4.2	0.4	Cat II
S-5588	1 1/8 ODS	102	532	48	N/A	N/A	M10	fig.1	4.8	0.4	Cat II
S-5590	1 3/8 ODS	102	539	48	N/A	N/A	M10	fig.1	4.9	0.4	Cat II
S-5690	1 3/8 ODS	152	397	76	N/A	N/A	3/8	fig.1	7.9	0.9	Cat II
S-5692	1 5/8 ODS	152	473	76	N/A	N/A	3/8	fig.1	8.9	0.9	Cat III
S-5694	2 1/8 ODS	152	486	76	N/A	N/A	3/8	fig.1	9.3	0.9	Cat III
S-1901/P	1 5/8 ODS	203	534	89	99	162	3 x Ø 14mm slots	fig.2	16	0.7	Cat III
S-1902/P	2 1/8 ODS	203	534	89	99	162	3 x Ø 14mm slots	fig.2	16	0.7	Cat III
S-1903/P	2 5/8 ODS	256	545	118	76	213	3 x Ø 14mm slots	fig.3	20	0.7	Cat III
S-1904/P	3 1/8 ODS	305	654	141	81	266	3 x Ø 14mm slots	fig.3	36	0.7	Cat III

Note: S-1903P and S-1904P include 2 x 3/8" NPT fitting for PRV.



CONVENTIONAL OIL SEPARATORS

Performance data

This table provides a summary of the kW capacity of each separator for fixed evaporating and condensing temperatures.

This table can be used as a quick reference guide. However, the Selection Guidelines are recommended for conventional oil separator sizing.

Part No	Capacity in kW of refrigeration at nominal evaporator temperature						Maximum discharge volume (m ³ /hr)
	R404A/507		R134a		R407F		
	-40°C	5°C	-40°C	5°C	-40°C	5°C	
S-5580	2.9	3.7	3.1	3.5	3.4	4	1.3
S-5581	3.8	4.9	4.2	4.7	4.5	5.2	1.7
S-5582	5.7	7.4	6.3	7.1	6.8	8	2.6
S-5585	15.2	19.7	16.8	19	17.8	20.8	6.8
S-5587	22.8	29.5	25.1	28.4	26.7	31.3	10.2
S-5588	30.4	39.3	33.5	37.8	35.6	41.7	13.6
S-5590	38	49.2	42	47.3	44.5	52.1	17
S-5690	41.8	54.1	46.1	52	49	57.3	18.7
S-5692	53.2	68.8	58.6	66.1	62.4	72.9	23.8
S-5694	85.6	110	94.3	106	100	117	38.3
S-1901/P	68.4	88.5	75.4	84	80.2	93.7	30.6
S-1902/P	102	132	113	127	120	141	45.9
S-1903/P	186	240	205	231	218	255	83.3
S-1904/P	258	334	284	321	301	352	115

Notes: All data is for a 38°C condensing temperature, 18°C suction temperature and on connection size being the same as the compressor discharge valve.

Selection Guidelines

The most important parameter for selection is the discharge volumetric flow rate, expressed in m³/hr. This is the calculated volume flow rate at entry to the oil separator. It is not to be confused with the compressor displacement or swept volume.

A quick method is to use the selection graphs. For HCFC and HFC refrigerants, the same graphs apply for both conventional and helical oil separators. Conventional separators are not suitable for use with ammonia hence the R717 graph should not be used.

As with the helical separators, where a higher degree of accuracy is required to calculate the m³/hr, the flow rate calculation method is recommended. The flow rate calculation method is also recommended for special applications.

Conventional Separator Selection using the Graphs

To use the selection graphs, the refrigerant type, maximum refrigeration capacity, minimum refrigeration capacity, evaporating temperature and the condensing temperature is required.

Example:

Refrigerant R404A

Maximum refrigeration capacity = 100 kW

Minimum refrigeration capacity = 50 kW

Evaporating temperature = -10°C

Condensing temperature = +40°C

From the R404A graph, follow the -10°C evaporator temperature line to the intersection of the 40°C condensing temperature line.

Extend a line horizontally from this point to the m³/hr/kW factor.

Multiply this factor by the maximum and minimum refrigeration capacities to compute the maximum and minimum discharge volume flow rates.

From the R404A graph, the [m³/hr/kW factor] = 0.355

Therefore:

Maximum discharge volume flow rates = (0.355 x 100) = 35.5 m³/hr

Minimum discharge volume flow rates = (0.355 x 50) = 17.75 m³/hr

The maximum and minimum m³/hr figures should be compared with the rated capacity of the conventional separator. Refer to the Performance Data Table for the rated capacities.

The general recommendation is that the calculated maximum flow should not exceed the rated capacity of the separator. Also, the minimum flow should not be below 33% of the rated capacity.

Using these m³/hr figures, the recommended conventional separator selection is model S-5694 with a rated capacity of 38.3 m³/hr.

Additional notes on selection

1. The 33% minimum recommendation rule is to optimise efficiency. Below this load factor, the efficiency of the separator will decrease. On systems with extreme unloading conditions, one separator per compressor should be used rather than one separator for a common discharge line.
2. Understanding the system refrigeration capacity and the percentage of full and low load run times can also be helpful in selecting the separator.
3. In cases where the maximum discharge has been exceeded by only a minimal amount and the system has unloading characteristics, select the smaller separator. It is not recommended to oversize.

Installation – Main issues

Same as for helical oil separators.

The information contained in this brochure is correct at the time of publication. Henry Group has a policy of continuous product development; we therefore reserve the right to change technical specifications without prior notice. Extensive changes within our industry have seen products of Henry Group being used in a variety of new applications. We have a policy, where possible, to offer research and development assistance to our clients. We readily submit our products for assessment at the development stage, to enable our clients to ascertain product suitability for a given design application. It remains the responsibility of the system designer to ensure all products used in the system are suitable for the application. For details of our warranty cover, please refer to our standard terms and conditions of sale. Copies are available on request.
Date of publication: June 2020

Henry Technologies Ltd
76 Mossland Road, Hillington Park
Glasgow, G52 4XZ
Scotland, United Kingdom
Tel. +44 141 882 4621
contact.uk@henry-group.net

Henry Technologies Pty Ltd
25 Tullamarine Park Rd
Tullamarine, Victoria
Australia, 3043
Tel. +61 (3) 9286-4222
contact.au@henry-group.net

Henry Technologies Hangzhou Corp Ltd
No. 5-6 Factory Building, No. 331 Haidong Rd
Lihai Town, Shaoxing Binhai New Area,
Zhejiang
China, 312366
Tel. +86 (571) 8168-8290
contact.cn@henry-group.net

Henry Technologies Pte Ltd
Block 203B, Henderson Rd
12-11 Henderson Industrial Park
Singapore, 159546
Tel. +65 6295-0055
contact.sg@henry-group.net