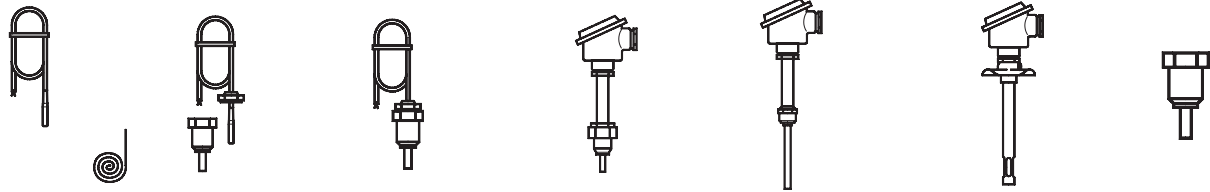


Instructions

AKS 21
PT 1000 ohm

084R9670

084R9670



AKS 21A AKS 21M AKS 21M AKS 21W AKS 21W AKS 21W AKS 21D AKS 21W

ohm	°C	°F
723	-70	-94
727	-69	-92
731	-68	-90
735	-67	-89
739	-66	-87
743	-65	-85
747	-65	-83
751	-64	-81
755	-63	-80
759	-62	-78
763	-61	-76
767	-60	-74
771	-58	-72
775	-57	-71
779	-56	-69
783	-55	-67
787	-54	-65
791	-53	-63
795	-52	-62
799	-51	-60
803	-50	-58
807	-49	-56
811	-48	-54
815	-47	-53
819	-46	-51
823	-45	-49
827	-44	-47
831	-43	-45
835	-42	-44
839	-41	-42
843	-40	-40
847	-39	-38
851	-38	-36
855	-37	-35
859	-36	-33
862	-35	-31

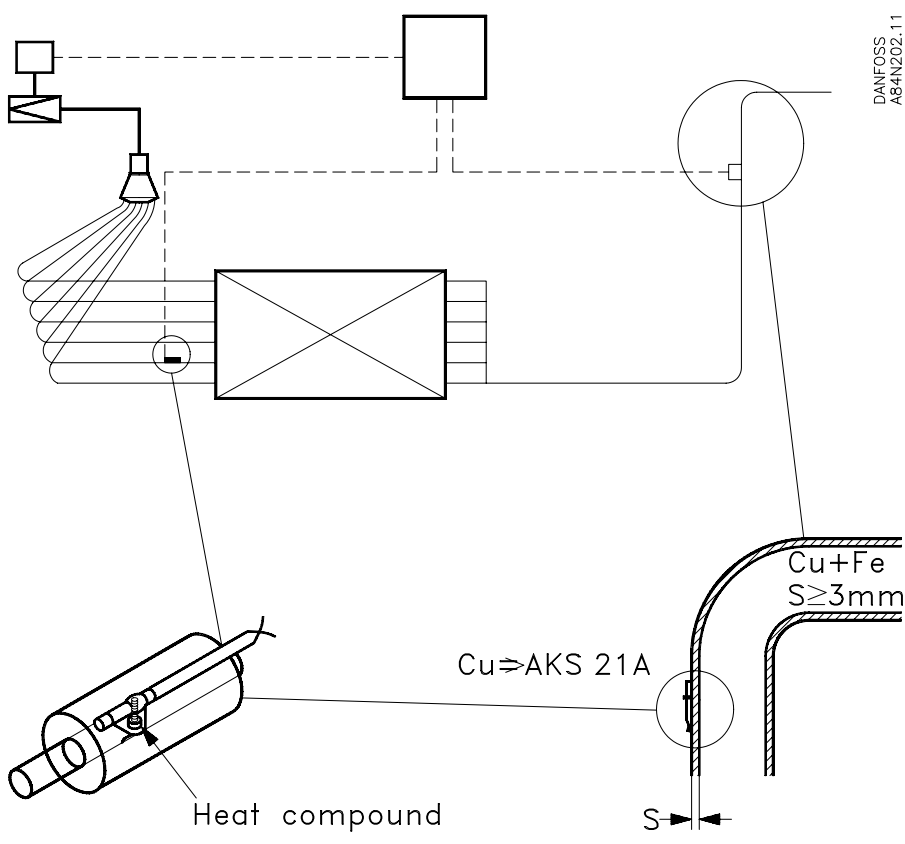
ohm	°C	°F
866	-34	-29
870	-33	-27
874	-32	-26
878	-31	-24
882	-30	-22
886	-29	-20
890	-28	-18
894	-27	-17
898	-26	-15
902	-25	-13
906	-24	-11
910	-23	-9
914	-22	-8
918	-21	-6
922	-20	-4
926	-19	-2
929	-18	0
933	-17	1
937	-16	3
941	-15	5
945	-14	7
949	-13	9
953	-12	10
957	-11	12
961	-10	14
965	-9	16
969	-8	18
973	-7	19
977	-6	21
980	-5	23
984	-4	25
988	-3	27
992	-2	28
996	-1	30
1000	0	32
1004	1	34

ohm	°C	°F
1008	2	36
1012	3	37
1016	4	39
1020	5	41
1023	6	43
1027	7	45
1031	8	46
1035	9	48
1039	10	50
1043	11	52
1047	12	54
1051	13	55
1055	14	57
1058	15	59
1062	16	61
783	17	63
1070	18	64

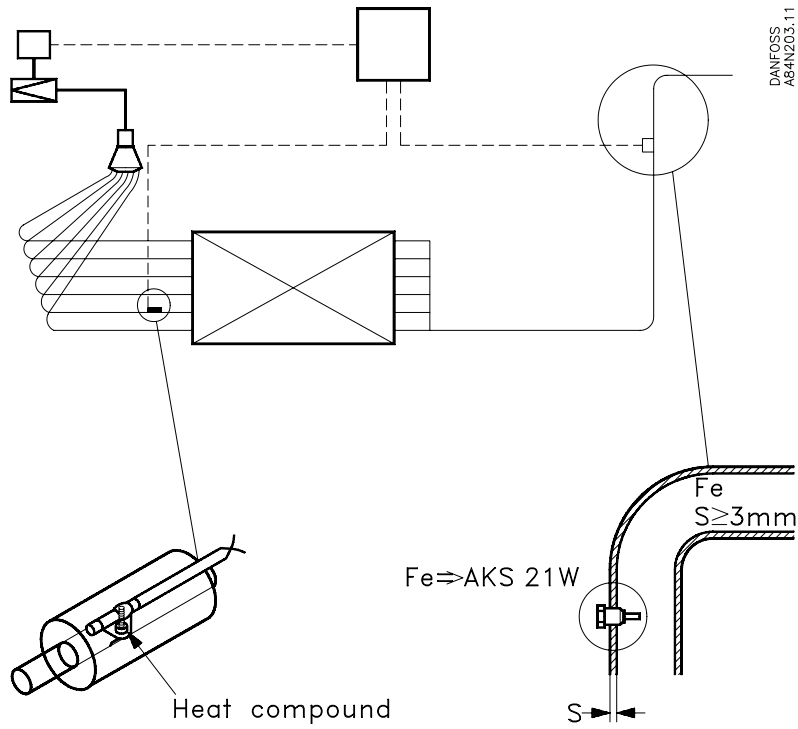
ohm	°C	°F
1074	19	66
1078	20	68
1082	21	70
1086	22	72
1090	23	73
1093	24	75
1097	25	77
1101	26	79
1105	27	81
1109	28	82
1113	29	84
1117	30	86
1121	31	88
1124	32	90
1128	33	91
1132	34	93
1136	35	95

Approx. 4 ohm / °C Approx. 2.2 ohm / °F

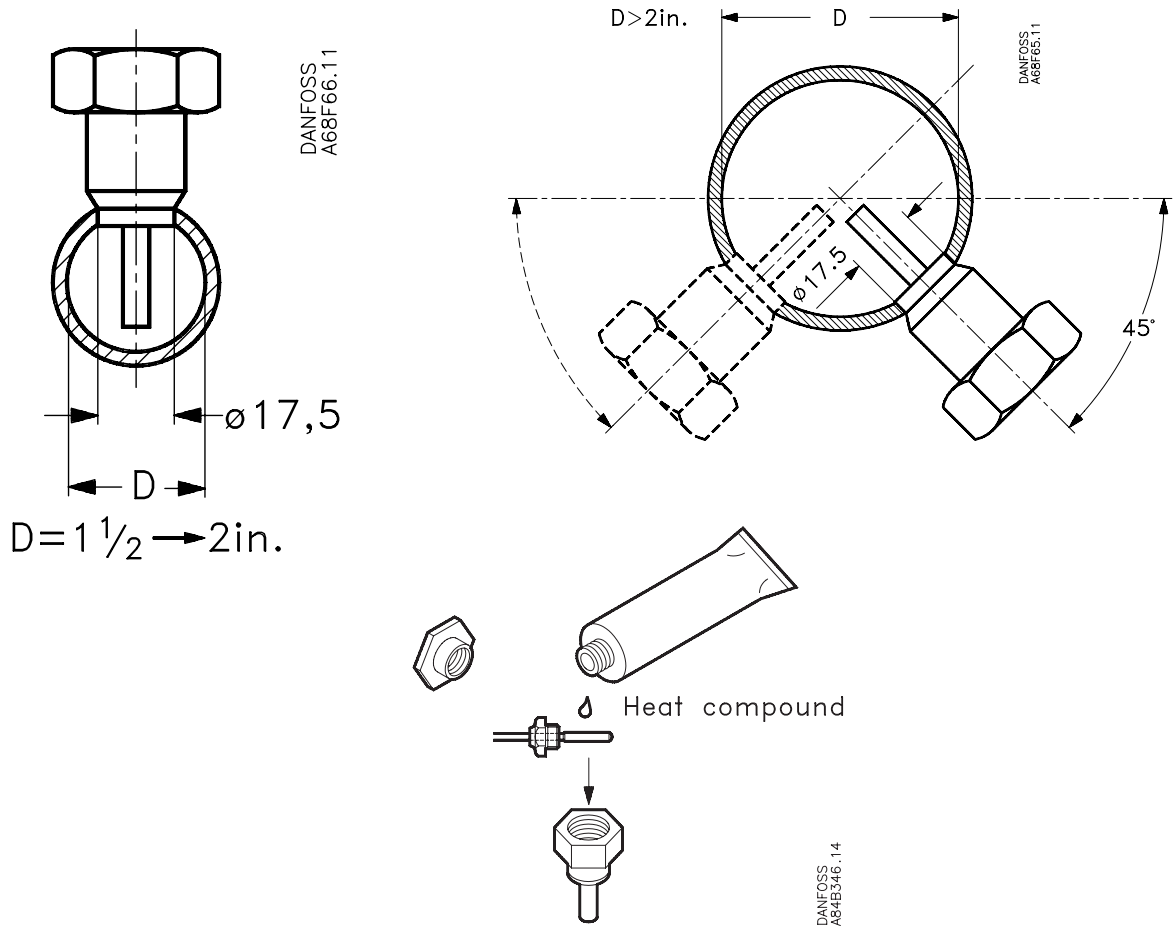
AKS 21W



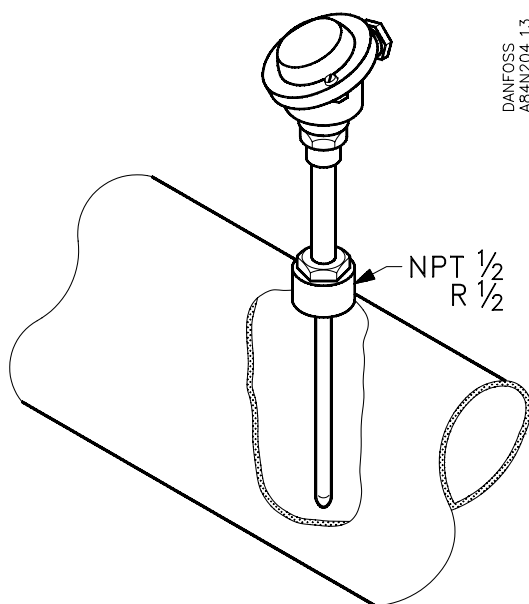
AKS 21W



AKS 21W

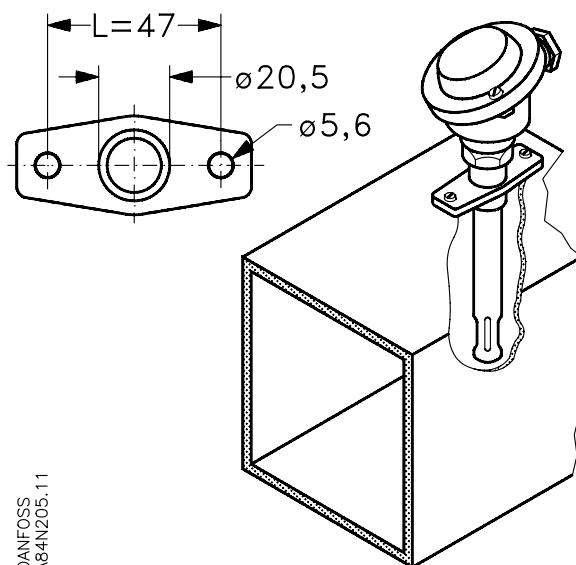


AKS 21W



DANFOSS
AB4N204.13

AKS 21W



DANFOSS
AB4N205.11

Any information, including, but not limited to information on selection of product, its application or use, product design, weight, dimensions, capacity or any other technical data in product manuals, catalogues descriptions, advertisements, etc. and whether made available in writing, orally, electronically, online or via download, shall be considered informative, and is only binding if and to the extent, explicit reference is made in a quotation or order confirmation. Danfoss cannot accept any responsibility for possible errors in catalogues, brochures, videos and other material. Danfoss reserves the right to alter its products without notice. This also applies to products ordered but not delivered provided that such alterations can be made without changes to form, fit or function of the product.

All trademarks in this material are property of Danfoss A/S or Danfoss group companies. Danfoss and the Danfoss logo are trademarks of Danfoss A/S. All rights reserved.