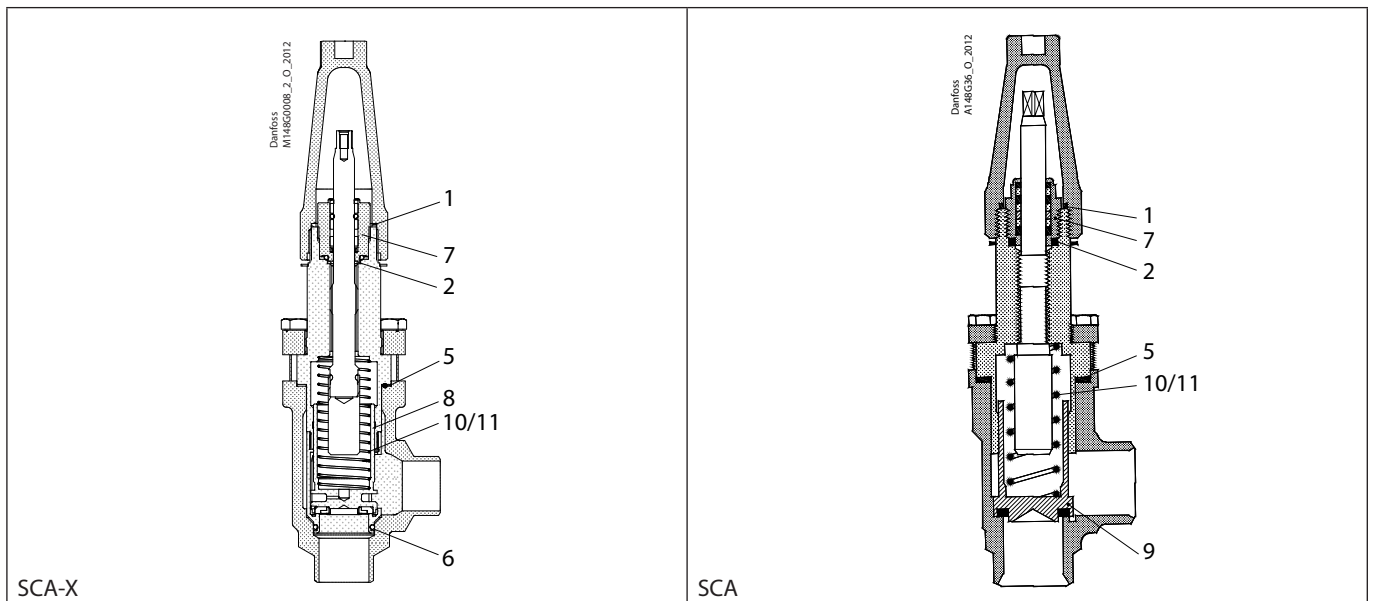
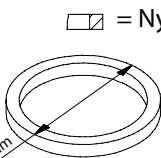
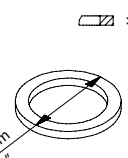
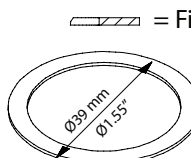
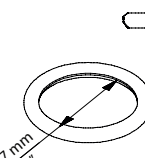
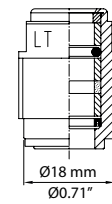
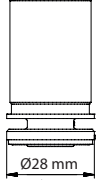
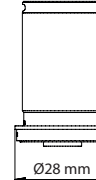
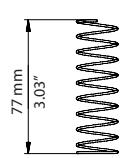
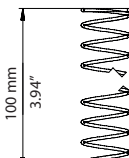


Installation guide – Spare parts and accessories

Overhaul kit | Code number 148B6160

SCA / SCA-X sizes 15 - 20



<p>1</p>  <p>Ø28 mm Ø1.1"</p> <p>Total no. = 1</p>	<p>2</p>  <p>Ø18 mm Ø0.69"</p> <p>Total no. = 1</p>	<p>5</p>  <p>Ø39 mm Ø1.55"</p> <p>Total no. = 1</p>	<p>6</p>  <p>Ø17 mm Ø0.67"</p> <p>Total no. = 1</p>	<p>7</p>  <p>Ø18 mm Ø0.71"</p> <p>Total no. = 1</p>
<p>8</p>  <p>Ø28 mm Ø1.1"</p> <p>Total no. = 1</p>	<p>9</p>  <p>Ø28 mm Ø1.1"</p> <p>Total no. = 1</p>	<p>10</p>  <p>77 mm 3.03"</p> <p>Total no. = 1</p>	<p>11</p>  <p>100 mm 3.94"</p> <p>Total no. = 1</p>	

NOTE:

When replacing the packing gland (pos. 7) in SCA-X or SCA the aluminium gasket (pos. 2) is needed.