

PRODUCT BROCHURE

CONDENSER MOUNTS

Monkeytoe Group

sales@monkeytoegroup.com | NZ: 0800 658 637 | AU: 1800 875 809



Markete/Lo



CONTENTS

Condenser Mounts	5
Condenser Mounts Quick reference	6
Top Fixing Installation Procedure	11
Condenser Mount Components / Fixing Kit	10
RCD400.300 Fixing Detail	12
Combi-stud Fixing Detail	13
CM01 Series Condenser Mount Diagram	14
CM02 Series Condenser Mount Diagram	16
CM03 Series Condenser Mount Diagram	18
CM05 Series Condenser Mount Diagram	20
CM10 Series Condenser Mount Diagram	22
Condenser Security Cover	24
Unit Stacker Mounts	25
Duct Supports	26
Duct Support Components	27
Down the roof Duct Supports Installation Guide	28
Across the roof Duct Supports Installation Guide	29
Duct Supports Maximum Spacing	30
Condenser Wall Mounts	32

WE'RE IN THE BUSINESS OF GOING OVER AND ABOVE

HVAC plant mounting systems for any construction application.

We're tried and true.

Our systems are trusted worldwide by architects, engineers and building owners.

We tackle and solve your mounting challenges, and it's our approach that's our difference.

Everyone want's good. We deliver everything better.

MONKEYTOE

INSTALLATION MANUAL DOWNLOAD

Monkeytoe Condenser Roof Mounts



MONKEYTOE

CONDENSER MOUNTS

Flat-packed for easy site assembly.

Our fully adjustable aluminium roof mounting systems are suitable for a variety of condenser and mechanical mountings up to 1000kg.

Boxed kit-set and ready to install, our condenser mounting systems used Monkeytoe's specialised mounting clips and fixings to ensure loads are taken down to the roof structure, not applied to the roof itself.

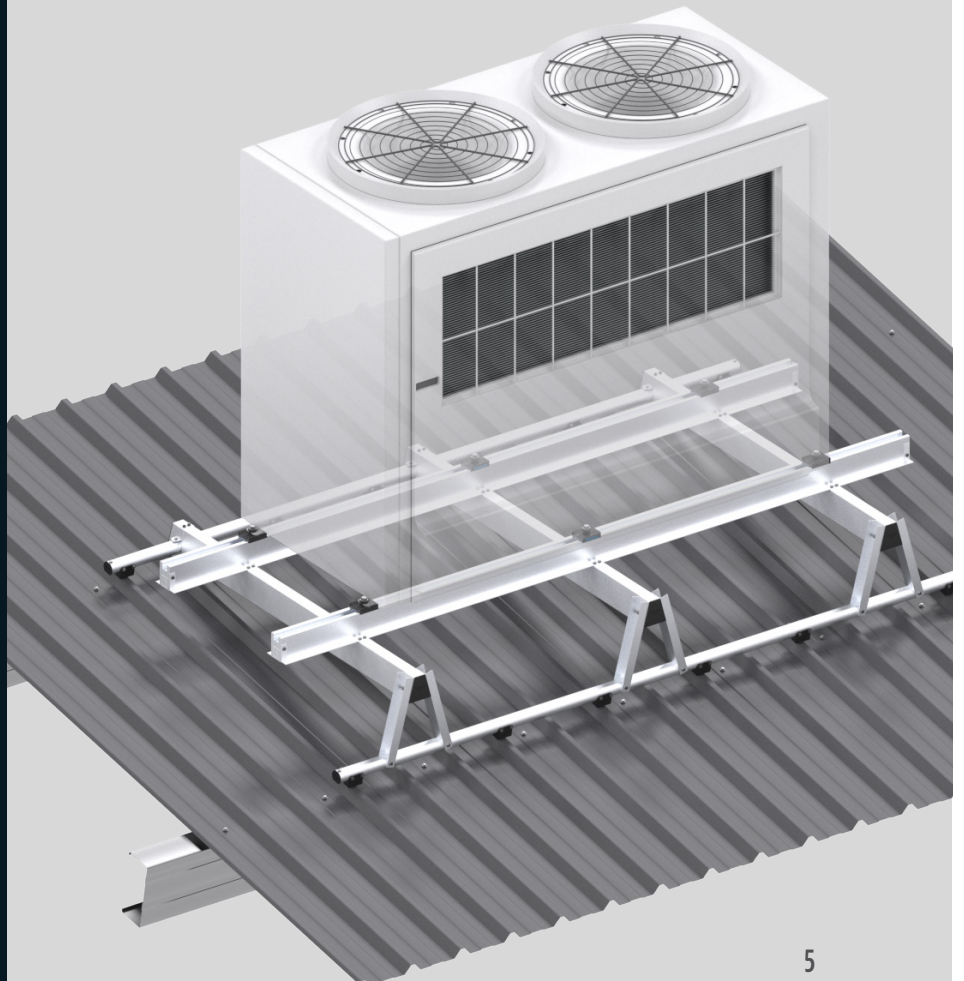


For more information visit www.monkeytoe.co.nz/product/condenser-mounts

CM10 Condenser Roof Mount

THE KEY BENEFITS

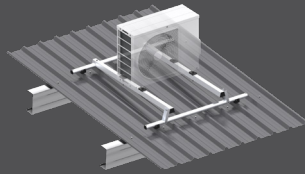
- Eliminates incorrect fixing and mounting methods
- Fast installation times
- Lightweight boxed kit-sets
- Modular, Adjustable Assembly
- Fully-engineered
- Compatible with roofing warranties
- All kits include anti-vibrational mounts
- Adjustable support for equipment weighing up to 1000kg



MONKEYTOE

CONDENSER MOUNTS QUICK REFERENCE GUIDE

CM01



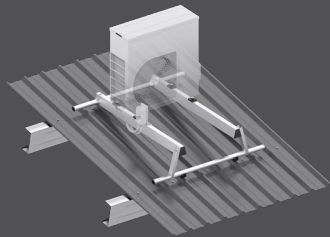
Up to 120kg

600-2400mm purlin spacings

0-15deg pitch

\$275 +GST

CM02



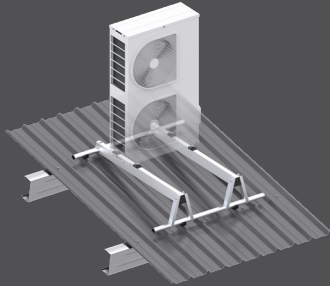
Up to 200kg

600-2400mm purlin spacings

0-15deg pitch

\$330 +GST

CM03



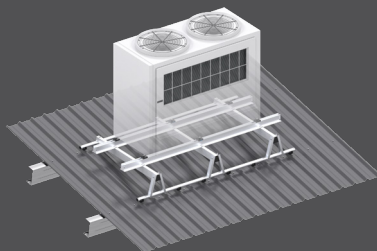
Up to 300kg

600-2400mm purlin spacings

0-15deg pitch

\$385 +GST

CM05



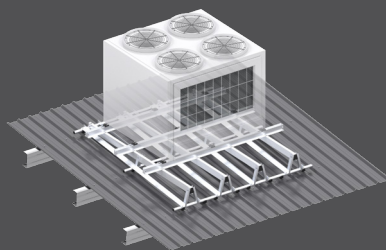
Up to 500kg

Suitable for 600-2400mm purlin spacings

0-15deg pitch

\$935 +GST

CM10



Up to 1000kg

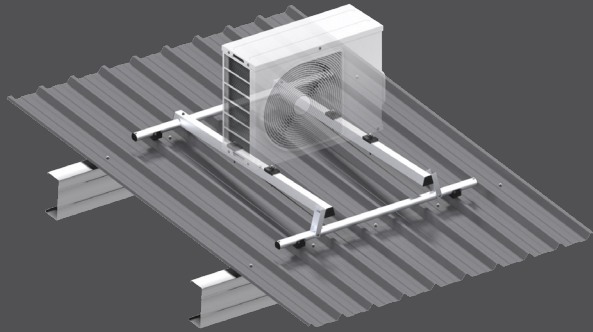
Suitable for 1200-1500mm purlin spacings

Only 0-15deg pitch

\$1,815 +GST

MONKEYTOE MOUNTS

CM01 CONDENSER MOUNT



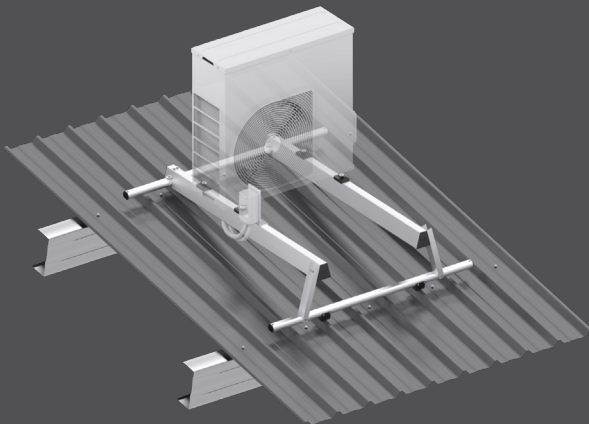
SPECIFICATIONS

- Up to 120kg
- 600-2400mm purlin spacing
- Anti-vibration mounts included
- Fully engineered to AS/NZ 1170.0, 1170.1 and 1170.2 (wind loads) and 1170.5 (seismic loads)
- Suitable for wind regions NZ 1-4
- Suitable for any roof profile up to 60mm in depth

CM01.12.3	1200mm purlins	Roof-mounted rating 120kg: adjustable upright 300mm long/13deg
CM01.12.1	1200mm purlins	Roof-mounted rating 120kg: adjustable upright 150mm long/6.0deg
CM01.12.6	1200mm purlins	Roof-mounted rating 120kg: adjustable upright 600mm long/28deg
CM01.18.1	1800mm purlins	Roof-mounted rating 120kg: adjustable upright 150mm long/4.0deg
CM01.18.3	1800mm purlins	Roof-mounted rating 120kg: adjustable upright 300mm long/9deg
CM01.18.6	1800mm purlins	Roof-mounted rating 120kg: adjustable upright 600mm long/18deg
CM01.24.1	2400mm purlins	Roof-mounted rating 120kg: adjustable upright 150mm long/3.0deg
CM01.24.3	2400mm purlins	Roof-mounted rating 120kg: adjustable upright 300mm long/6deg
CM01.24.6	2400mm purlins	Roof-mounted rating 120kg: adjustable upright 600mm long/13.5deg

MONKEYTOE MOUNTS

CM02 CONDENSER MOUNT



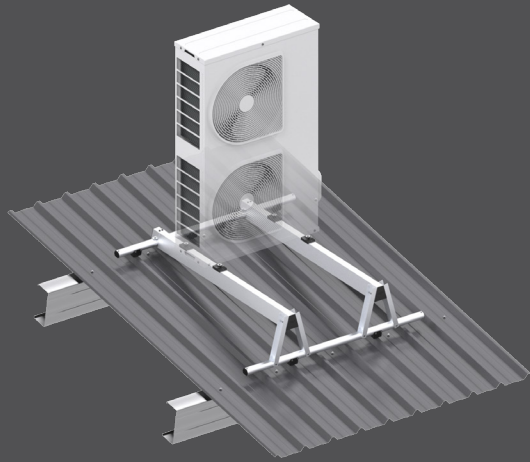
SPECIFICATIONS

- Up to 200kg
- 600-2400mm purlin spacing
- Anti-vibration mounts included
- Provides an adjustable mounting area of 1200mm x 2400mm with a load rating of 300kg
- Fully engineered to AS/NZ 1170.0, 1170.1 and 1170.2 (wind loads) and 1170.5 (seismic loads)
- Suitable for wind regions NZ 1-4
- Suitable for any roof profile up to 60mm in depth

CM02.12.3	1200mm purlins	Roof-mounted rating 200kg: adjustable upright 300mm long/13deg
CM02.12.1	1200mm purlins	Roof-mounted rating 200kg: adjustable upright 150mm long/6.0deg
CM02.12.6	1200mm purlins	Roof-mounted rating 200kg: adjustable upright 600mm long/28deg
CM02.18.1	1800mm purlins	Roof-mounted rating 200kg: adjustable upright 150mm long/4.0deg
CM02.18.3	1800mm purlins	Roof-mounted rating 200kg: adjustable upright 300mm long/9deg
CM02.18.6	1800mm purlins	Roof-mounted rating 200kg: adjustable upright 600mm long/18deg
CM02.24.1	2400mm purlins	Roof-mounted rating 200kg: adjustable upright 150mm long/3.0deg
CM02.24.3	2400mm purlins	Roof-mounted rating 200kg: adjustable upright 300mm long/6deg
CM02.24.6	2400mm purlins	Roof-mounted rating 200kg: adjustable upright 600mm long/13.5deg

MONKEYTOE MOUNTS

CM03 CONDENSER MOUNT



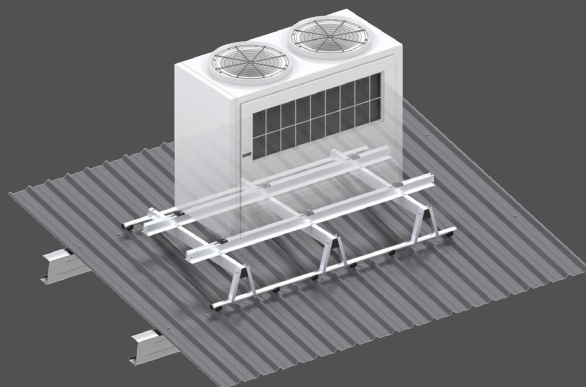
SPECIFICATIONS

- Up to 300kg
- 600 & 2400mm purlin spacings
- Anti-vibration mounts included
- Provides an adjustable mounting area of 1200mm x 2400mm with a load rating of 300kg
- Fully engineered to AS/NZ 1170.0, 1170.1 and 1170.2 (wind loads) and 1170.5 (seismic loads)
- Suitable for wind regions NZ 1-4
- Suitable for any roof profile up to 60mm in depth

CM03.12.1	1200mm purlins	Roof-mounted rating 300kg: adjustable upright 150mm long/6deg
CM03.12.3	1200mm purlins	Roof-mounted rating 300kg: adjustable upright 300mm long/13deg
CM03.12.6	1200mm purlins	Roof-mounted rating 300kg: adjustable upright 600mm long/18deg
CM03.18.1	1800mm purlins	Roof-mounted rating 300kg: adjustable upright 150mm long/4.0deg
CM03.18.3	1800mm purlins	Roof-mounted rating 300kg: adjustable upright 300mm long/9deg
CM03.18.6	1800mm purlins	Roof-mounted rating 300kg: adjustable upright 600mm long/28deg
CM03.24.1	2400mm purlins	Roof-mounted rating 300kg: adjustable upright 150mm long/3.0deg
CM03.24.3	2400mm purlins	Roof-mounted rating 300kg: adjustable upright 300mm long/6deg
CM03.24.6	2400mm purlins	Roof-mounted rating 300kg: adjustable upright 600mm long/13.5deg

MONKEYTOE MOUNTS

CM05 CONDENSER MOUNT



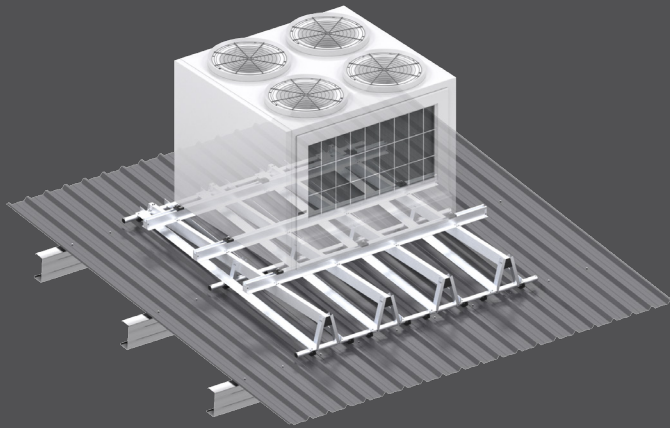
SPECIFICATIONS

- Up to 500kg
- 1200 & 2400mm purlin spacings
- Anti-vibration mounts included
- Provides an adjustable mounting area of 2400mm x 2400mm with a load rating of 500kg
- Fully engineered to AS/NZ 1170.0, 1170.1 and 1170.2 (wind loads) and 1170.5 (seismic loads)
- Suitable for wind regions NZ 1-4
- Suitable for any roof profile up to 60mm in depth

CM05.12.1	1200mm purlins	Roof-mounted rating 300kg: adjustable upright 150mm long/6deg
CM05.12.3	1200mm purlins	Roof-mounted rating 300kg: adjustable upright 300mm long/13deg
CM05.12.6	1200mm purlins	Roof-mounted rating 300kg: adjustable upright 600mm long/18deg
CM05.18.1	1800mm purlins	Roof-mounted rating 300kg: adjustable upright 150mm long/4.0deg
CM05.18.3	1800mm purlins	Roof-mounted rating 300kg: adjustable upright 300mm long/9.0deg
CM05.18.6	1800mm purlins	Roof-mounted rating 300kg: adjustable upright 600mm long/18deg
CM05.24.1	2400mm purlins	Roof-mounted rating 300kg: adjustable upright 150mm long/3.0deg
CM05.24.3	2400mm purlins	Roof-mounted rating 300kg: adjustable upright 300mm long/6deg
CM05.24.6	2400mm purlins	Roof-mounted rating 300kg: adjustable upright 600mm long/13.5deg

MONKEYTOE MOUNTS

CM10 CONDENSER MOUNT



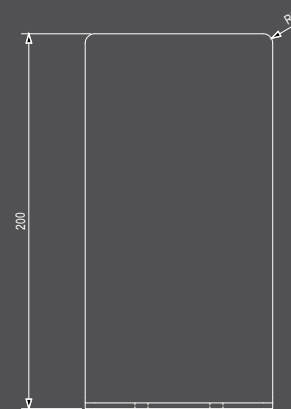
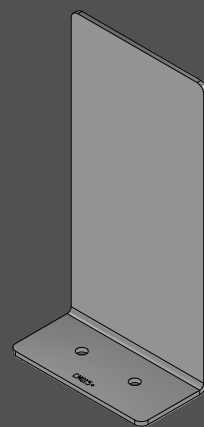
SPECIFICATIONS

- Up to 1000kg
- 1200 & 1500mm purlin spacing (mount must span three purlins)
- Anti-vibration mounts included
- Provides an adjustable mounting area of 2400mm x 3000mm with a load rating of 300kg
- Fully engineered to AS/NZ 1170.0, 1170.1 and 1170.2 (wind loads) and 1170.5 (seismic loads)
- Suitable for wind regions NZ 1-4
- Suitable for any roof profile up to 60mm in depth

CM10.30.1	1200-1500mm purlins	Roof-mounted rating 1000kg: adjustable upright 150mm long/3.0deg
CM10.30.3	1200-1500mm purlins	Roof-mounted rating 1000kg: adjustable upright 300mm long/5.0deg
CM010.30.6	1200-1500mm purlins	Roof-mounted rating 1000kg: adjustable upright 600mm long/11deg

MONKEYTOE MOUNTS

CM15 ISOLATOR BOX FIXING BRACKET

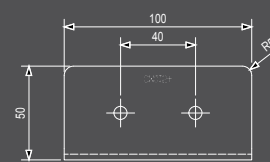


FRONT VIEW
1:2



SIDE VIEW
1:2

MATERIAL: 3.00 mm 5052-H32 SHEET
 MASS: 0.20 kg
 (REFER: CM015+ - Isolator Box Fixing Bracket.stp)



UNDERSIDE VIEW
1:2

Material: 3.00mm 5052-H32 sheet

Mass: 0.02kg

\$18 +GST

MONKEYTOE

CONDENSER MOUNT COMPONENTS

High-tensile, marine-grade aluminium components used in the construction of modular HVAC plant platforms, walkways and condenser mounts.



ANTI-VIBRATION MOUNTS

- Full galvanic isolation. Up to 50% reduction in vibration.
- UV stable long-lasting TPE.
- Removes unwanted noise transfer for small vibrations such as inverter condensers.

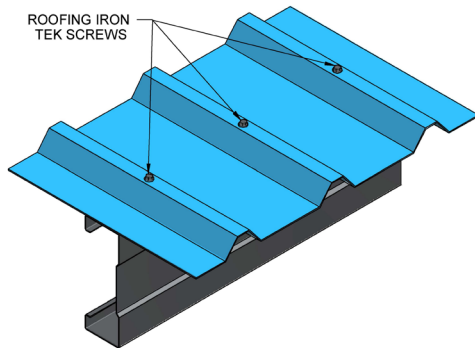
MONKEYTOE

CONDENSER MOUNT FIXING KIT

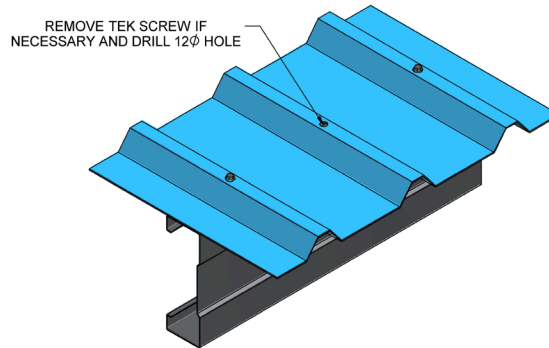
High-tensile, marine-grade aluminium components used in the construction of modular HVAC plant platforms, walkways and condenser mounts.

CM04.M2.060	Units Fixing Kit (4 points) 10-60kg Units for PM30,31	\$22 +GST
CM04.M2.100	Unit Fixing Kit (4 points) 65-100kg Units for PM30,31	\$22 +GST
CM04.M2.160	Unit Fixing Kit (4 points) for 105-160kg Units for PM30,31	\$28 +GST
CM04.M2.180	Unit Fixing Kit (4 points) for 165kg - 180kg Units for PM30,31	\$28 +GST
CM04.M1.180	Unit Fixing Kit (4 points) for 165kg - 180kg Units for 52mmW Channel	\$38 +GST
CM04.M1.350	Unit Fixing Kit (4 points) for 185kg - 350kg Units for 52mmW Channel	\$38 +GST
CM04.M1.160	Unit Fixing Kit (4 points) for 65kg - 160kg Units for 52mmW Channel	\$38 +GST

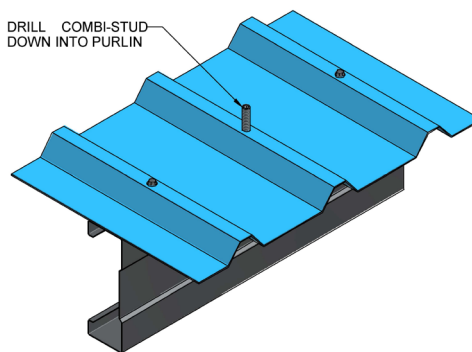
RC02 TOP FIX INSTALLATION PROCEDURE



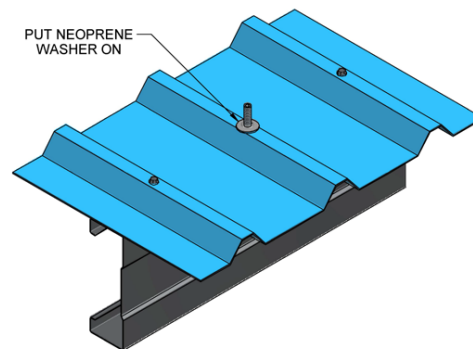
STEP ONE: Locate the roofing tek screws which indicate the location of the purlins



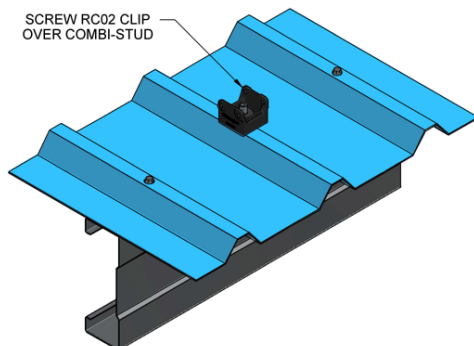
STEP ONE: Remove the existing roofing tek screws and re-drill the hole using a drill bit 12mm diameter to widen the hole the roofing material to suit the combi-stud.



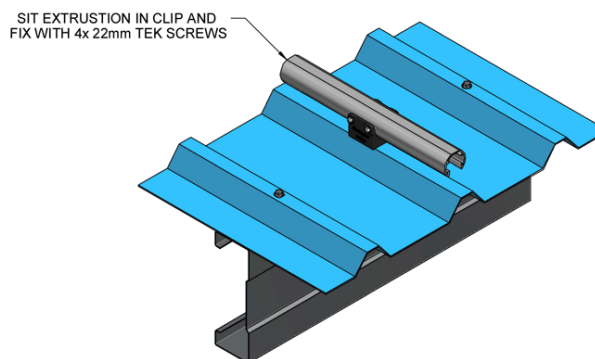
STEP TWO: Locate the supplied MKT combi-stud and driver bit and install this ensuring it is square to the roofing profile. This will help ensure a weather tight seal.



STEP THREE: Locate the supplied neoprene washer and place on the combi-stud.



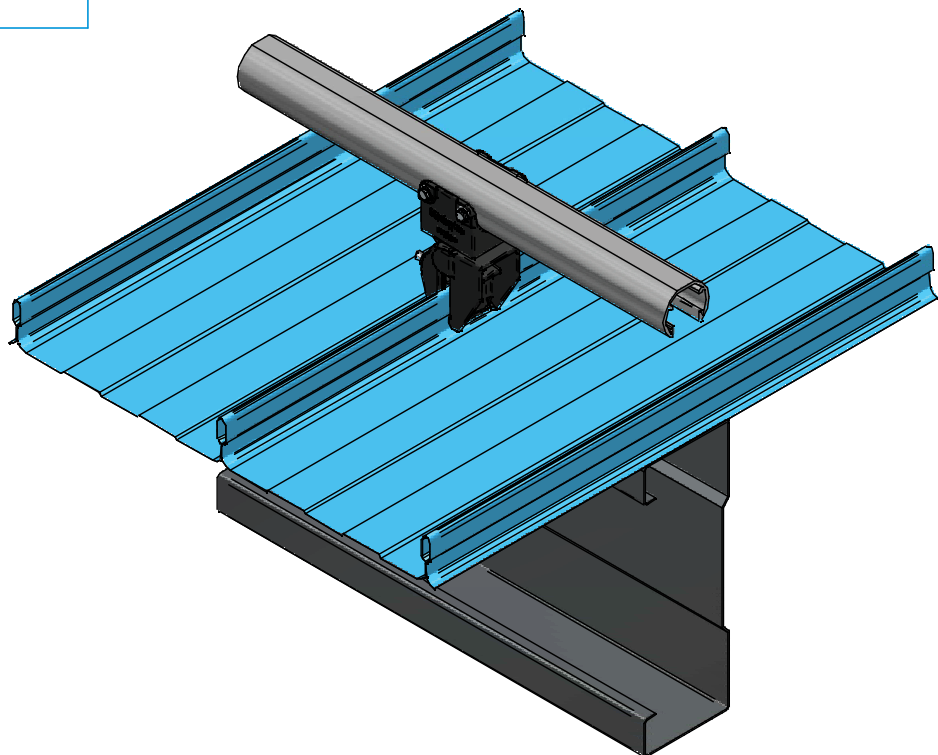
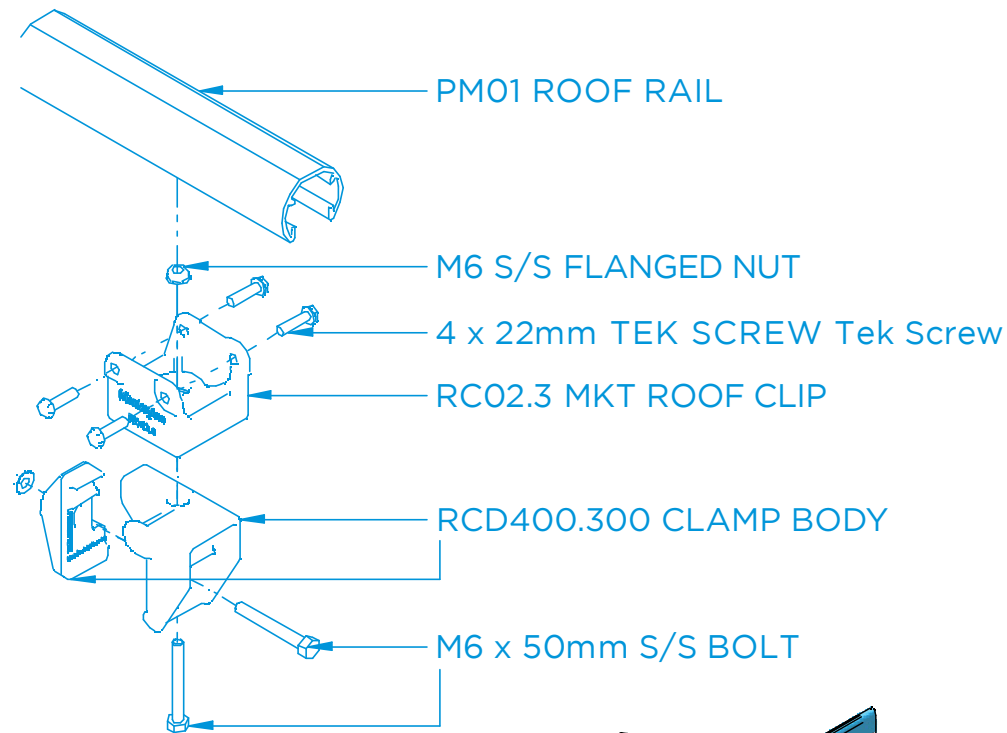
STEP FOUR: Wind on and hand tighten the supplied polyethylene roofing clip until the sealing washer has compressed flat.



STEP FIVE: Once installed, the extrusion simply sits in the clip and tek screw in place.

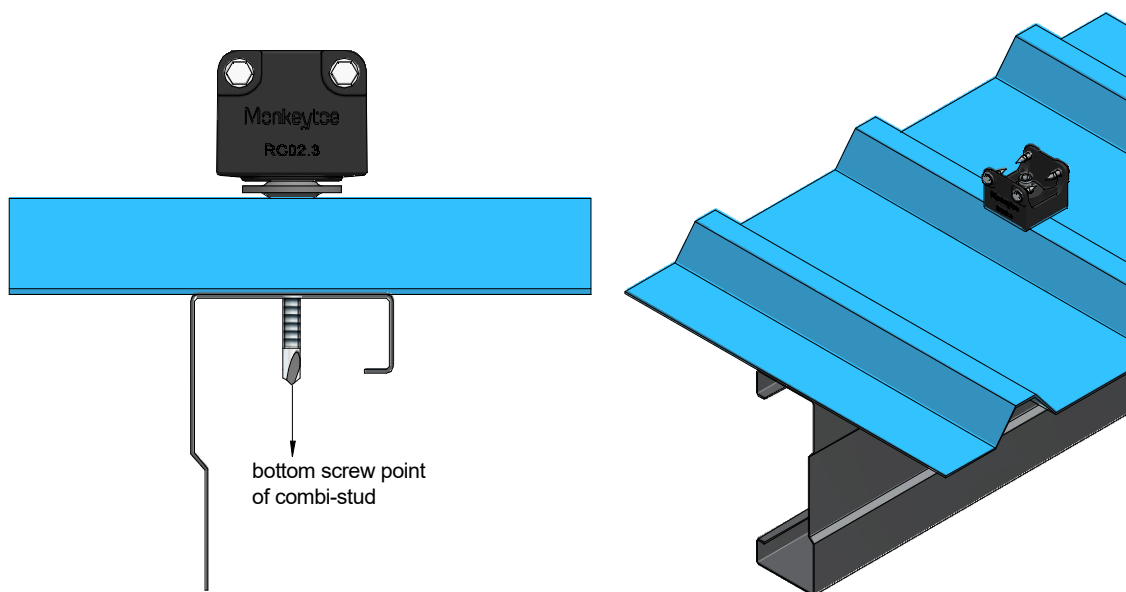
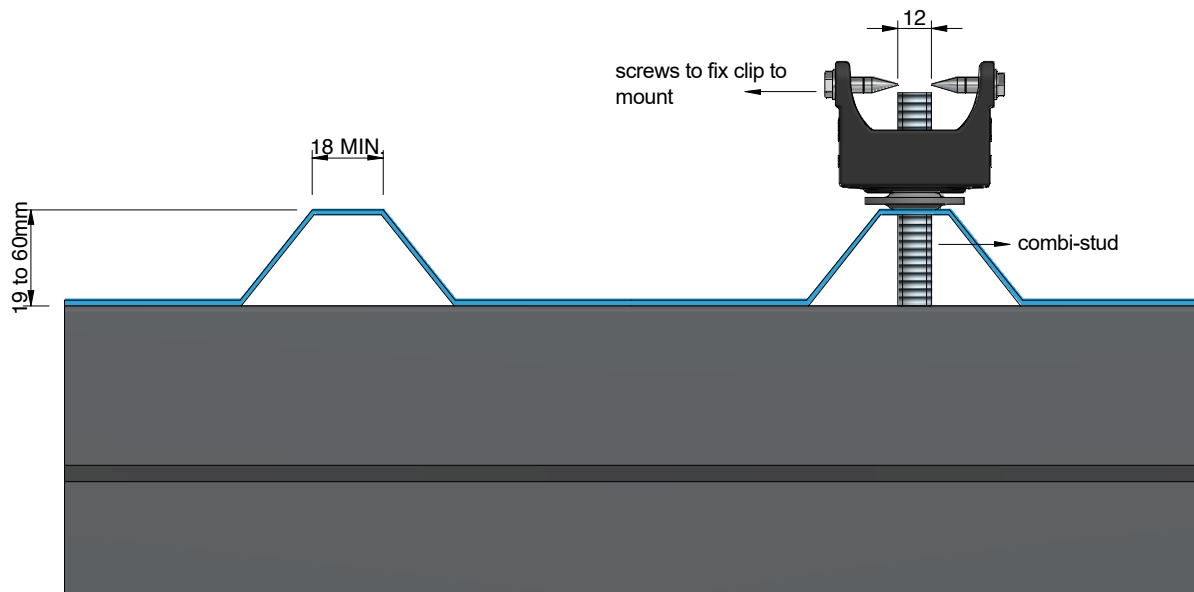
MONKEYTOE - FIXINGS

RCD400.300 DETAIL



*Note: All Kits come with a Std Top fix Clip Option if **RCD400.300** clamps are required can be purchased for **\$11 +GST**

COMBI-STUD FIXING DETAIL





CONFIGURATIONS		
CODE	MAX. PURLIN SPACING	MAX. ROOF PITCH
CM01.12.1	1200mm	6°
CM01.12.3		13°
CM01.12.6		28°
CM01.18.1	1800mm	4°
CM01.18.3		9°
CM01.18.6		18°
CM01.24.1	2400mm	3°
CM01.24.3		6°
CM01.24.6		13°

WIND REGIONS NZ1 NZ2 & A0-A5:

MAX. UNBRACED UNIT HEIGHT = 1250mm*
MAX. BRACED UNIT HEIGHT = 1430mm

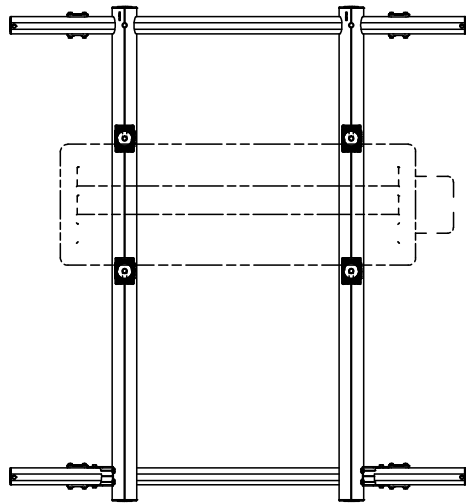
WIND REGIONS NZ3 & NZ4:

MAX. UNBRACED UNIT HEIGHT = 1000mm*
(ALL PURLIN SPACINGS)
MAX. BRACED UNIT HEIGHT = 1430mm
(1200mm PURLIN SPACING)
MAX. BRACED UNIT HEIGHT = 1350mm
(1800mm PURLIN SPACING)
MAX. BRACED UNIT HEIGHT = 1300mm
(2400mm PURLIN SPACING)

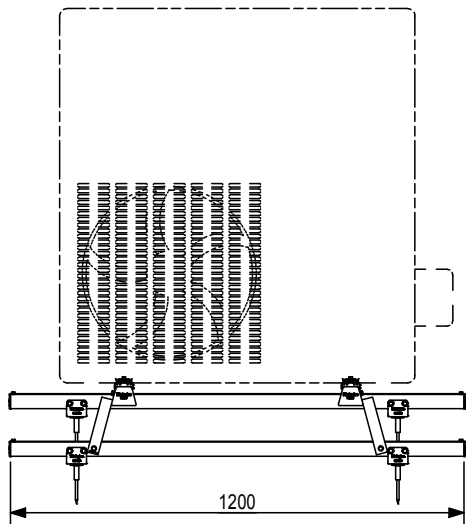
WIND REGIONS B1 & B2:

MAX. UNBRACED UNIT HEIGHT = 1000mm*
(ALL PURLIN SPACINGS)
MAX. BRACED UNIT HEIGHT = 1430mm
(1200mm PURLIN SPACING)
MAX. BRACED UNIT HEIGHT = 1150mm
(1800mm PURLIN SPACING)
MAX. BRACED UNIT HEIGHT = 1050mm
(2400mm PURLIN SPACING)

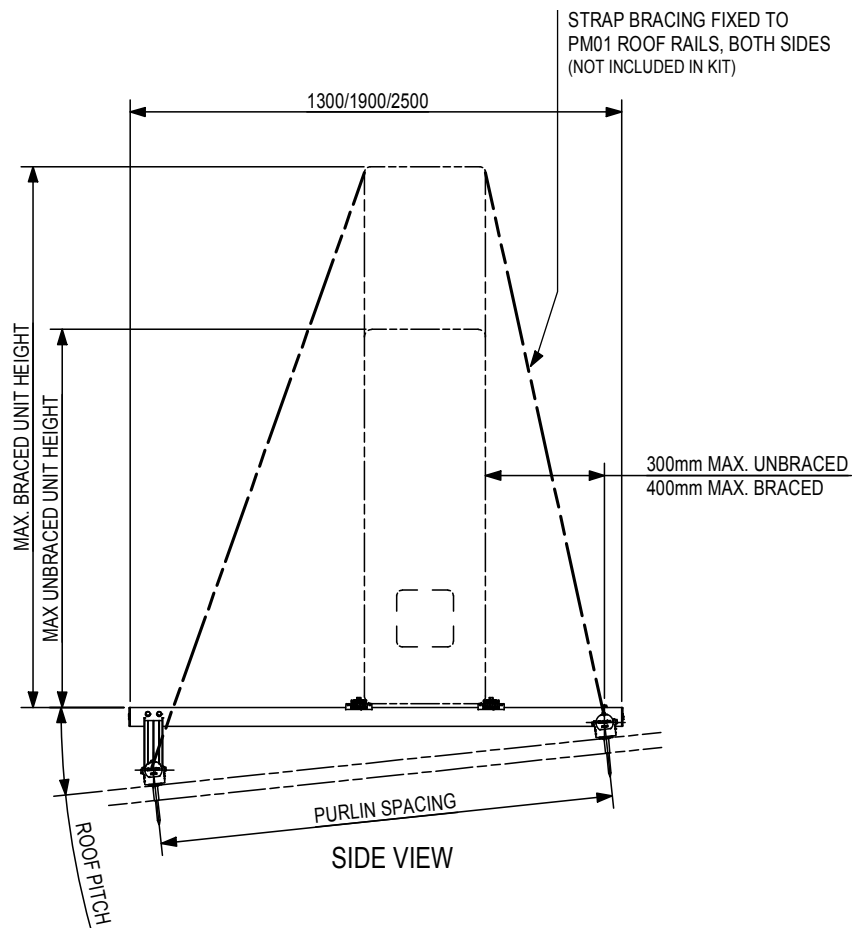
* REFER TO UNIT MANUFACTURERS BRACING REQUIREMENTS FOR UNITS LESS THAN SPECIFIED HEIGHT.



PLAN VIEW



FRONT VIEW



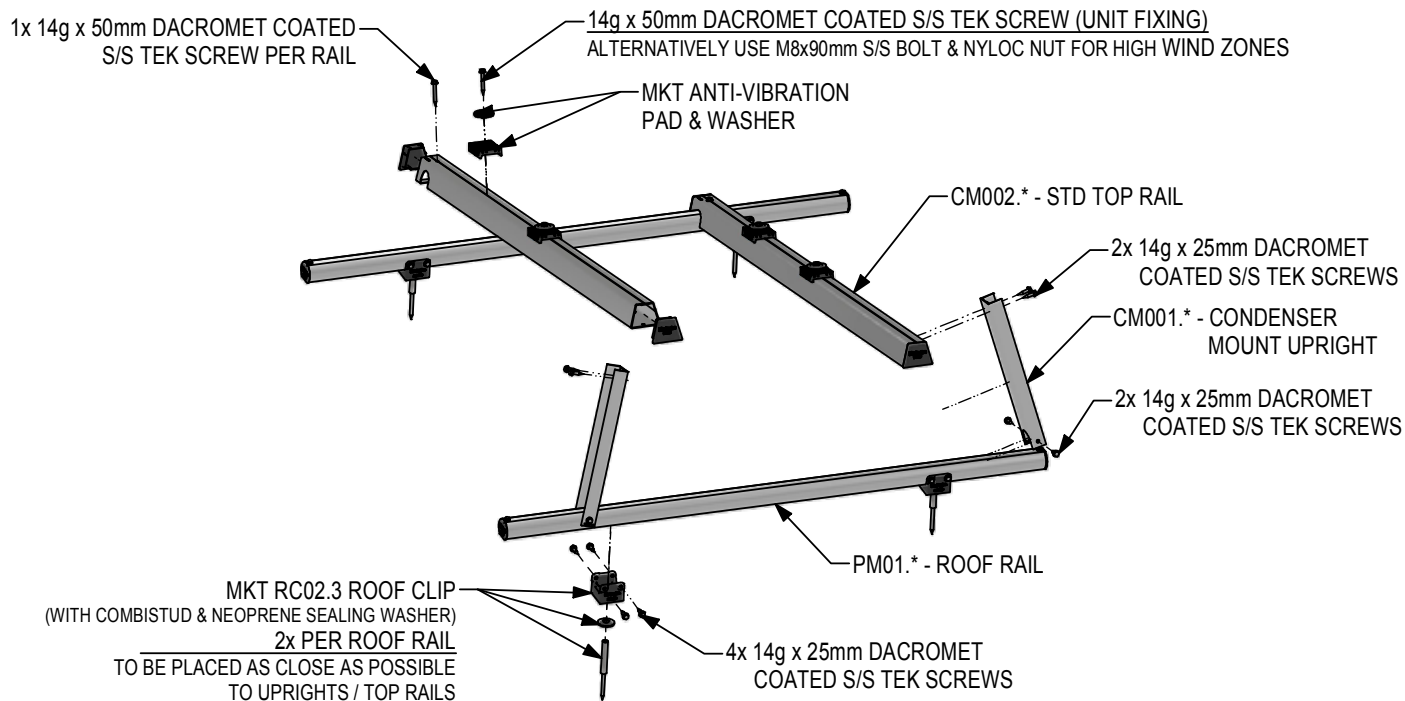
DESIGN CRITERIA: NEW ZEALAND

IMPORTANCE LEVEL = 2
SOIL CLASS = C (Worst Case)
SEISMIC HAZARD FACTOR (Z) ≤ 0.42
HORIZONTAL SEISMIC ACCELERATION ≤ 2.2G
WIND REGIONS: NZ1-4
WIND EXPOSURE: UP TO 30m ABOVE GROUND

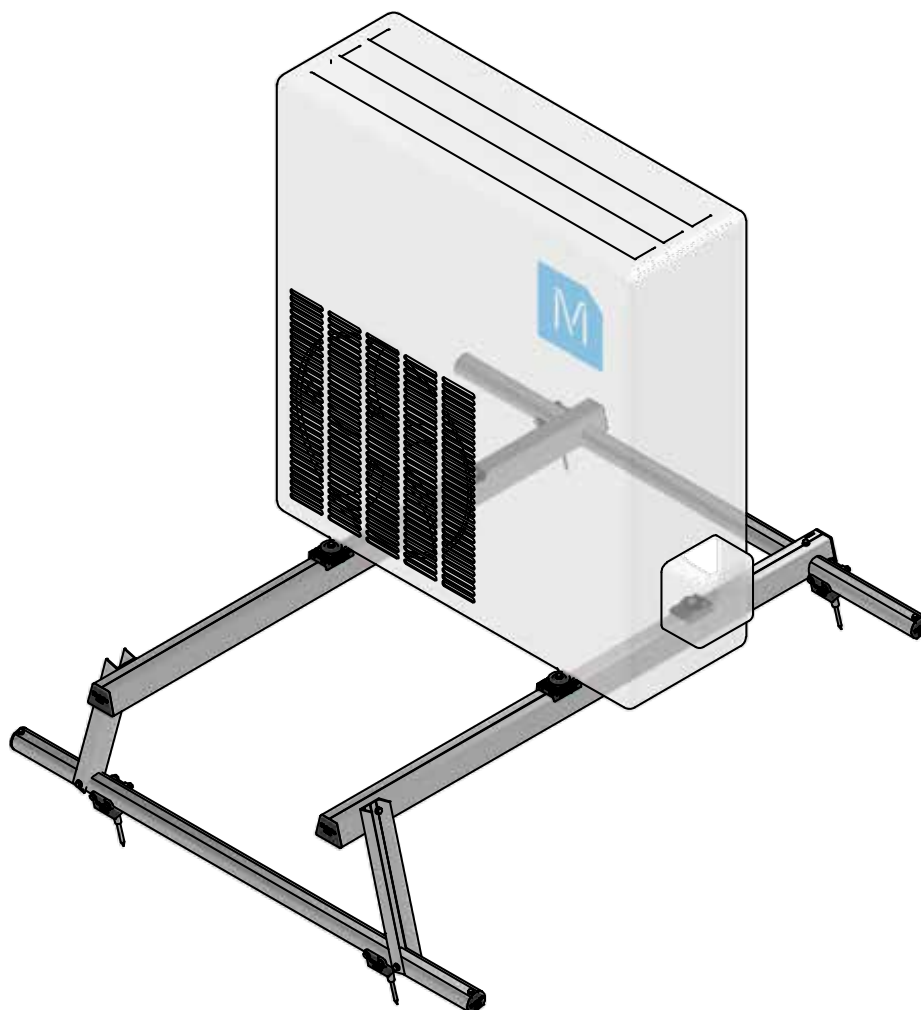
DESIGN CRITERIA: AUSTRALIA

IMPORTANCE LEVEL = 2
SOIL CLASS = C (Worst Case)
SEISMIC HAZARD FACTOR (Z) ≤ 0.15
HORIZONTAL SEISMIC ACCELERATION ≤ 0.5G
WIND REGIONS: A & B
WIND EXPOSURE: UP TO 30m ABOVE GROUND





PART EXPLODED VIEW



Monkeytoe

EVERYTHING BETTER

NEW ZEALAND AUSTRALIA

0800 658 637 - www.monkeytoe.co.nz | 1800 875 808 - www.monkeytoe.com.au

120kg TOP FIX CONDENSER MOUNT		
MONKEYTOE GROUP		
DWG No: CM01-CSS-1	19/05/2022	
	SHEET 1 OF 1	A3
DO NOT SCALE	SCALE: NTS	REV:1
DIMENSIONS IN MILLIMETERS		





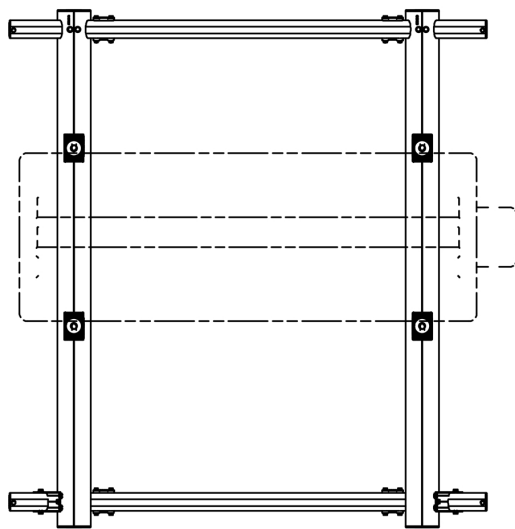
CONFIGURATIONS		
CODE	MAX. PURLIN SPACING	MAX. ROOF PITCH
CM02.12.1	1200mm	6°
CM02.12.3		13°
CM02.12.6		28°
CM02.18.1	1800mm	4°
CM02.18.3		9°
CM02.18.6		18°
CM02.24.1	2400mm	3°
CM02.24.3		6°
CM02.24.6		13°

**FOR SPLIT STYLE UNITS ONLY
NOT SUITABLE FOR VRF UNITS.**

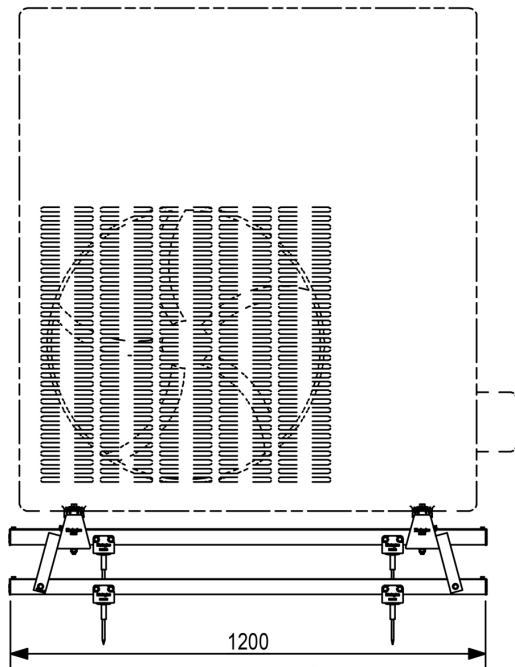
WIND REGIONS NZ1 TO NZ4, A0-5, B1 & B2:

MAX. UNBRACED UNIT HEIGHT = 1400mm*
MAX. BRACED UNIT HEIGHT = 1600mm @ 1000mm WIDE
MAX. UNIT WIDTH = 1350mm @ 1400mm TALL

* REFER TO UNIT MANUFACTURERS BRACING REQUIREMENTS FOR UNITS LESS THAN SPECIFIED HEIGHT.

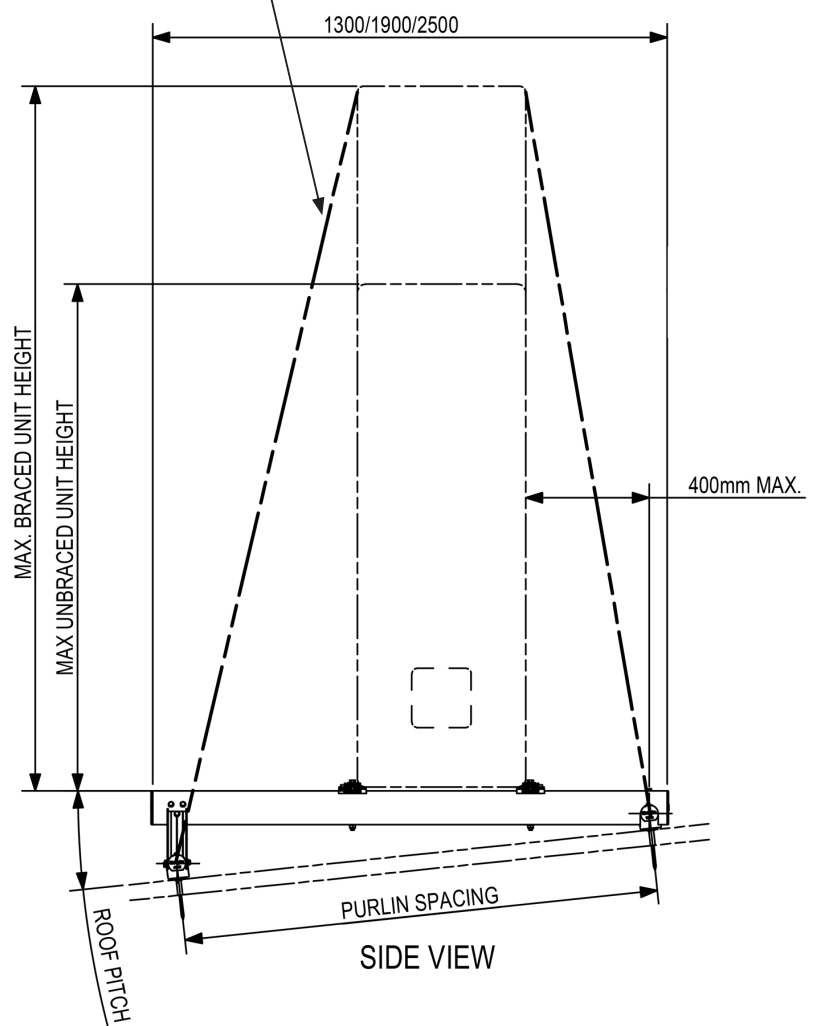


PLAN VIEW



FRONT VIEW

STRAP BRACING FIXED TO PM01 ROOF RAILS, BOTH SIDES (NOT INCLUDED IN KIT)



SIDE VIEW

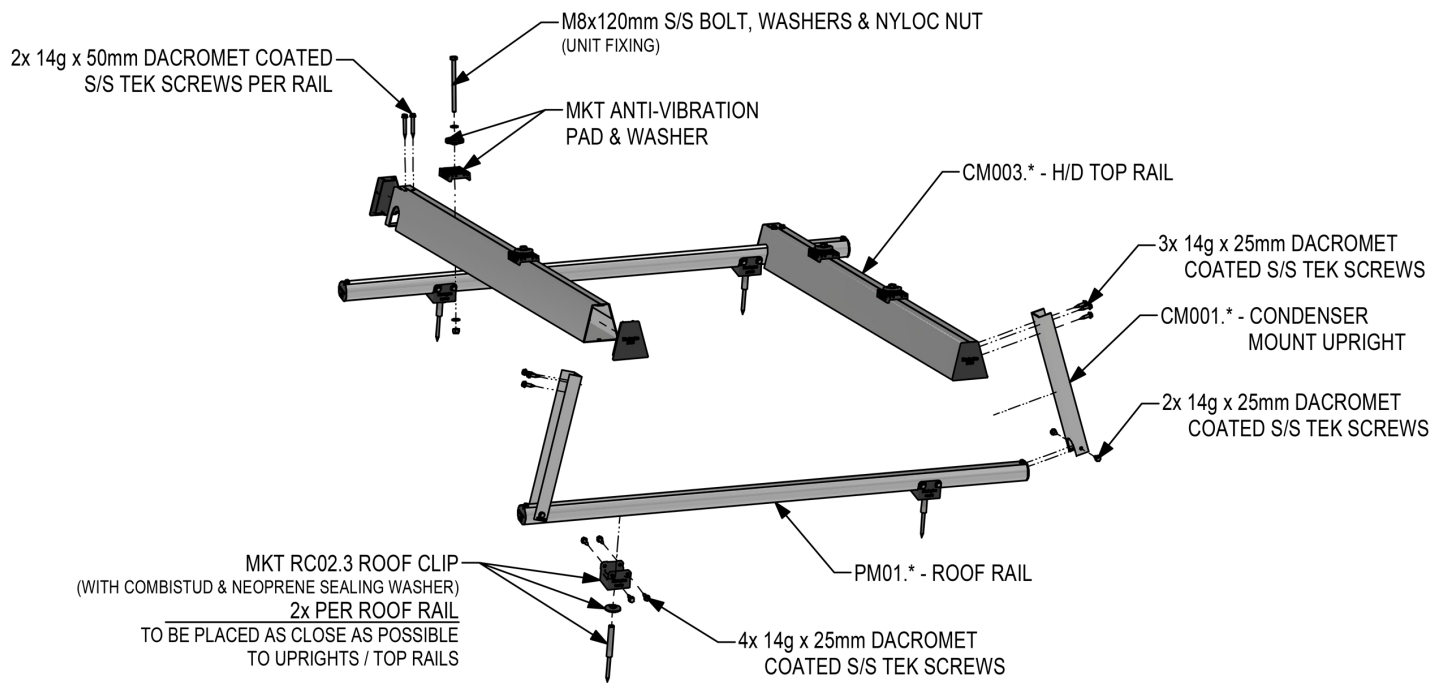
DESIGN CRITERIA: NEW ZEALAND

IMPORTANCE LEVEL = 2
SOIL CLASS = C (Worst Case)
SEISMIC HAZARD FACTOR (Z) ≤ 0.42
HORIZONTAL SEISMIC ACCELERATION ≤ 2.2G
WIND REGIONS: NZ1-4
WIND EXPOSURE: UP TO 30m ABOVE GROUND

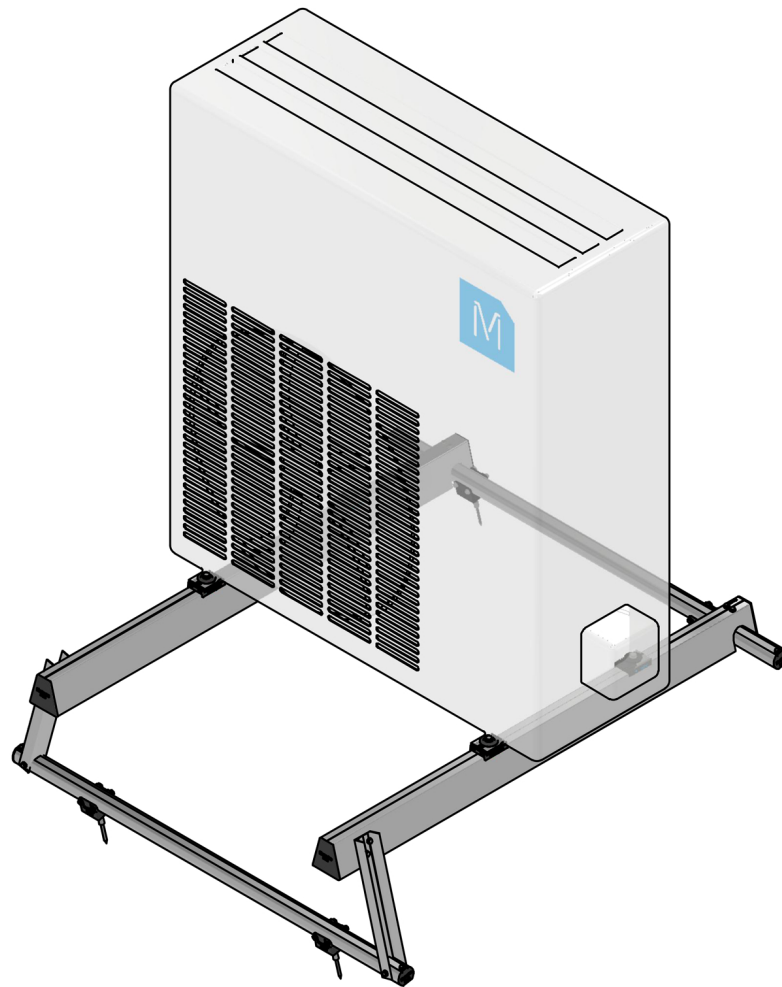
DESIGN CRITERIA: AUSTRALIA

IMPORTANCE LEVEL = 2
SOIL CLASS = C (Worst Case)
SEISMIC HAZARD FACTOR (Z) ≤ 0.15
HORIZONTAL SEISMIC ACCELERATION ≤ 0.5G
WIND REGIONS: A & B
WIND EXPOSURE: UP TO 30m ABOVE GROUND





PART EXPLODED VIEW



Monkeytoe

EVERYTHING BETTER

NEW ZEALAND AUSTRALIA

0800 658 637 - www.monkeytoe.co.nz | 1800 875 808 - www.monkeytoe.com.au

200kg TOP FIX CONDENSER MOUNT		
MONKEYTOE GROUP		
DWG No: CM02-CSS-1	19/05/2022	
	SHEET 1 OF 1	A3
DO NOT SCALE	SCALE: NTS	REV:1
DIMENSIONS IN MILLIMETERS		





CONFIGURATIONS		
CODE	MAX. PURLIN SPACING	MAX. ROOF PITCH
CM03.12.1	1200mm	6°
CM03.12.3		13°
CM03.12.6		28°
CM03.18.1	1800mm	4°
CM03.18.3		9°
CM03.18.6		18°
CM03.24.1	2400mm	3°
CM03.24.3		6°
CM03.24.6		13°

WIND REGIONS NZ1-4 & A0-5:

SPLIT STYLE UNITS:

MAX. UNBRACED UNIT HEIGHT = 1400mm*
 MAX. BRACED UNIT HEIGHT = 1700mm @ 1100mm WIDE
 MAX. UNIT WIDTH = 1400mm @ 1500mm TALL
 MAX. UNIT WIDTH = 1900mm @ 1350mm TALL

VRF UNITS:

SUITABLE FOR VRF UNITS ON 1200 & 1800mm PURLIN SPACINGS ONLY. BRACING REQUIRED FOR ALL VRF UNITS ON 1800mm PURLINS.

MAX. UNIT HEIGHT = 1850mm*
 MAX. UNIT WIDTH = 1210mm
 MAX. UNIT DEPTH = 1000mm

WIND REGIONS B1 & B2:

SPLIT STYLE UNITS:

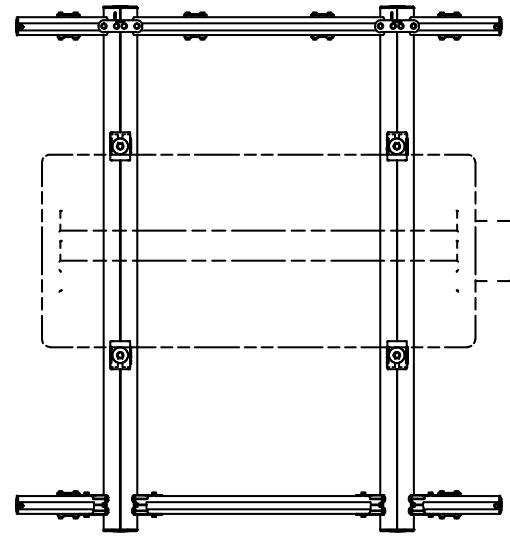
MAX. UNBRACED UNIT HEIGHT = 1400mm*
 MAX. BRACED UNIT HEIGHT = 1700mm @ 1100mm WIDE
 MAX. UNIT WIDTH = 1400mm @ 1400mm TALL
 MAX. UNIT WIDTH = 1700mm @ 1200mm TALL

VRF UNITS:

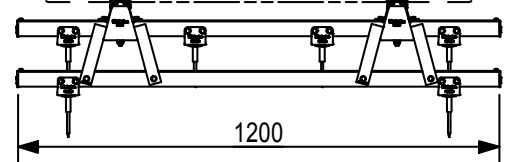
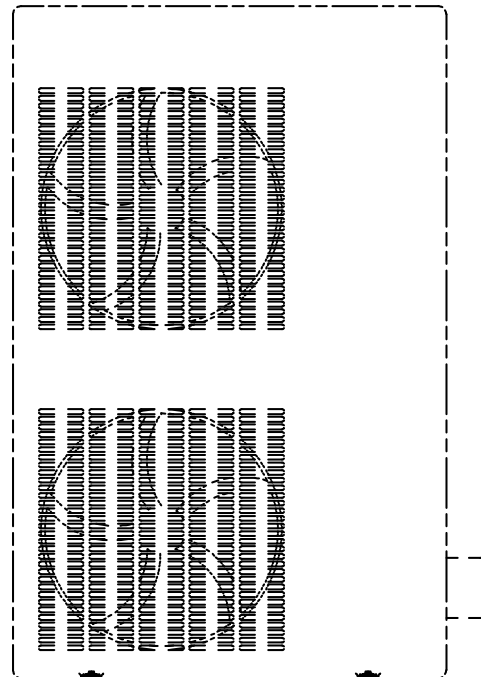
SUITABLE FOR VRF UNITS ON 1200 & 1800mm PURLIN SPACINGS ONLY. BRACING REQUIRED FOR ALL VRF UNITS ON 1800mm PURLINS.

MAX. UNIT HEIGHT = 1850mm*
 MAX. UNIT WIDTH = 1000mm
 MAX. UNIT DEPTH = 1000mm

* REFER TO UNIT MANUFACTURERS BRACING REQUIREMENTS FOR UNITS LESS THAN SPECIFIED HEIGHT.



PLAN VIEW



FRONT VIEW

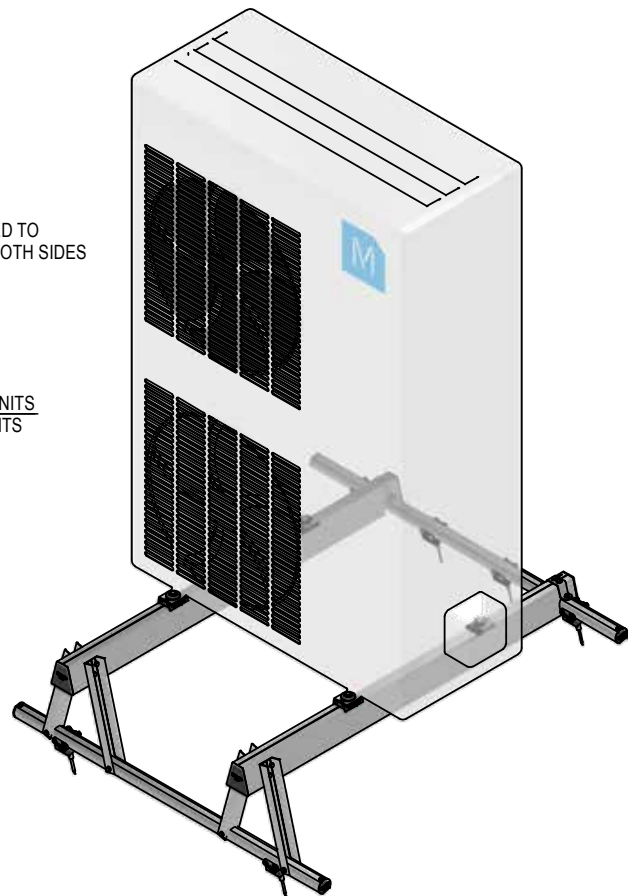
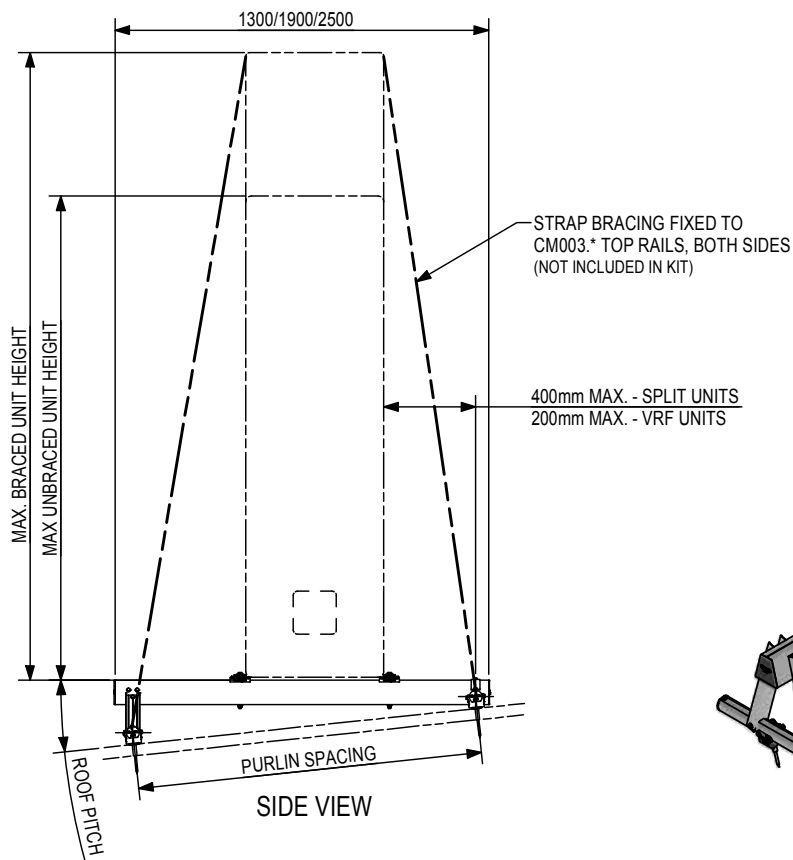
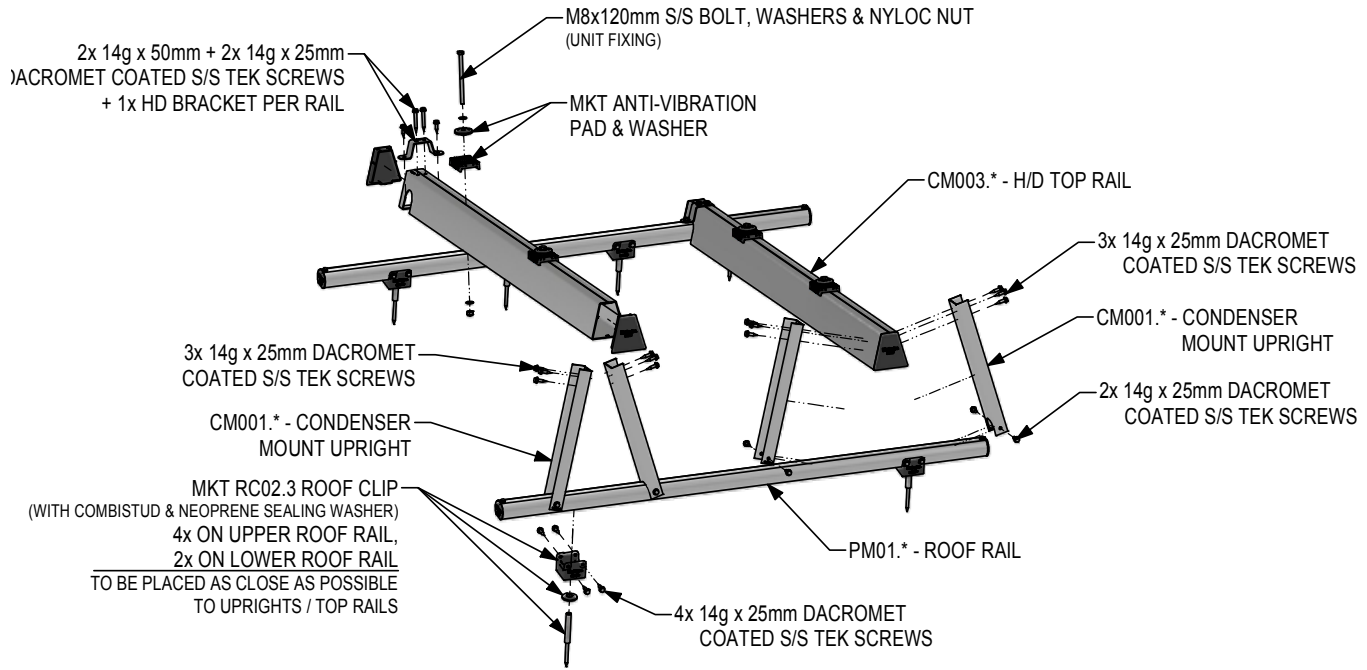
DESIGN CRITERIA: NEW ZEALAND

IMPORTANCE LEVEL = 2
 SOIL CLASS = C (Worst Case)
 SEISMIC HAZARD FACTOR (Z) ≤ 0.42
 HORIZONTAL SEISMIC ACCELERATION ≤ 2.2g
 WIND REGIONS: NZ1-4
 WIND EXPOSURE: UP TO 30m ABOVE GROUND

DESIGN CRITERIA: AUSTRALIA

IMPORTANCE LEVEL = 2
 SOIL CLASS = C (Worst Case)
 SEISMIC HAZARD FACTOR (Z) ≤ 0.15
 HORIZONTAL SEISMIC ACCELERATION ≤ 0.5g
 WIND REGIONS: A & B
 WIND EXPOSURE: UP TO 30m ABOVE GROUND





Monkeytoe

EVERYTHING BETTER

NEW ZEALAND AUSTRALIA

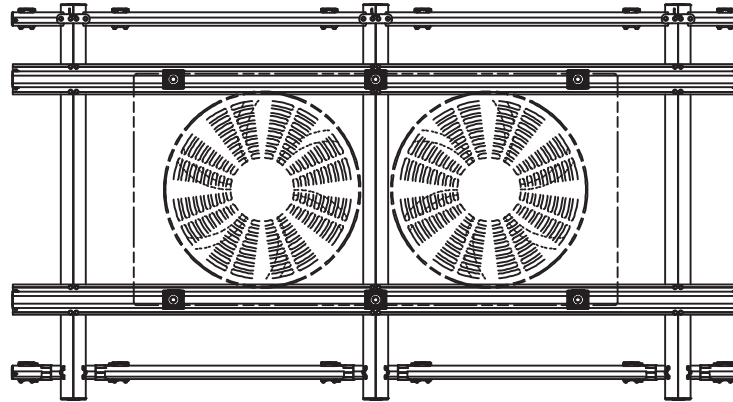
0800 658 637 - www.monkeytoe.co.nz | 1800 875 808 - www.monkeytoe.com.au

300kg TOP FIX CONDENSER MOUNT	
MONKEYTOE GROUP	
DWG No: CM03-CSS-1	19/05/2022
	SHEET 1 OF 1
DO NOT SCALE	SCALE: NTS
	REV:1
	DIMENSIONS IN MILLIMETERS

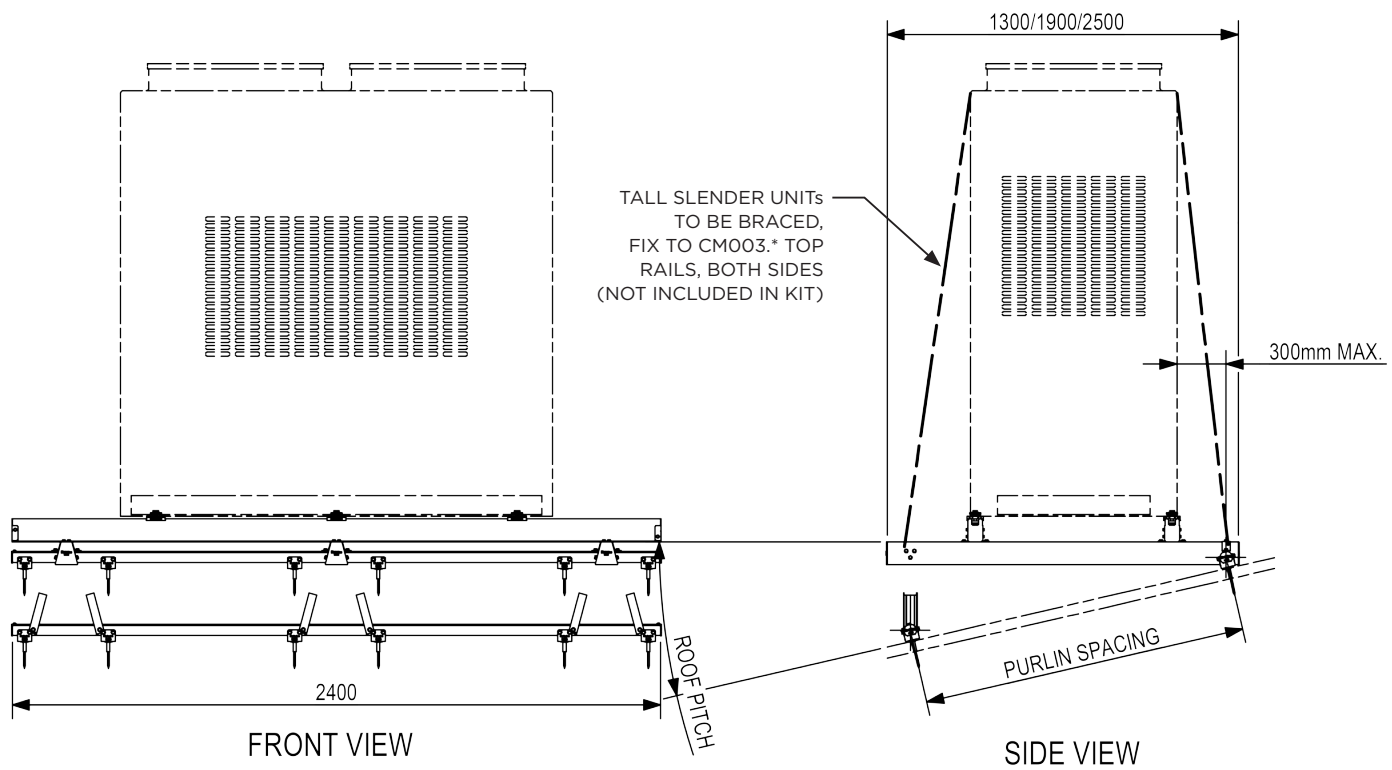




CONFIGURATIONS		
CODE	MAX. PURLIN SPACING	MAX. ROOF PITCH
CM05.12.1	1200mm	6°
CM05.12.3		13°
CM05.12.6		28°
CM05.18.1	1800mm	4°
CM05.18.3		9°
CM05.18.6		18°
CM05.24.1	2400mm	3°
CM05.24.3		6°
CM05.24.6		13°



PLAN VIEW



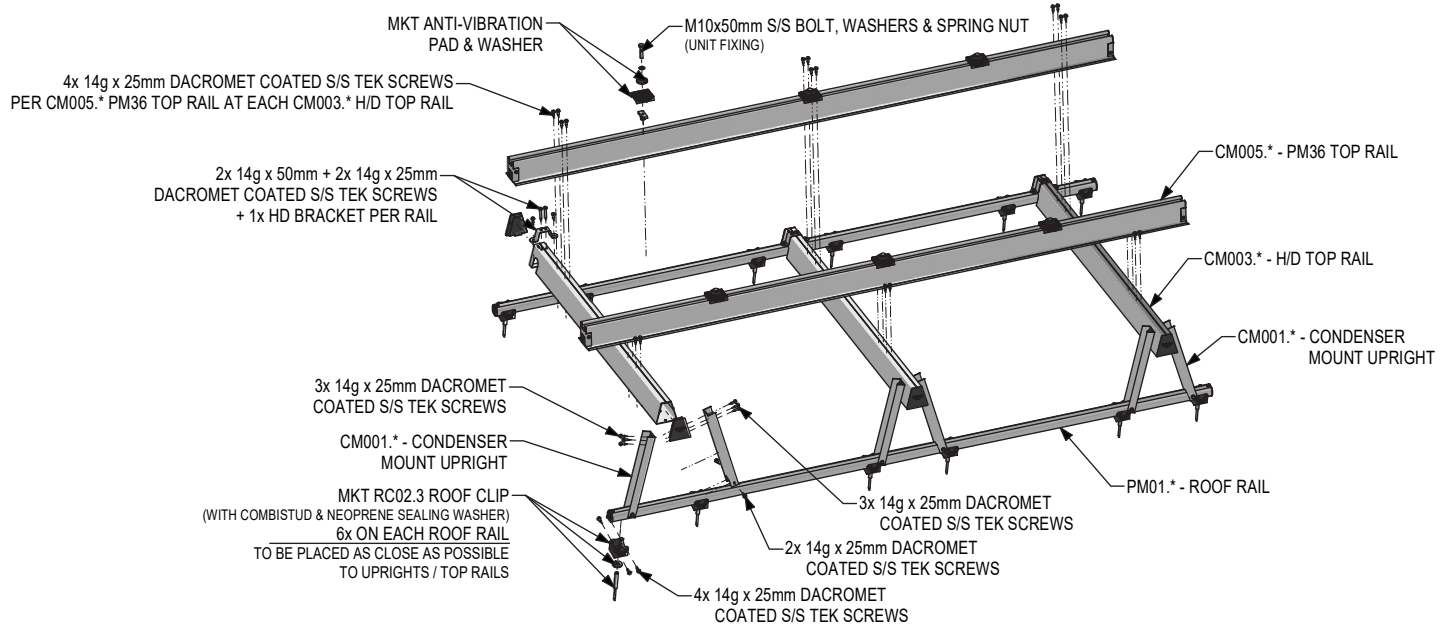
DESIGN CRITERIA: NEW ZEALAND

IMPORTANCE LEVEL = 2
 SOIL CLASS = C (Worst Case)
 SEISMIC HAZARD FACTOR (Z) ≤ 0.42
 HORIZONTAL SEISMIC ACCELERATION ≤ 2.2g
 WIND REGIONS: NZ1-4
 WIND EXPOSURE: UP TO 30m ABOVE GROUND

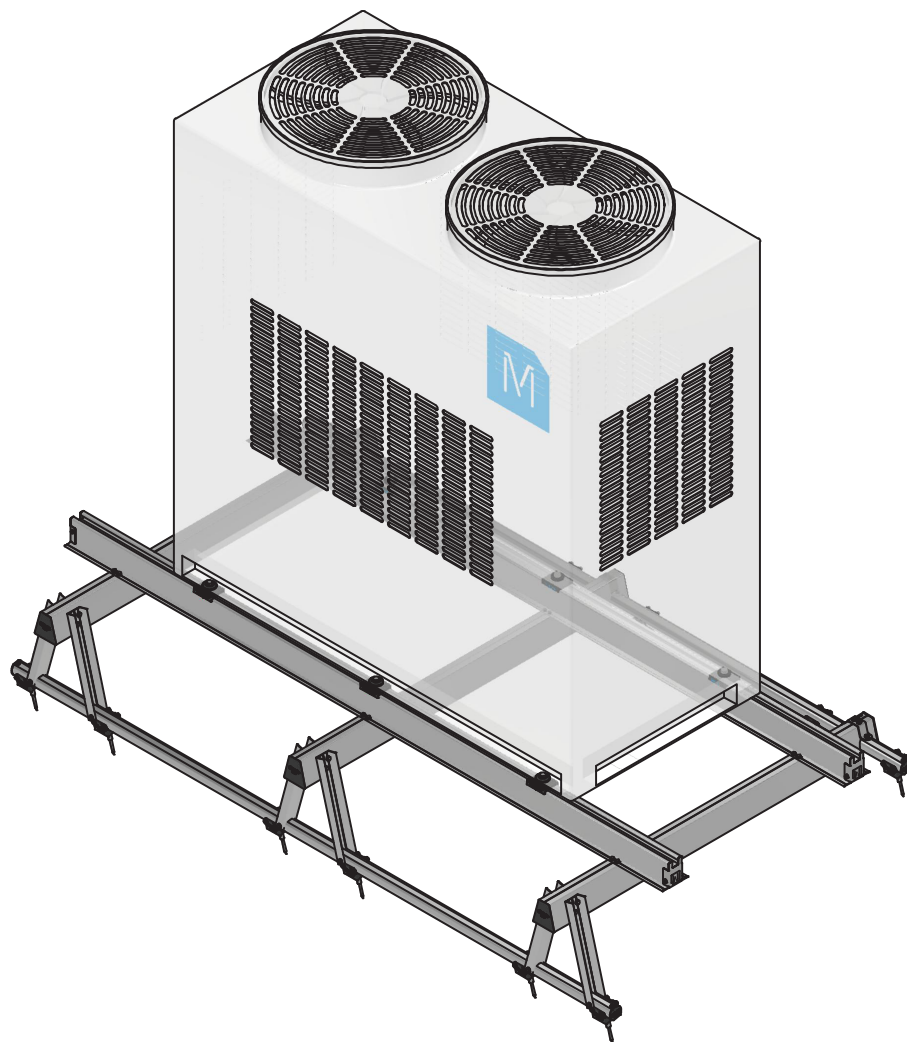
DESIGN CRITERIA: AUSTRALIA

IMPORTANCE LEVEL = 2
 SOIL CLASS = C (Worst Case)
 SEISMIC HAZARD FACTOR (Z) ≤ 0.15
 HORIZONTAL SEISMIC ACCELERATION ≤ 0.5g
 WIND REGIONS: A & B
 WIND EXPOSURE: UP TO 30m ABOVE GROUND





PART EXPLODED VIEW



NOTE:
 FOR 2400mm PURLINS A 4th CM003.25 H/D TOP RAIL AND PAIR OF CM001.* UPRIGHTS ARE REQUIRED.

Monkeytoe

EVERYTHING BETTER

NEW ZEALAND AUSTRALIA

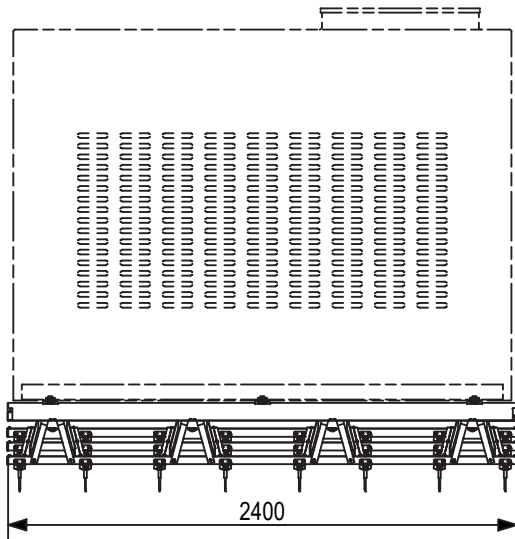
0800 658 637 - www.monkeytoe.co.nz | 1800 875 808 - www.monkeytoe.com.au

500kg TOP FIX CONDENSER MOUNT			
MONKEYTOE GROUP			
DWG No: CM05-CSS-1		19/05/2022	
SHEET 1 OF 1		A3	
DO NOT SCALE		SCALE: NTS	
		REV:1	
DIMENSIONS IN MILLIMETERS			

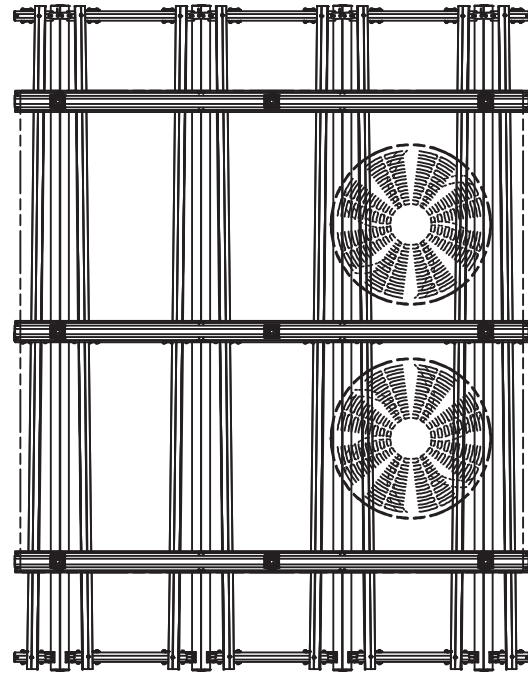




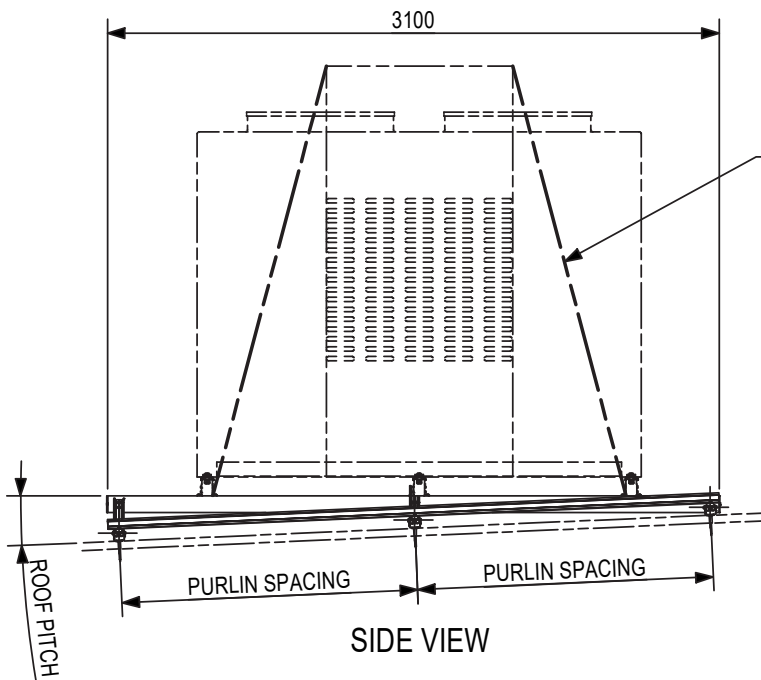
CONFIGURATIONS		
CODE	MAX. PURLIN SPACING	MAX. ROOF PITCH
CM10.30.1	1200mm	3°
	1500mm	2.5°
CM10.30.3	1200mm	6°
	1500mm	5°
CM10.30.6	1200mm	13°
	1500mm	11°



FRONT VIEW



PLAN VIEW



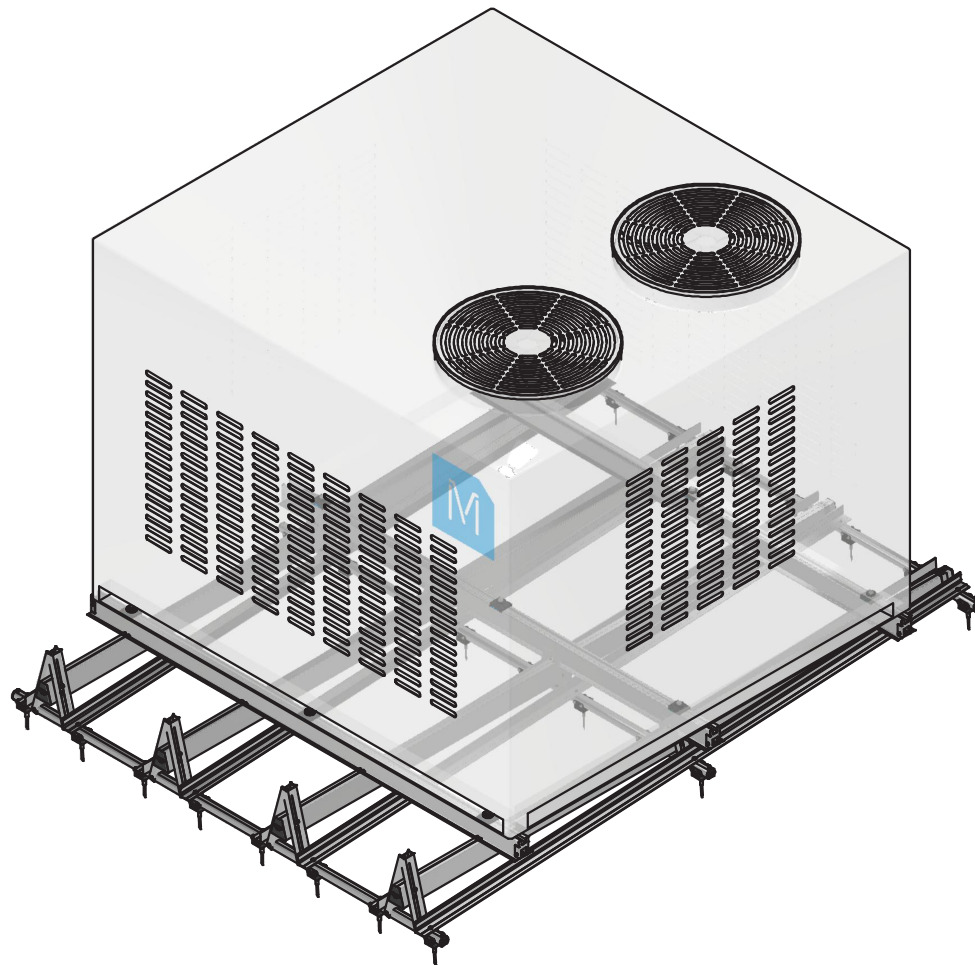
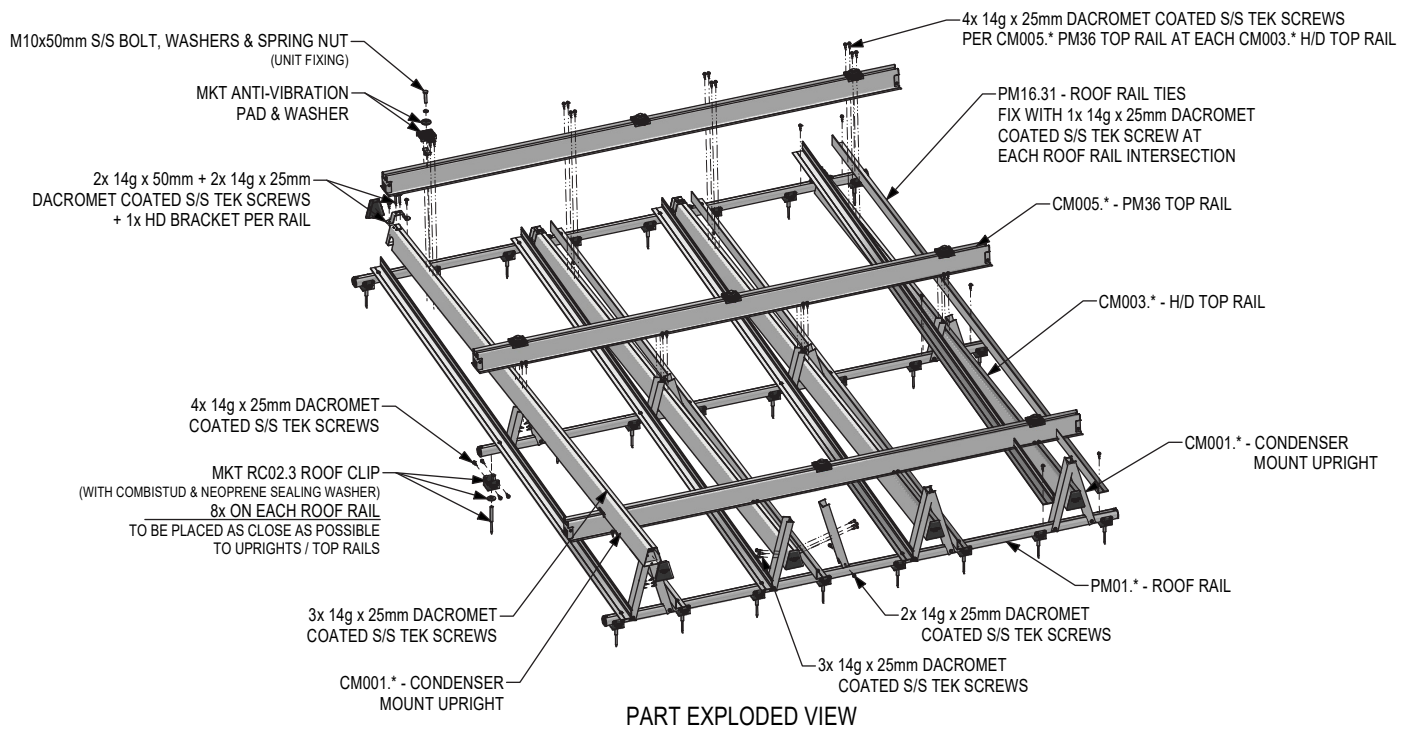
SIDE VIEW

TALL SLENDER UNITs TO BE BRACED, FIX TO CM003.* TOP RAILS, BOTH SIDES (NOT INCLUDED IN KIT)

DESIGN CRITERIA: NEW ZEALAND
 IMPORTANCE LEVEL = 2
 SOIL CLASS = C (Worst Case)
 SEISMIC HAZARD FACTOR (Z) ≤ 0.42
 HORIZONTAL SEISMIC ACCELERATION ≤ 2.2g
 WIND REGIONS: NZ1-4
 WIND EXPOSURE: UP TO 30m ABOVE GROUND

DESIGN CRITERIA: AUSTRALIA
 IMPORTANCE LEVEL = 2
 SOIL CLASS = C (Worst Case)
 SEISMIC HAZARD FACTOR (Z) ≤ 0.15
 HORIZONTAL SEISMIC ACCELERATION ≤ 0.5g
 WIND REGIONS: A & B
 WIND EXPOSURE: UP TO 30m ABOVE GROUND





Monkeytoe

EVERYTHING BETTER

NEW ZEALAND AUSTRALIA

0800 658 637 - www.monkeytoe.co.nz | 1800 875 808 - www.monkeytoe.com.au

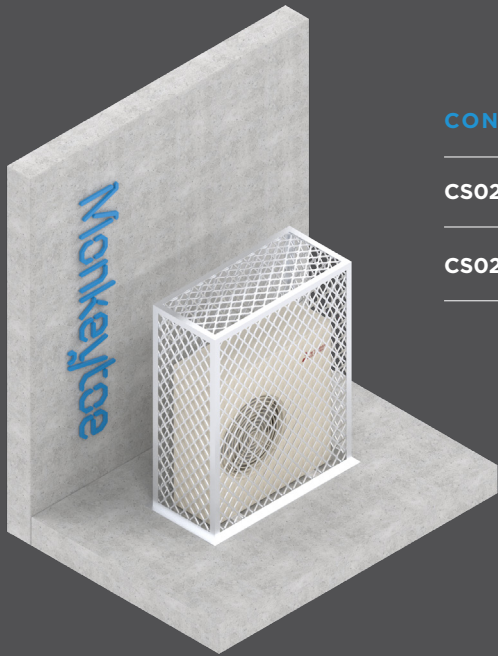
1000kg TOP FIX CONDENSER MOUNT		
MONKEYTOE GROUP		
DWG No: CM10-CSS-1	19/05/2022	
	SHEET 1 OF 1	A3
DO NOT SCALE	SCALE: NTS	REV:1
DIMENSIONS IN MILLIMETERS		



MONKEYTOE

CONDENSER SECURITY COVER

Protection/security cover for any HVAC unit.

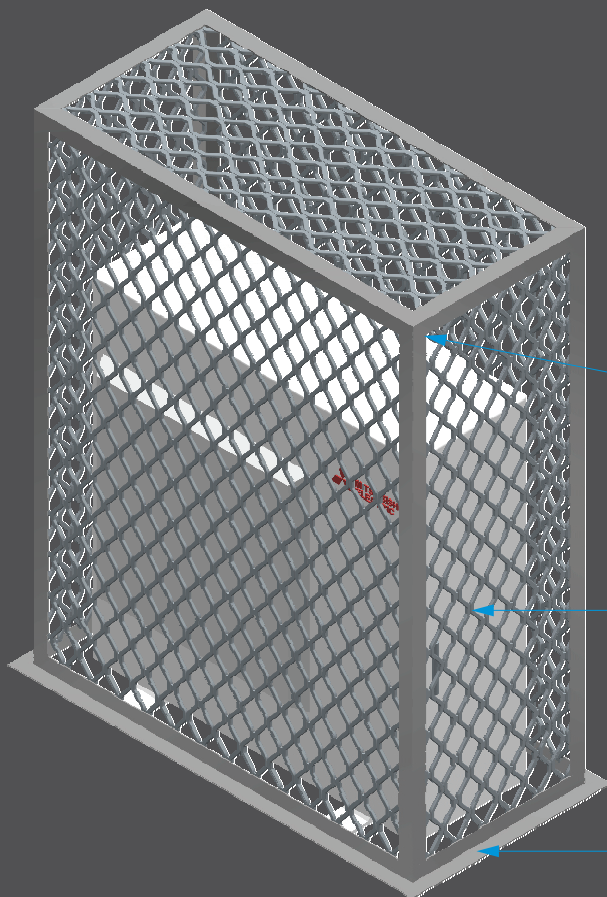


CONDENSER SECURITY COVERS

CS022	Security cover 900mm(H) x 500mm(D) x 1200mm(L)	\$690 +GST
CS022.2	Security cover 900mm(H) x 500mm(D) x 1200mm(L)	\$790 +GST

* Condenser security covers are customised to order, as per your sizing requirements.

CONDENSER SECURITY COVERS



Fully welded construction

Robust aluminium security mesh
60mm diamond on all faces

47 x 3 mm flange for mounting

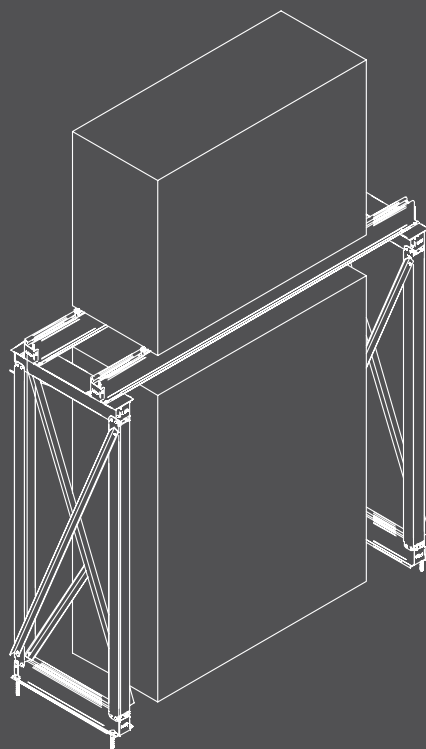
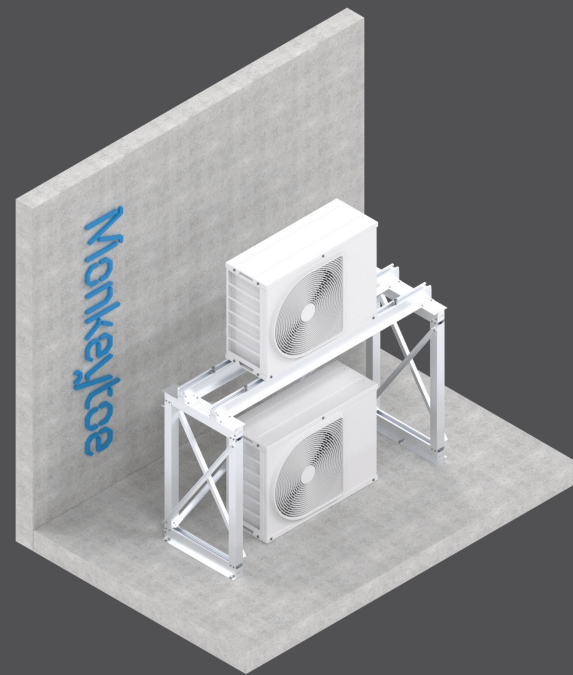
All components marine grade aluminium

MONKEYTOE UNIT STACKER MOUNTS

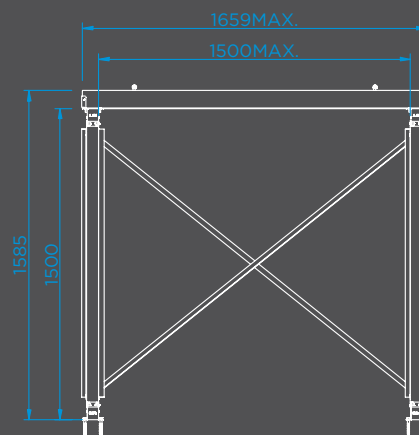
Adjustable aluminium mounting system for stacking HVAC units/packs.

UNIT STACKER

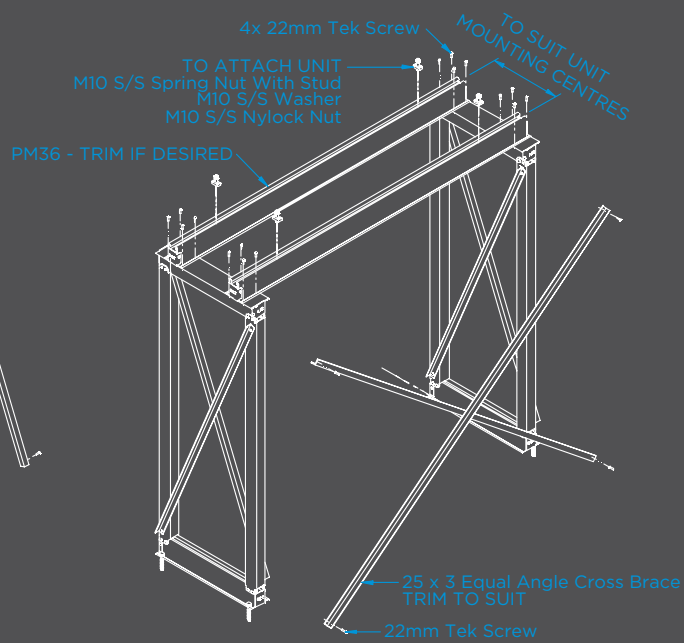
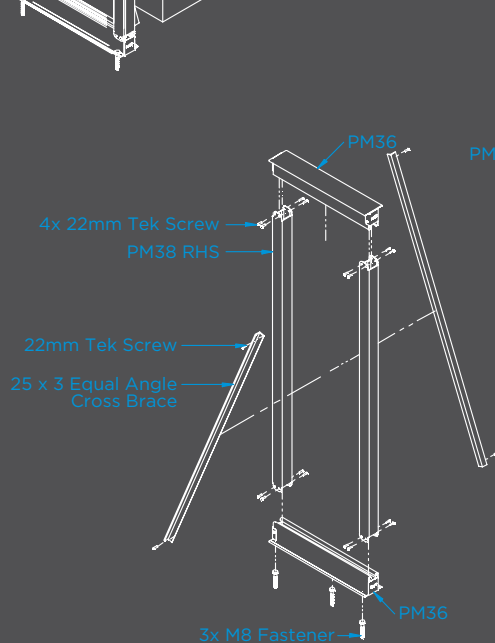
CS025.10	1000mm adjustable unit stacker	\$500 +GST
CS025.15	1500mm adjustable unit stacker	\$550 +GST



SIDE ELEVATION



FRONT ELEVATION



UNIT STACKER MOUNTS

MONKEYTOE

DUCT SUPPORTS

An adjustable roof mounting system that supports any type of ducting, pipework or fans, across roofs or up walls.

The Monkeytoe duct support system is ideally suited as a support structure for ducting, but can also serve as a support structure for other purposes. A perfect support solution for fans, flues, pipework, and other lightweight equipment, or support for cable trays, pipes and other services.



For more information visit www.monkeytoe.co.nz/product/general-mounting/duct-supports

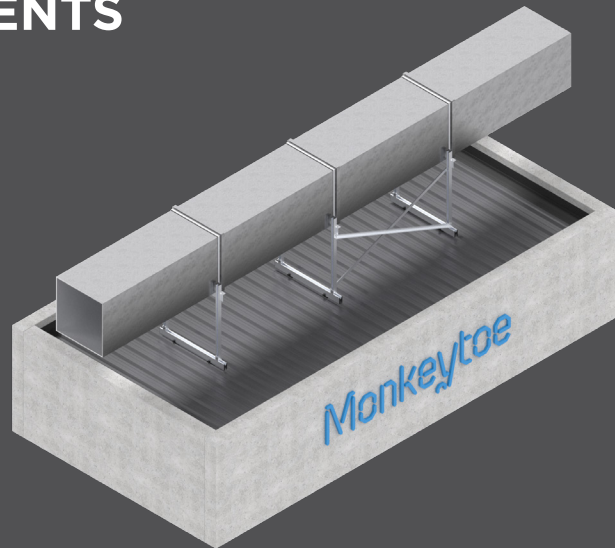
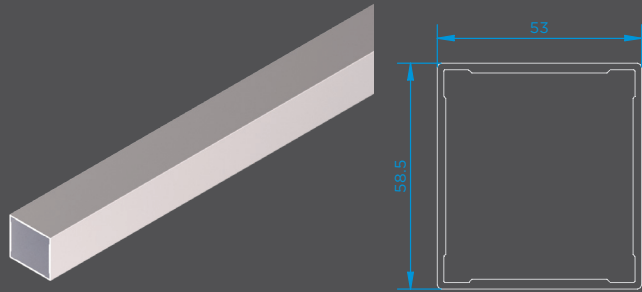
Duct supports

THE KEY BENEFITS

- Kit-set componentry for easy on-site assembly
- Lightweight, high strength T6 aluminium components
- Low maintenance
- Neat appearance
- Suitable for all steel and membrane roof profile designs
- Roof angle adjustment can be achieved from 0° - 15°

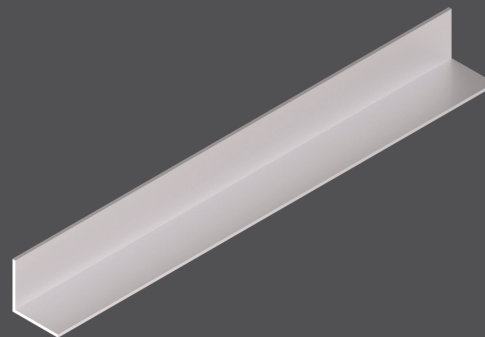
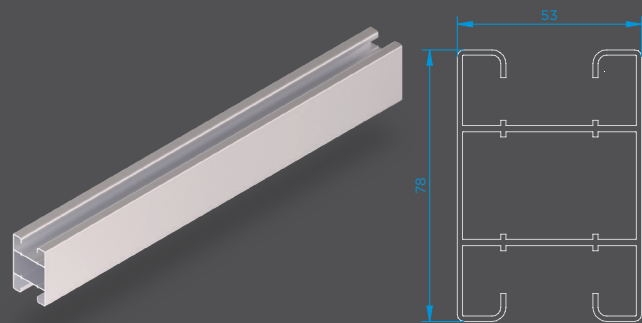


MONKEYTOE DUCT SUPPORT COMPONENTS



DUCT SUPPORT COMPONENTS

- | | |
|------------------|-------------------------------------|
| DS104.11+ | Vertical support - PM38 1100mm long |
| DS104.15+ | Vertical support - PM38 1500mm long |
| DS104.20+ | Vertical support - PM38 2000mm long |

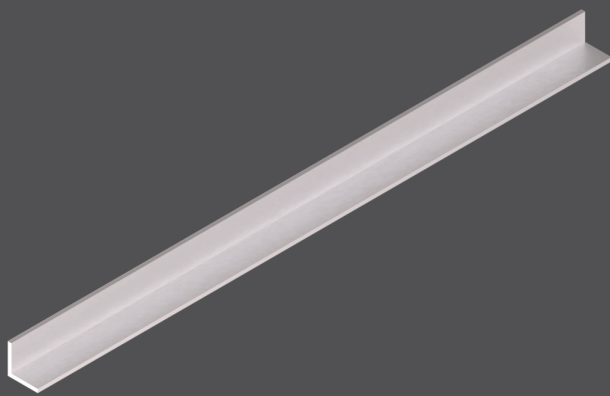
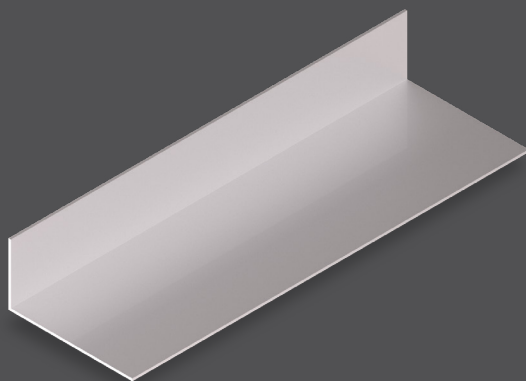


DUCT SUPPORT COMPONENTS

- | | |
|-------------|-------------------------------|
| PM06 | Roof rail - 75x53mm extrusion |
|-------------|-------------------------------|

DUCT SUPPORT COMPONENTS

- | | |
|-------------|---------------------------|
| PM16 | Bay brace - 50x50x3 angle |
|-------------|---------------------------|



DUCT SUPPORT COMPONENTS

- | | |
|---------------------|---------------------------------|
| PA150.075.03 | Support rail - 150x75x3mm angle |
|---------------------|---------------------------------|

DUCT SUPPORT COMPONENTS

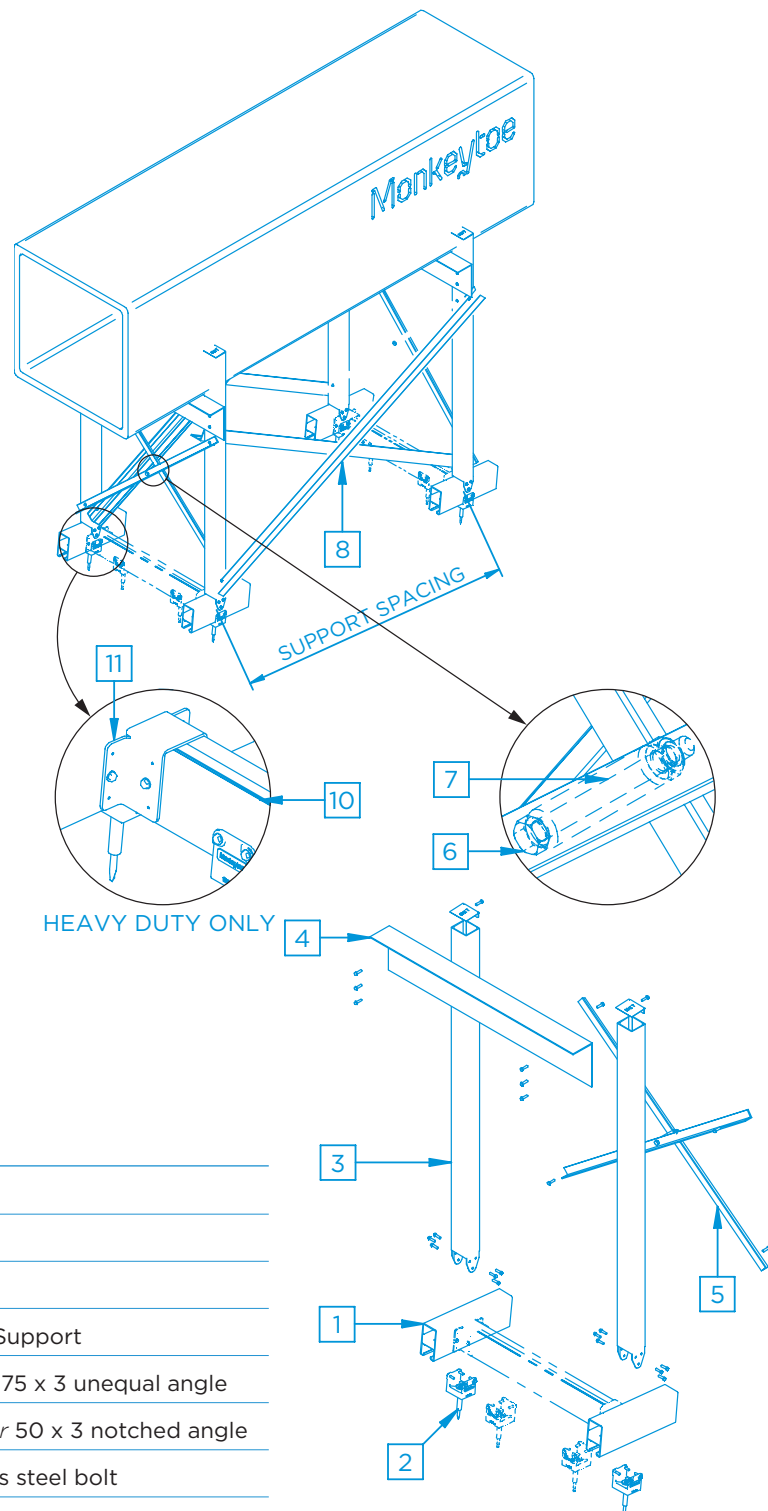
- | | |
|----------------------|---------------------------------|
| PA25.025.03.2 | Support rail - 150x75x3mm angle |
|----------------------|---------------------------------|

DUCT SUPPORT COMPONENTS

MONKEYTOE - INSTALLATION GUIDE

DOWN THE ROOF DUCT SUPPORTS

- 1) Attach roof rails (#1) above purlins with either MKT roof clips as supplied (#2). These should be spaced slightly wider than the duct. See separate roof clip details.
- 2) Position vertical supports (#3) and attach with 6 x 22mm TEK screws.
- 3) Level duct support (#4) at desired height and fix to vertical supports with 3 x 22mm TEK screws.
- 4) Cross brace vertical supports (#6) with 25 x 3 angle (#5) on either side. Trim and position brace to suit and fix with 1 x 22mm TEK screw each side. Drill a Dia. 9 hole thru brace and join with bolt and spacer (#6, #7).
- 5) Install remaining supports as above. Cross brace required bays with PM16 (#8) and 1 x 22mm TEK screw each side. Trim and position to suit. (Refer to design table for maximum spacing and cross brace frequency).
- 6) Strap duct to supports or attach with bolts through flange (not included).

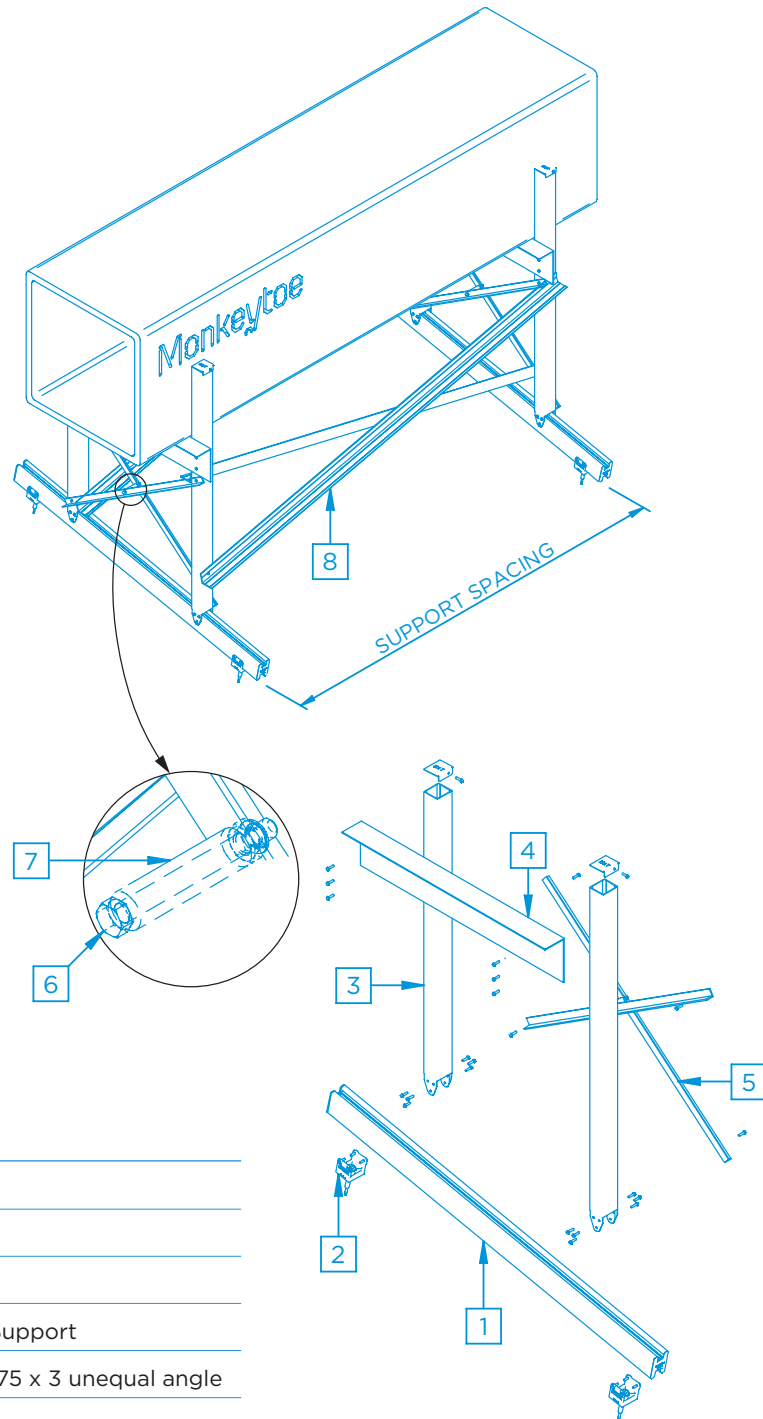


ITEM CODE	DESCRIPTION
1 PM06	Roof Rail
2 RC01*	Roof Clip
3 DS104*	Adjustable Vertical Support
4 DS105	Support Rail - 150 x 75 x 3 unequal angle
5 PA025.025.03 or PM16	25 x 3 equal angle or 50 x 3 notched angle
6 FBS08.80	M8 x 80mm stainless steel bolt
7 PR16	60mm hollow tube spacer
8 PM16	Bay brace - 50 x 3 notched angle
9 FTS01.22	12g x 22mm stainless steel self drilling tek

MONKEYTOE - INSTALLATION GUIDE

ACROSS THE ROOF DUCT SUPPORTS

- 1) Attach roof rails (#1) above purlins with either MKT roof clips as supplied (#2). See separate roof clip details.
- 2) Position vertical supports (#3) and attach with 6 x 22mm TEK screws.
- 3) Level duct support (#4) at desired height and fix to vertical supports with 3 x 22mm TEK screws.
- 4) Cross brace vertical supports (#6) with 25 x 3 angle (#5) on either side. Trim and position brace to suit and fix with 1 x 22mm TEK screw each side. Drill a Dia. 9 hole thru brace and join with bolt and spacer (#6, #7).
- 5) Install remaining supports as above. Cross brace required bays with PM16 (#8) and 1 x 22mm TEK screw each side. Trim and position to suit. (Refer to design table for maximum spacing and cross brace frequency).
- 6) Strap duct to supports or attach with bolts through flange (not included).



ITEM CODE	DESCRIPTION
1 PM06	Roof Rail
2 RC01*	Roof Clip
3 DS104*	Adjustable Vertical Support
4 DS105	Support Rail - 150 x 75 x 3 unequal angle
5 PA025.025.03	25 x 3 equal angle
6 FBS08.80	M8 x 80mm stainless steel bolt
7 PR16	60mm hollow tube spacer
8 PM16	Bay brace - 50 x 3 notched angle
9 FTS01.22	12g x 22mm stainless steel self drilling tek



MONKEYTOE

DUCT SUPPORTS - MAXIMUM SPACINGS

UP TO 1250MM DUCT SUPPORT MAXIMUM SPACING

Contact product support for any variations

DUCT SIZE

WIND ZONE	800 x 800mm	1250 x 1250mm	1800 x 1800mm	2240 x 2240mm
Low	2000mm	2000mm	2000mm	2000mm *1
Medium	2000mm	2000mm	1500mm	1500mm
High	1500mm	1500mm	1200mm	1200mm
Very High	1000mm	1000mm	800mm	800mm

Note. *1 = Seismic zone factor ≤ 0.2

1250MM-2000MM DUCT SUPPORT MAXIMUM SPACING

Contact product support for any variations

DUCT SIZE

WIND ZONE	800 x 800mm	1250 x 1250mm	1800 x 1800mm	2240 x 2240mm
Low	2000mm *1	1800mm*2	1400mm*2	2000mm *1
Medium	1500mm	1400mm *1	1100mm *1	1000mm *1
High	1000mm	1000mm	800mm	

Note. *1 = Seismic zone factor ≤ 0.2 *2 = Seismic zone factor ≤ 0.15



MONKEYTOE

CONDENSER WALL MOUNTS

High Tensile, Marine Grade T6 Aluminium Wall Mount Brackets in 2 standard options, 100kg set & 200kg set.



CW100.500 100kg Wall Mount Bracket Set w. 500mm Rail
\$65.00 +GST

CW200.600 200kg Wall Mount Bracket Set w. 500mm Rail
\$97.00 +GST

TYPICAL USES / APPLICATIONS

- High tensile marine grade aluminium mounting solutions for condensers in ground mounted and wall mounted applications.
- Ideally suited as a support for a series of Condenser units.
- Supports for Fans and flues and other light weight equipment.
- Supports for cable trays, pipes and other services.

CHARACTERISTICS / ADVANTAGES

- Quality Heavy Duty Extrusions.
- Mount up to 200kg with standard products.
- Off the shelf items.
- Cost effective
- High tensile marine grade aluminium.
- Strong, lightweight and robust - T6 aluminium construction.
- Low maintenance and neat appearance.
- Easy installation with M10 spring studs.
- Strong, lightweight and robust.

TECHNICAL DATA / MATERIALS

LOADING CAPACITY

- Light Weight Mount - up to 100kg.
 - Heavy Duty Mount - up to 200kg
- Extrusions: varies between sites Connections.

TESTS

APPROVALS / STANDARDS

- Structures design action B1.
- AS/NZS 1170 Standards Australia / New Zealand.
- Aluminium Structures, Part 1: Limit State Design AS/NZS 1664.1 Standards Australia / New Zealand NZS/AS 1657.

WARRANTY

- 25 years materials.

MAINTENANCE

- Visual inspection for any damage or loose fixings must be done periodically to use.
- No certified maintenance required.
- Basic wear and tear preventative maintenance is recommended, as per manufacturer's specifications and recommendations.



Monkeytoe

sales@monkeytoegroup.com | NZ: 0800 658 637 | AU: 1800 875 809

