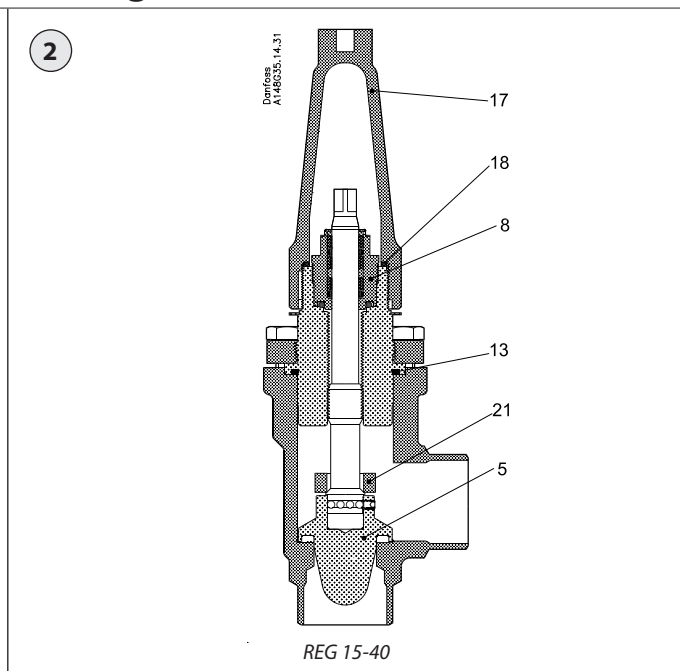
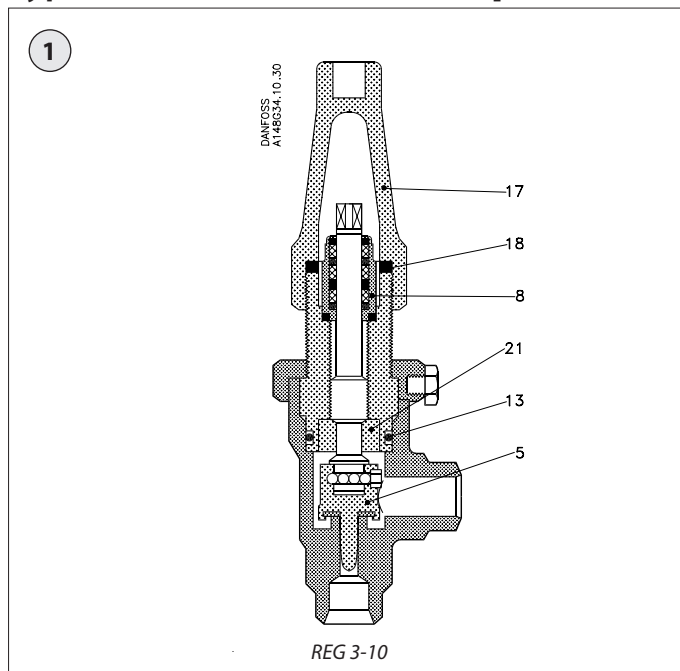


Data sheet – Spare parts and accessories

Hand regulating valves

Type REG 3-40 (1/8-1 1/2 in.) with previous cone design



REG 3-10 (1/8 - 3/8 in.) - fig. 1

| Description | Pos. # | Code no. For cone number (*) |
|---|--------|--|
| Repair kit, complete set of gaskets | | |
| Cone complete incl. steel balls and Allen screw | 5 | (1) 2453+035 (2) 2453+036 (3) 2453+037 |
| Gaskets complete for packing gland | 8a | |
| O-ring for housing/bonnet | 13 | |
| Gasket for cap | 18 | |
| Distance ring | 21 | |
| Allen key | - | |
| Cap incl. gasket | | |
| Cap incl. gasket | 17 | 148B4074 |

REG 25-40 (1 - 1 1/2 in.) - fig. 2

| Description | Pos. # | Code no. For cone number (*) |
|---|--------|---|
| Spare part kit, for bonnet and cap (dismounting set) | | |
| O-ring for housing/bonnet | 13 | 148B4008 |
| Cap incl. gasket | 17 | |
| Gasket for cap | 18 | |
| Repair kit, complete set of gaskets | | |
| Cone complete incl. steel balls and Allen screw | 5 | (8) 2453+042 (9) 2453+043 (10) 2453+044 |
| Gaskets complete for packing gland | 8a | |
| O-ring for housing/bonnet | 13 | |
| Gasket for cap | 18 | |
| Distance ring | 21 | |
| Allen key | - | |

REG 15-25 (1/2 - 1 in.) - fig. 2

| Description | Pos. # | Code no. For cone number (*) |
|---|--------|--|
| Spare part kit, for bonnet and cap (dismounting set) | | |
| O-ring for housing/bonnet | 13 | 148B4053 |
| Cap incl. gasket | 17 | |
| Gasket for cap | 18 | |
| Repair kit, complete set of gaskets | | |
| Cone complete incl. steel balls and Allen screw | 5 | (4) 2453+038 (5) 2453+039 (6) 2453+040 (7) 2453+041 |
| Gaskets complete for packing gland | 8a | |
| O-ring for housing/bonnet | 13 | |
| Gasket for cap | 18 | |
| Distance ring | 21 | |
| Allen key | - | |
| Packing gland incl. gaskets (with O-rings) | | |
| Packing gland incl. gaskets | 8 | 148B4056 |
| Cap incl. gasket | | |
| Cap incl. gasket | 17 | 148B4075 |

Packing gland incl. gaskets (with O-rings)

| | | |
|-----------------------------|----|----------|
| Packing gland incl. gaskets | 8 | 148B4032 |
| Cap incl. gasket | | |
| Cap incl. gasket | 17 | 148B4076 |

All types

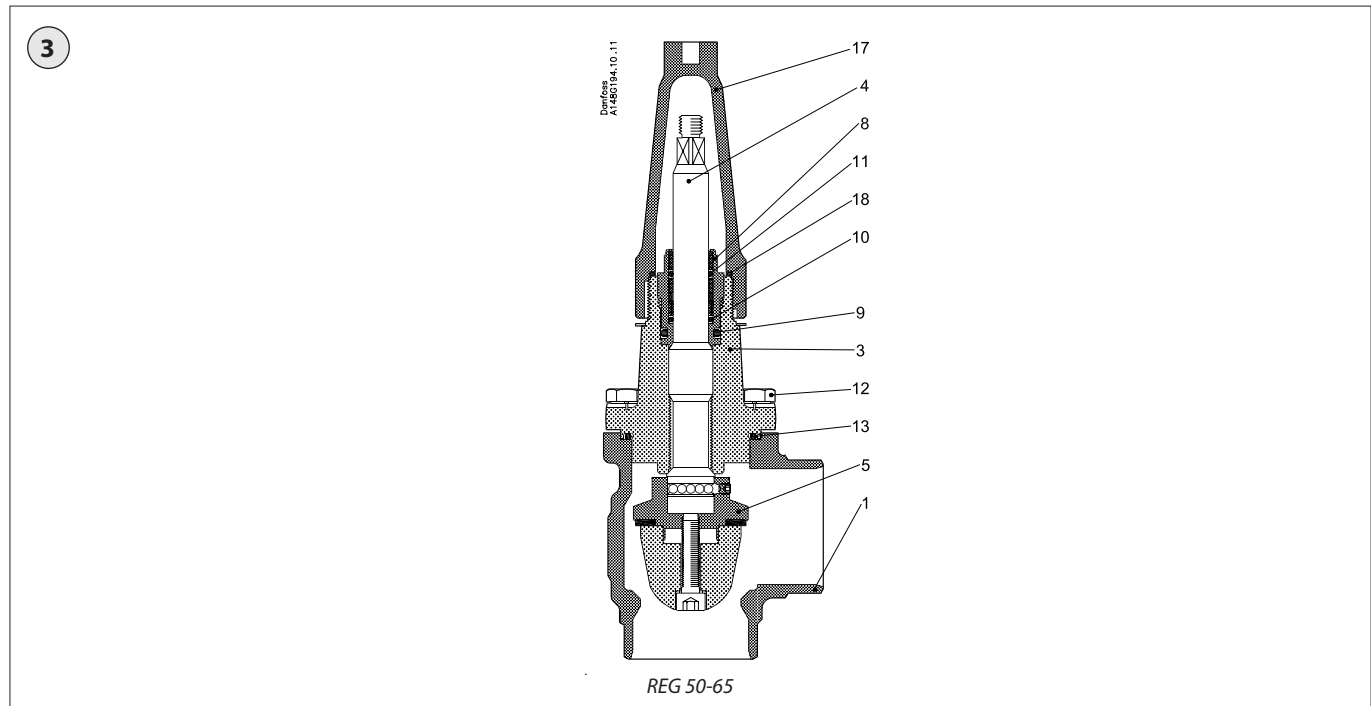
| Description | Code no. |
|--|----------|
| Grease for packing gland (tube) | |
| Grease for packing gland (tube) | 148H3445 |

* Note: Cone no. equal to last digit in type designation (e.g. REG 15 A XXn, n = cone no.)

Data sheet – Spare parts and accessories

Hand regulating valves

Type REG 50-65 (2 - 2½ in.) with previous cone design



REG 50 (2 in.) - fig. 3

| Description | Pos. # | Code no. For cone number (*) |
|---|--------|------------------------------|
| Repair kit, complete set of gaskets | | |
| Cone complete incl. steel balls and Allen screw | 5 | (11) 148G3197 |
| Packing gland incl. gaskets | 8 | |
| O-ring for housing / bonnet | 13 | |
| Gasket for cap | 18 | |
| Allen key | - | |
| Cap incl. gasket | | |
| Cap incl. gasket | 17 | 148B4076 |

REG 65 (2½ in.) - fig. 3

| Description | Pos. # | Code no. |
|---|--------|----------|
| Spare part kit, for bonnet and cap (dismounting set) | | |
| O-ring for housing/bonnet | 13 | 148B4010 |
| Gasket for cap | 18 | |
| Cap incl. gasket | | |
| Cap incl. gasket | 17 | 148B4076 |

All types

| Description | Code no. |
|--|----------|
| Grease for packing gland (tube) | |
| Grease for packing gland (tube) | 148H3445 |