

General Data

No.	Name	Parameter
1.1	Max Air Flow	8800 m ³ /h (A type air outlet wind tunnel)
1.2	Max Static Pressure	200 Pa (A type air outlet wind tunnel)
1.3	Rated Speed	1400 ± 100 r/min
1.4	Input Power	700 ± 16% W
1.5	Rated Voltage	230 VAC 50/60Hz
1.6	Operating Voltage	230 VAC 50/60Hz
1.7	Start Voltage	1.4VDC
1.8	Rated Current	3 ± 16% A
1.9	Noise Level	74 ± 5 dB(A)
1.10	Direction	CCW (seen on rotor of motor)
1.11	Insulation Class	F
1.12	Withstand voltage	1800 VDC 10 mA 60 s Voltage:1800 VDC Tripping current:10 mA Time: 60 s
1.13	Insulation Resistance	500VDC ≥50MΩ Voltage:500VDC Resistance: ≥50MΩ
1.14	Electrical Protection	Undervoltage protection Overvoltage protection Overcurrent protection Locked rotor protection Automatic restart capability Soft start
1.15	Speed Control	0~10 VDC & PWM

1.16	Grounding Resistance	$\leq 0.1\Omega$
1.17	IP Class	IP44
1.18	Signal Feedback	FG 1 FG sign:open-drain output, external pull-up resistor 1 pulses / R
1.19	Vibration	$\leq 4.6\text{mm/s}$
1.20		+10VDC
1.21	RoHS	RoHS All the material meets RoHS standard.

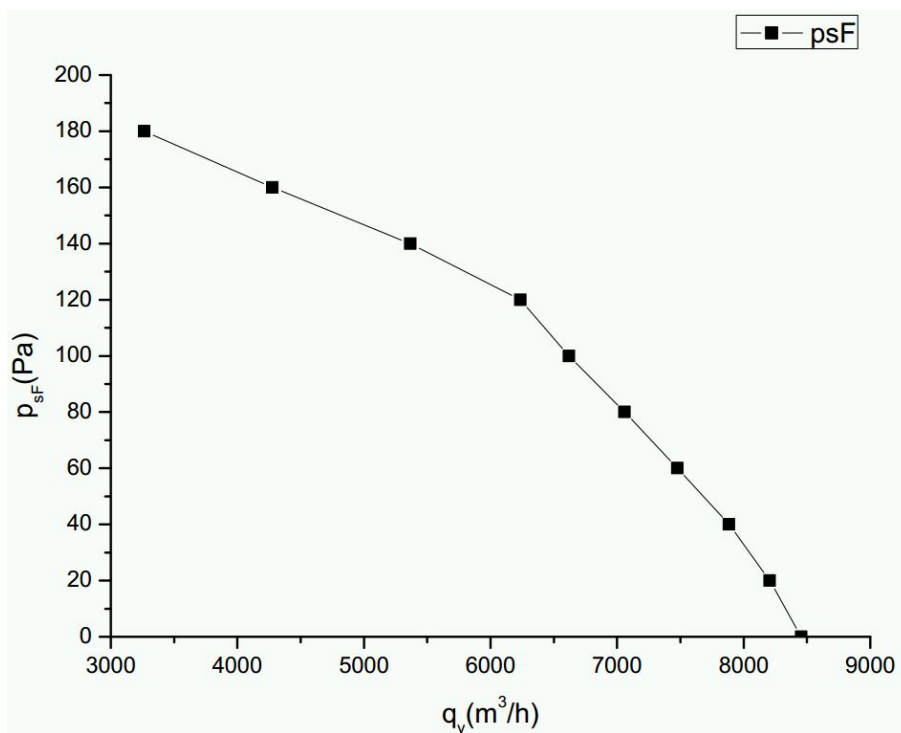
Mechanical

No.	Name	Parameter
2.1	Dimension	(see dimension drawing)
2.2	Material of Blades	SPCC
2.3	Number of Blades	5
2.4	Impeller Plate	/
2.5	Impeller Color	Black
2.6	Surface coat	
2.7	Bearing	6003ZZ Deep groove ball bearings 6003ZZ
2.8	Lead Wire	3×AWG#18 L=1.5m
2.9	Control wire	4×AWG#20 L=1.5m
2.10	Net Weight	10.8kg
2.11	Gross Weight	11.8kg
2.12	Carton Size	55X55X20cm
2.13	Package	Carton with shock- absorption material, put on pallet

Operating Environment

No.	Name	Parameter
3.1	Operating Temperature	-25°C to 60°C
3.2	Storage Temperature	-40°C to 75°C
3.3	Operating Humidity	5% to 90% RH
3.4	Storage Humidity	5% to 95% RH

Performance curve



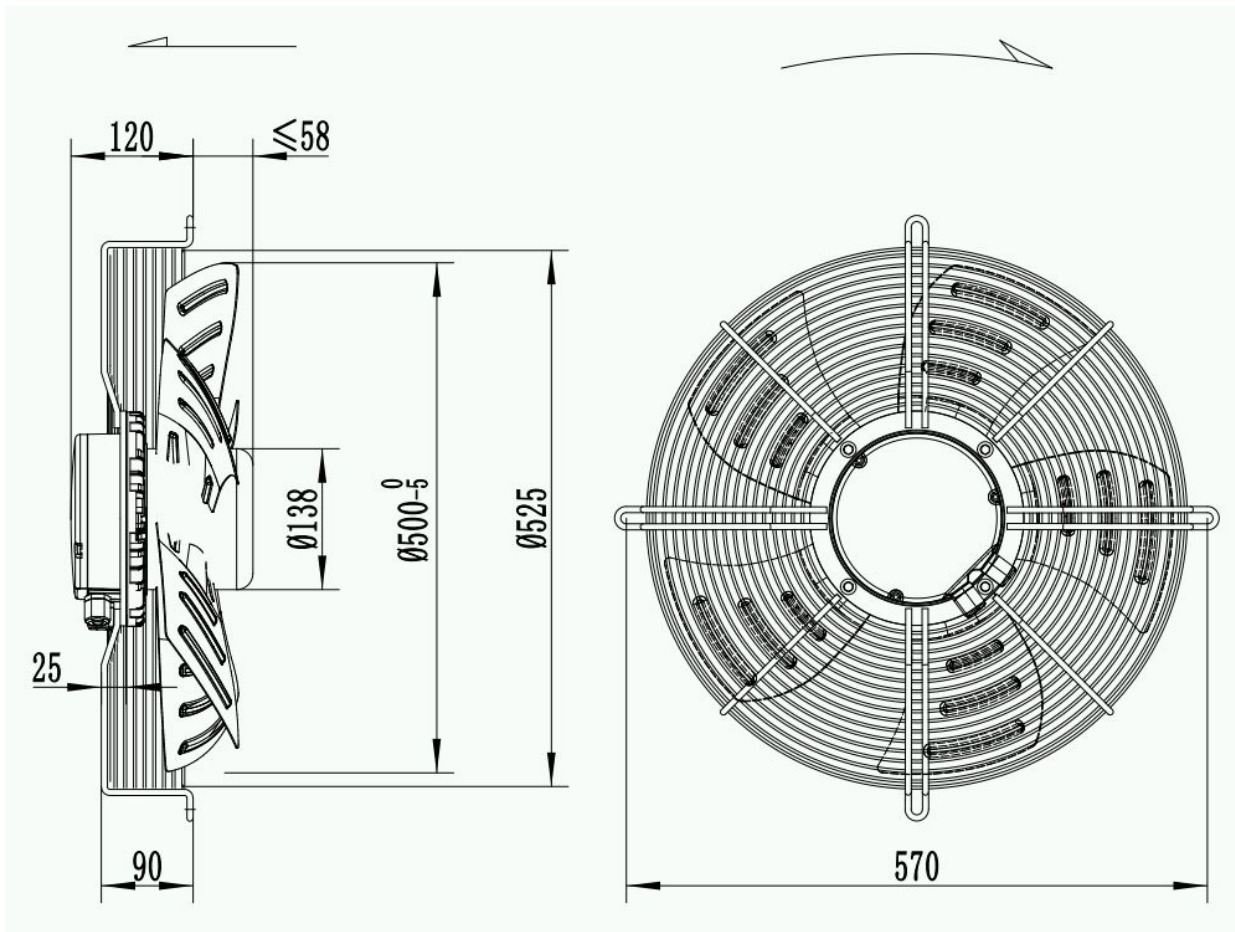
Testing Condition:

Input Voltage----230 VAC

Temperature----Room temperature

Humidity----65%RH

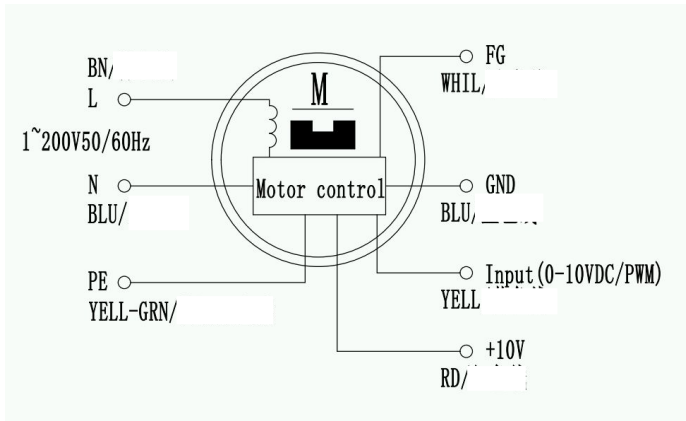
Outline Drawing



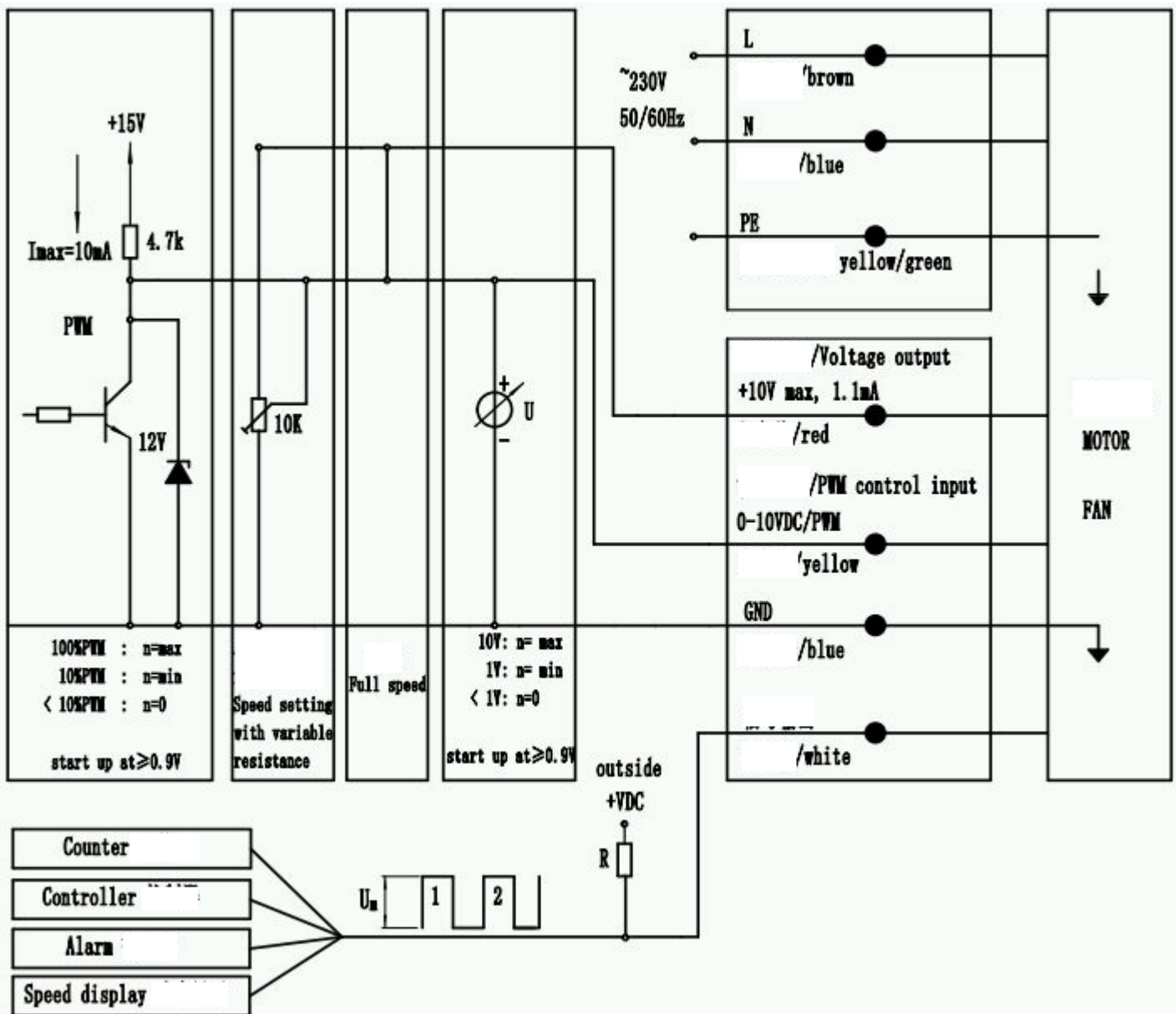
Note:

1. Lead wire: 3×AWG#18
 Brown: L
 Blue: N
 Yellow/Green: PE
2. Control wire: 4×AWG#20
 Red: +10VDC Output
 Yellow: 0~10VDC/PWM
 White: FG speed diagnostic output
 Blue: GND
3. Attachment: Potentiometer.

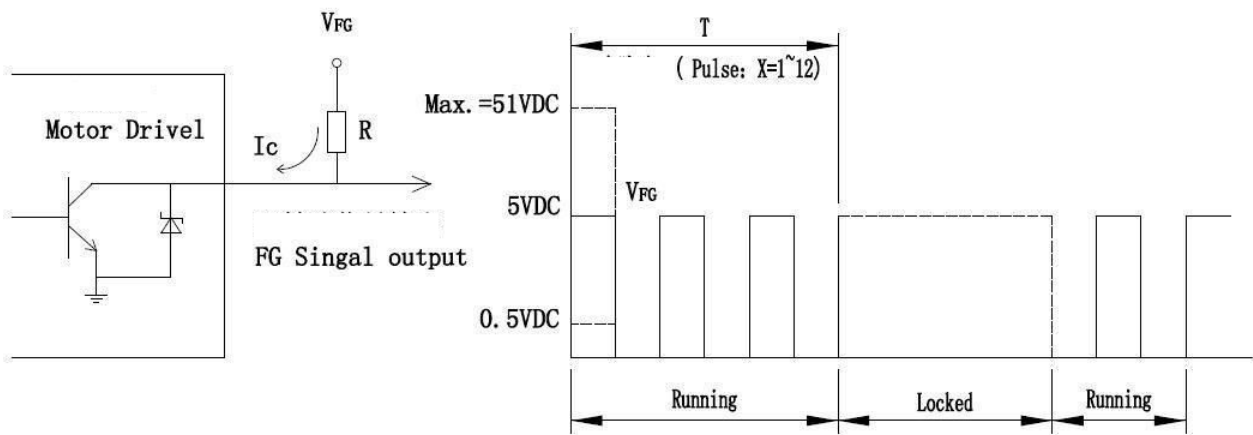
Motor connection diagram:



Interface Circuit:

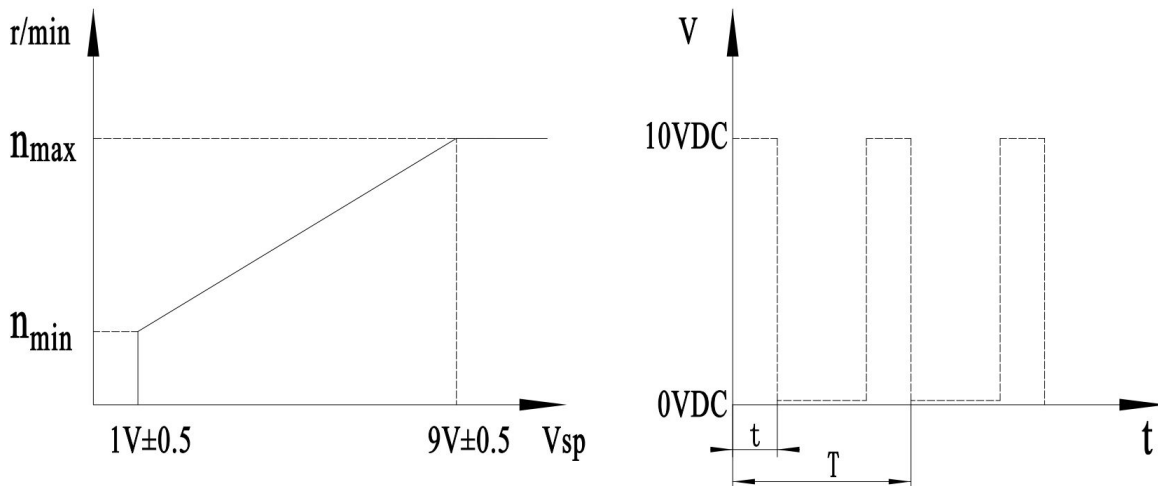


FG signal connection diagram:



1. Output type: Open Collect.
2. R Design requirement:
 $R \geq V_{FG}/I_c$, $I_c=10\text{mA (Max.)}$.
 Normal: $V_{FG}=5\text{VDC}$, $R=1\text{k}\Omega$.
3. The Max. pull-up voltage.
 $V_{FG} = 51\text{VDC (Max.)}$.
4. Pulse number: 1 PPR .
5. Frequency and Speed calculation:
 $n=\text{RPM}$
 $T=60/n$ (s)
 $F=(1/T)*X=(n/60)*X$ (Hz)
 $n=(60*F)/X$ (r/min)

Speed control signal diagram:



1. The speed control signal: 0~10VDC /PWM
2. At full speed ,speed wire can be directly connected with 48VDC or 24VDC or 12VDC or 10VDC