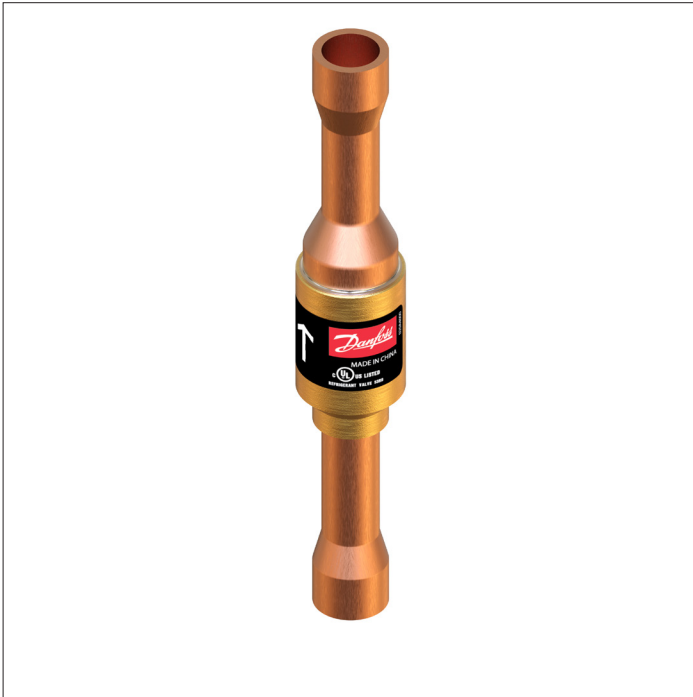


Data sheet

## Check valve for high pressure

### Type NRV 10s H for R744 (CO<sub>2</sub>)



NRV 10s H check valves for R744 (CO<sub>2</sub>) can work as an internal relief valve when installed in parallel with GBC Ball Valves or service shut off valves, at the inlet and outlet of components to be serviced. The NRV 10s H can also be used in hot gas defrosting lines.

#### Features

- The valve ensures that refrigerant only flow in one direction.
- Allows for internal pressure relief in the standstill system or during maintenance.
- The valve can withstand 90 bar / 1305 psig differential pressure and 90 bar / 1305 psig maximum working pressure.

Technical data

Refrigerants	R744 (CO <sub>2</sub> )
Oil	POE, PAG
Media temperature range	-50 – 140 °C / -58 – 285 °F
Max. working pressure (PS/MWP)	90 bar / 1305 psig

Approvals:



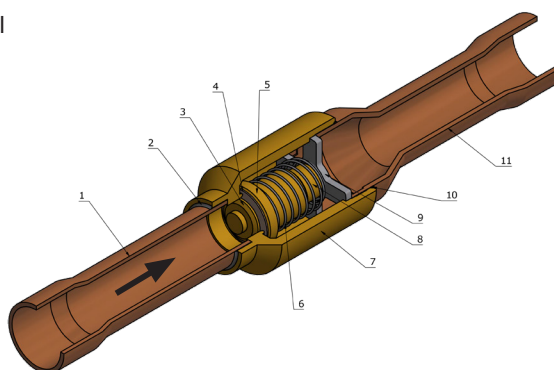
Notes:

For the application use with R744 as part of a secondary loop or cascade:

1. The design pressure of the refrigerant containing component is not less than the design pressure of the associated components.
2. The component is not provided with any pressure relief or pressure regulating relief valve and that a sufficient number of valves having capacity deemed adequate shall be field-installed on the refrigeration system.
3. When the refrigeration system is de-energized, venting of R744 may occur through the pressure regulating relief valves, and may need to be recharged, but the valve should not be defeated or bypassed.
4. A sufficient number of pressure relief and pressure regulating valves may need to be provided based upon system capacity and located such that no stop valve is provided between the relief valve and the parts or section of the system being protected.

Design

1. Copper tube
2. Solder ring
3. Washer
4. Sealing disk with special material
5. Piston
6. Spring
7. Valve body
8. Guide
9. Stop face
10. Solder ring
11. Copper tube



Ordering



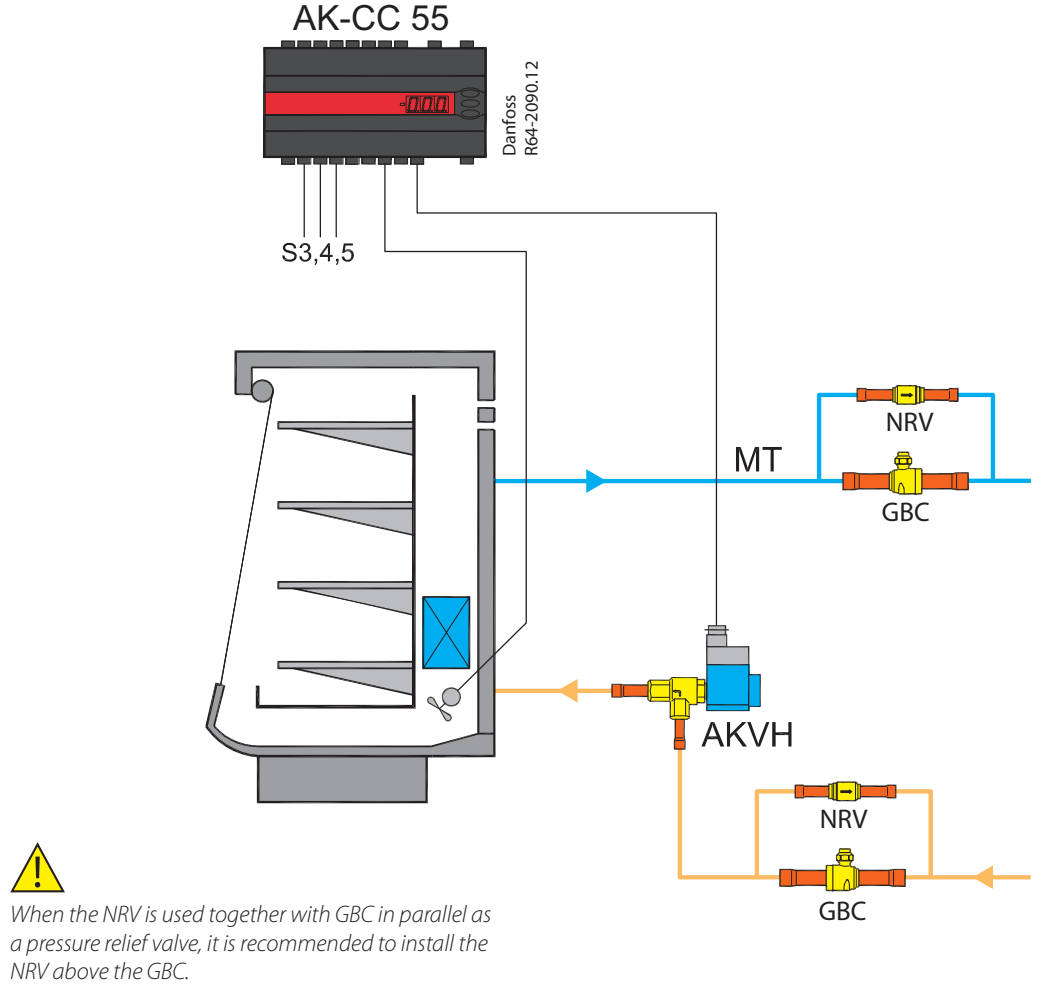
Type	Connection type	Connection size		Min. OPD ΔP <sub>1</sub>		K <sub>v</sub> value <sup>2)</sup>	C <sub>v</sub> value <sup>2)</sup>	Code no.
		[in.]	[mm]	[bar]	[psi]	[m <sup>3</sup> /h]	[gal/min]	
NRV 10s H	Straightway	3/8		0.4	5.8	0.9	1.04	020B4000
	Solder ODF		10	0.4	5.8	0.9	1.04	020B4300

<sup>1)</sup> ΔP<sub>1</sub> = Minimum Opening Pressure Differential

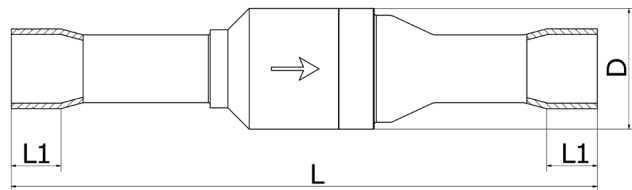
<sup>2)</sup> The K<sub>v</sub> value is the flow of water in m<sup>3</sup>/h at a pressure drop across valve of 1 bar, ρ = 1000 kg/m<sup>3</sup>.  
The C<sub>v</sub> value is the flow of water in gal/min at a pressure drop across valve of 14.5 psi.

**Application**

NRV 10s H for CO<sub>2</sub> can be installed at component inlet and outlet in parallel with GBC ball valve and function as relief valve to release the pressure in the stand-still system during maintenance.



**Dimensions and weight**



**ODF solder version - SI Units**

Type	Connection type	Connection size		L [mm]	L <sub>1</sub> [mm]	Φ D [mm]	Weight [kg]
		[in.]	[mm]				
NRV 10s H	Straightway Solder ODF	3/8		109	8	18	0.07
			10	109	9	18	0.07

**ODF solder version - US Units**

Type	Connection type	Connection size		L [in.]	L <sub>1</sub> [in.]	Φ D [in.]	Weight [lb]
		[in.]					
NRV 10s H	Straightway Solder ODF	3/8		4.29	0.31	0.71	0.15

Danfoss can accept no responsibility for possible errors in catalogues, brochures and other printed material. Danfoss reserves the right to alter its products without notice. This also applies to products already on order provided that such alterations can be made without consequential changes being necessary in specifications already agreed. All trademarks in this material are property of the respective companies. Danfoss and the Danfoss logotype are trademarks of Danfoss A/S. All rights reserved.