

# Air Cooled Condensers



- High efficiency external rotor fan motors.
- Single or twin fan models for flexible head pressure control.
- Factory applied "Patton Blue Coil Coat" corrosion protection.

## PAC Low Line



3.6

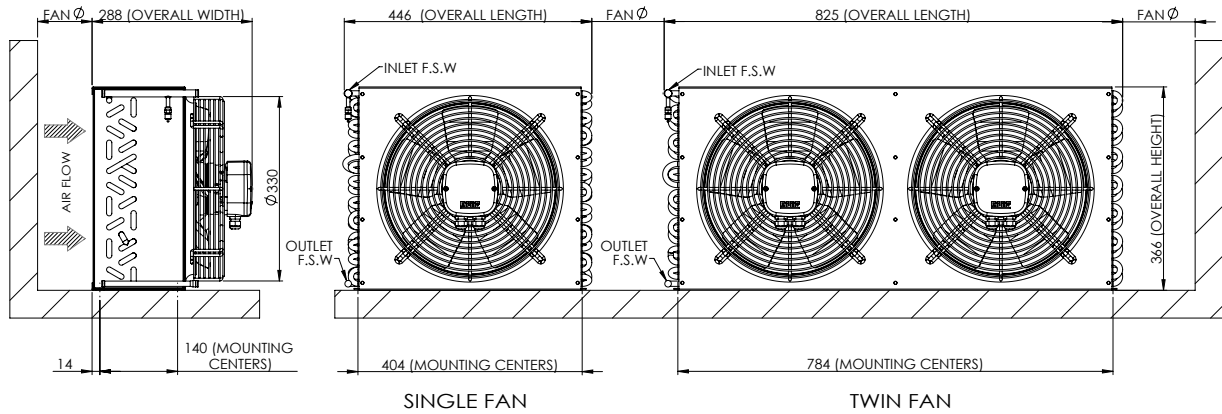
8.5

kW  
(15KTD)

### CAPACITY THR (Watts)

MODEL	R404A			R134a			SOUND LEVEL (dbA) (1)	
	1KTD	10KTD	15KTD	1KTD	10KTD	15KTD	3m	10m
PAC60	240	2400	3600	237	2370	3450	58	45
PAC75	280	2800	4200	276	2760	4140	60	49
PAC100	390	3900	5850	385	3850	5775	62	51
PAC125	510	5100	7650	500	5000	7500	64	53
PAC150	570	5700	8550	559	5590	8385	65	55

## DIMENSIONS



NTS (mm)

## TECHNICAL DATA

MODEL	FANS			MOTORS (2)			COIL			Wgt Dry (kg)	
	No. Off	DIA (mm)	Tot. Air Vol (l/sec)	Tot. Amps	Tot. Watts	F.P.I	Rows	Std. Connections (F. Sw)			Vol. (dm3)
								INLET	OUTLET		
PAC60	1	300	490	0.4	80	9	3	1 x 3/8"	1 x 3/8"	1.00	8
PAC75	1	300	450	0.4	80	9	4	1 x 3/8"	1 x 3/8"	1.34	9
PAC100	2	300	1100	0.8	160	9	2	1 x 3/8"	1 x 3/8"	1.35	13
PAC125	2	300	1030	0.8	160	9	3	1 x 1/2"	1 x 3/8"	2.00	15
PAC150	2	300	950	0.8	160	9	4	1 x 1/2"	1 x 3/8"	2.70	17

### NOTES:

- Sound level data "free field" in accordance with ISO3741 to be used as a guide only.  
Add 15dbA to "Sound Pressure" levels @ 3.0 m to obtain approx. "Sound Power" levels in db above 10-12 watts.
- All motors 220-240/1/50
- Refrigerant capacity correction factors:  
R404A R449A R410A R407F R407C  
1.0 0.96 1.02 0.95 0.95
- Altitude correction above sea level.  
(Mtrs) 500 1000 1500 2000 2500  
Factor 0.96 0.92 0.87 0.83 0.78