

PattonPak Semi-Hermetic Condensing Units



Condensing Units



- Reliable and efficient Copeland Semi-Hermetic Compressors.
- Supplied c/w : HP/LP, Crankcase Heater, Oil Separator, Liquid Receiver, Liquid Line Drier & Sightglass, Suction Accumulator, Fully wired c/w main isolator in ColourBond housing.
- Twin fan models include fan cycling pressure switch.
- All condenser coils supplied with "Patton Coat" fin and coil protective coating.

PSC SEMI-HERMETIC 150 - 400

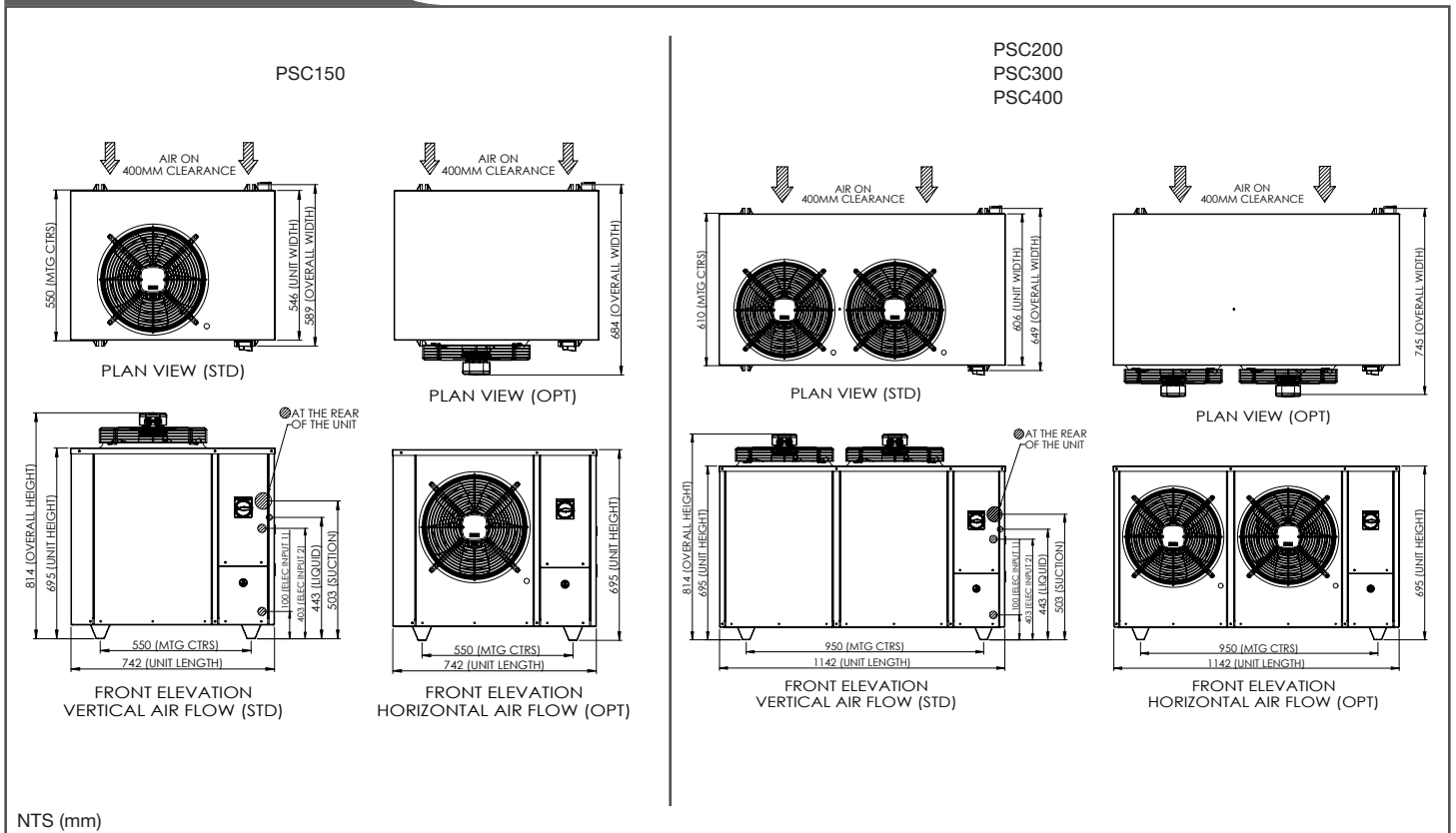
1.5 4 hp

COPELAND™

CAPACITY (Watts) @ 32°C Ambient

Model	Nom. hp	Refrigerant	Evaporating Temp °C									
			-35	-30	-25	-20	-15	-10	-5	0	5	10
PSC150	1.5	R449A	-	-	1730	2160	2690	3250	3900	4620	5380	-
		R404A	1160	1510	1880	2340	2820	3410	4000	4660	5340	-
PSC200	2.0	R134a	-	-	-	1810	2440	3130	3930	4780	5820	7010
		R449A	-	-	2480	3250	4140	5090	6170	7380	8690	-
		R404A	1480	2070	2750	3540	4340	5360	6370	7470	8870	-
PSC300	3.0	R134a	-	-	-	2520	3270	4160	5110	6290	7520	9050
		R449A	-	-	3480	4470	5520	6720	8220	9600	11180	-
		R404A	2210	2970	3850	4760	5900	7040	8310	9690	11180	-
PSC400	4.0	R134a	-	-	-	3560	4560	5810	7150	8820	10580	12350
		R449A	-	-	4780	6050	7520	9230	11190	13160	15720	-
		R404A	3130	4070	5280	6550	7990	9610	11210	13170	15660	-

DIMENSIONS



TECHNICAL DATA

MODEL	COMPRESSOR					CONDENSER					RECEIVER Capacity (kg) (2)	CONNECTIONS		Noise Level (dba) (3)	Wgt (kg)
	Nom. hp	Model	Voltage	RLA Amps	LRA Amps	Model	Airflow (l/sec)	Fan Motors				Suction	Liquid		
								No. (1)	Tot. Watts	Tot. Amps					
PSC150	1.5	KSJ-15X-EWL	380-420/3/50	3.3	20.4	CPK200	1007	1 x 350	145	0.7	3.7	3/4"	3/8"	58	92
PSC200	2.0	LE-20X-EWL	380-420/3/50	5.7	37.6	CPK350	1933	2 x 350	290	1.4	6.2	7/8"	1/2"	59	170
PSC300	3.0	LF-30X-EWL	380-420/3/50	7.2	53.0	CPK450	1859	2 x 350	290	1.4	6.2	7/8"	1/2"	61	173
PSC400	4.0	LL-40X-EWL	380-420/3/50	9.3	68.5	CPK500	1787	2 x 350	290	1.4	6.2	1-1/8"	1/2"	61	180

NOTES:

- 350mm Cond Fans - 220-240/1/50
- R404A pump down capacity @ 80% full for 32° C liquid temp.
- All noise level ratings are "free field" based at a distance of 3.0 mtrs from source and are given as a guide only.
- Electrically complies to AS/NZS 60335.2.89 : 2002 + A1-A3 (Selected clauses)

The company reserves the right to make specification changes without notice. NZ 01/12/2017

Condensing Units



- Reliable and efficient Copeland Semi-Hermetic Compressors.
- Supplied c/w : HP/LP, Crankcase Heater, Oil Separator, Liquid Receiver, Liquid Line Drier & Sightglass, Suction Accumulator, Fully wired c/w main isolator in ColourBond housing.
- Twin fan models include fan cycling pressure switch.
- All condenser coils supplied with "Patton Coat" fin and coil protective coating.

PSC SEMI-HERMETIC 500 - 1500

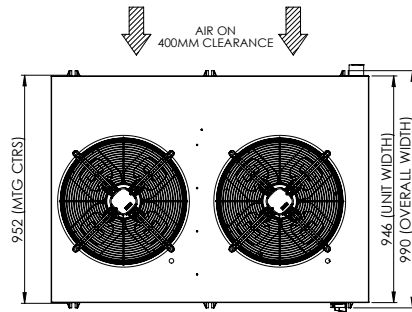
5 15 hp

COPELAND™

CAPACITY (Watts) @ 32°C Ambient

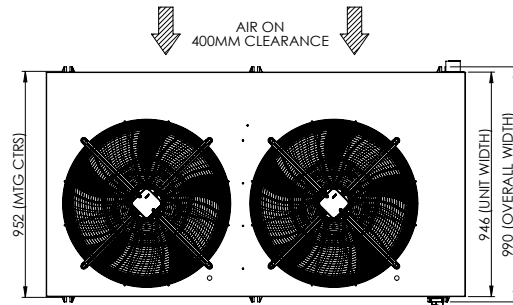
Model	Nom. hp	Refrigerant	Evaporating Temp °C									
			-35	-30	-25	-20	-15	-10	-5	0	5	10
PSC500	5.0	R449A	-	-	5080	6510	8290	10210	12550	15250	18030	-
		R404A	3410	4570	5930	7490	9300	11370	13720	16080	18990	-
PSC700	7.0	R449A	-	-	6260	7970	10140	12730	15500	19000	22680	-
		R404A	4340	5720	7370	9320	11590	13920	16830	19790	23420	-
PSC750	7.5	R134a	-	-	-	5890	7700	9820	12300	15150	18450	21930
		R449A	-	-	8140	10030	12560	15510	18650	22170	26110	-
		R404A	5620	7240	9120	11320	13620	16520	19410	23090	26720	-
PSC800	8.0	R134a	-	-	-	6830	8830	11170	13890	17100	20730	24580
		R449A	-	-	9510	11940	14750	18230	22240	26460	31150	-
		R404A	6170	8170	10460	13130	16150	19620	23150	27480	31780	-
PSC1000	10.0	R134a	-	-	-	8300	10820	13620	16910	20670	25030	29580
		R449A	-	-	11460	14400	17690	21730	26320	31030	36230	-
		R404A	7710	10120	12860	16000	19560	23560	27560	32520	37390	-
PSC1500	15.0	R134a	-	-	-	10820	13870	17460	21600	26460	31620	37780
		R449A	-	-	15300	18670	23070	28150	33390	39350	45800	-
		R404A	10350	13460	17010	21030	25190	30250	35330	41550	47780	-

DIMENSIONS



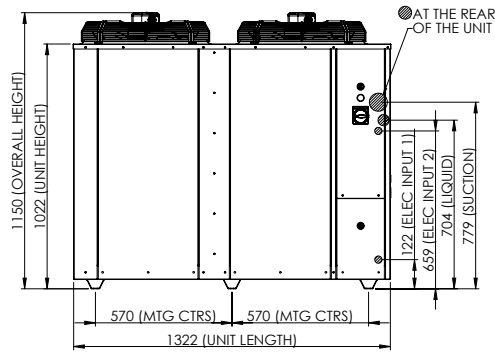
PLAN VIEW
VERTICAL AIR FLOW

PSC500
PSC700
PSC750

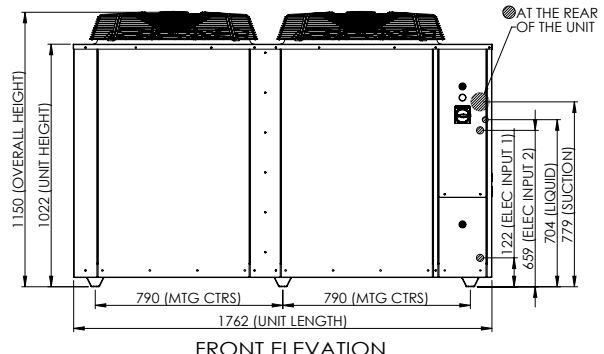


PLAN VIEW

PSC800
PSC1000
PSC1500



FRONT ELEVATION



FRONT ELEVATION

NTS (mm)

TECHNICAL DATA

MODEL	COMPRESSOR					CONDENSER					RECEIVER Capacity (kg) (2)	CONNECTIONS		Noise Level (dba) (3)	Wgt (kg)
	Nom. hp	Model	Voltage	RLA Amps	LRA Amps	Model	Airflow (l/sec)	Fan Motors				Suction	Liquid		
								No. (1)	Tot. Watts	Tot. Amps					
PSC500	5.0	2DD-50X	380-420/3/50	10.3	55.0	CPK650	4320	2 x 500	1090	4.8	8.8	1-1/8"	5/8"	62	205
PSC700	7.0	2DL-75X	380-420/3/50	13.8	70.0	CPK800	3927	2 x 500	1090	4.8	10.4	1-3/8"	5/8"	63	270
PSC750	7.5	2DB-75X	380-420/3/50	16.1	70.0	CPK900	3750	2 x 500	1090	4.8	10.4	1-3/8"	5/8"	63	290
PSC800	8.0	3DA-75X	380-420/3/50	17.5	106.0	CPK1200	7380	2 x 630	2500	5.0	10.4	1-3/8"	5/8"	64	290
PSC1000	10.0	3DC-100X	380-420/3/50	21.5	121.0	CPK1300	7050	2 x 630	2500	5.0	10.4	1-3/8"	5/8"	65	350
PSC1500	15.0	3DS-150X	380-420/3/50	29.0	129.0	CPK1500	6730	2 x 630	2500	5.0	20.0	1-5/8"	7/8"	66	365

NOTES:

- 500mm Cond Fans - 220-240/1/50
630mm Cond Fans - 380-420/3/50
- R404A pump down capacity @ 80% full for 32° C liquid temp.
- All noise level ratings are "free field" based at a distance of 3.0 mtrs from source and are given as a guide only.
- Electrically complies to AS/NZS 60335.2.89 : 2002 + A1-A3 (Selected clauses)

The company reserves the right to make specification changes without notice. NZ 06/12/2017

PATTON



The company reserves the right to make specification changes without notice. 22/02/2022