

## Data Sheet

# Liquid level controller Type **EKE 347**

An intuitive and easy to navigate controller with  
Modbus network capability



The EKE 347 controller is used for regulation of the liquid level in:

- Pump reservoirs
- Separators
- Intermediate coolers
- Economisers
- Condensers
- Receivers

The controller is communicating with a transmitter that continuously measures the liquid level in the actual reservoir.

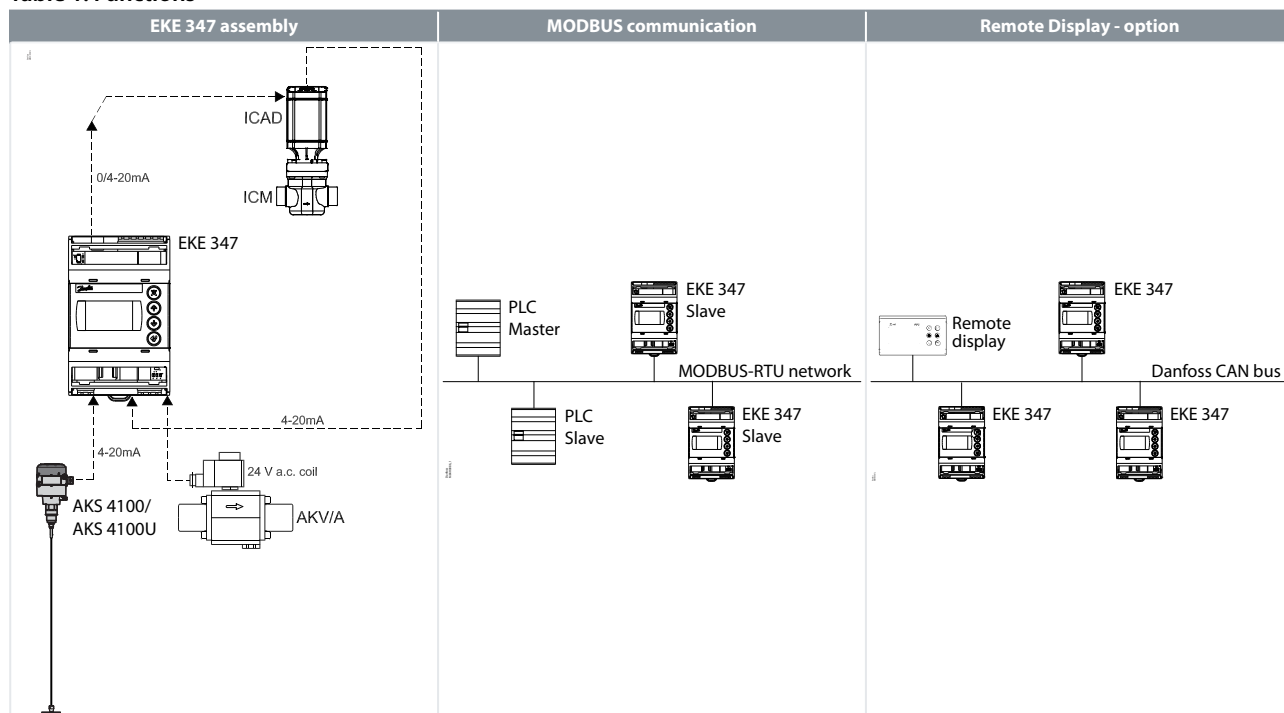
By comparing the measured value with the level setpoint entered by the customer, the controller dictates the valve to increase or decrease the liquid flow to or from the reservoir.

## Features

- Liquid level control
- Alarm if the set alarm limits are exceeded
- Relay outputs for upper and lower level limits and for alarm level
- User friendly and easy setup Wizard for first time configuration
- PI control
- Low or High side control
- When AKV/A is selected, a MASTER/SLAVE system can run up to 3 AKV/A with distributed Opening Degree
- Manual control of output
- Limitation of Opening degree possible
- ON/OFF operation with hysteresis
- Programming menu with 3 access levels and separate passwords
- Connection to other EKE 347 controllers possible
- Wired remote display possible
- BUS communication:
  - CAN Bus (Danfoss internal only)
  - MODBUS RTU RS485 for communication with e.g. PLC

## Functions

**Table 1: Functions**



**Table 2: Functions**

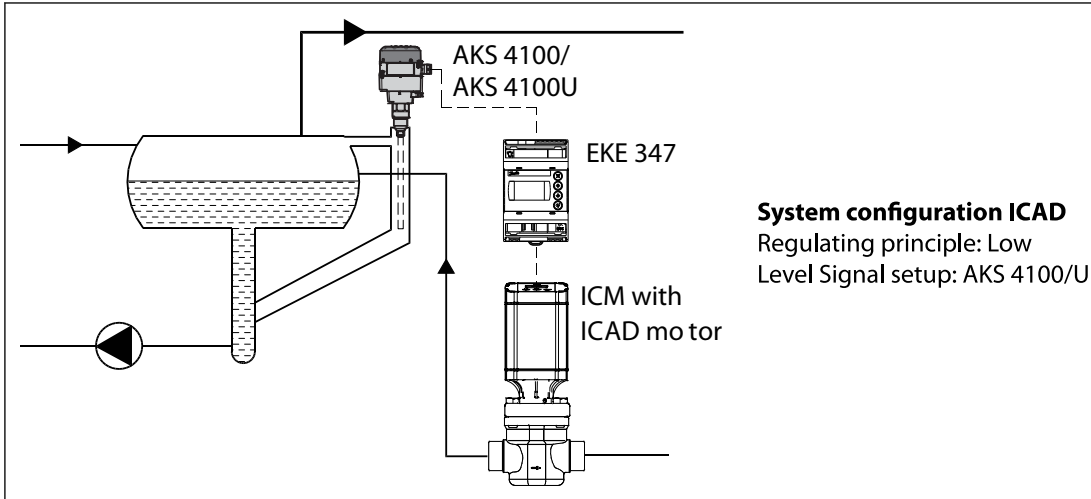
|                                |   |
|--------------------------------|---|
| <b>Signaltransmitter</b>       | With the guided micro wave rod AKS 4100/4100U it is possible to set the refrigerant level within a wide range.  |
| <b>EKE 347</b>                 | The controller receive a signal which enable it to control low or high side applications (see page 3).<br>EKE 347 does support 2 types of Danfoss expansion valves. (see below) One analog input is available as feed back from ICM in order to indicate opening degree of the ICM.             |
| <b>Expansion valves</b>        | Two types of Danfoss expansion valves can be used<br><b>ICM</b><br>ICM are direct operated motorized valves driven by digital stepper motor type ICAD<br><b>AKV/A</b><br>AKVA or AKV are pulse-width modulating expansion valves.   |
| <b>MODBUS communication</b>    | EKE 347 include as standard RS 485 based MODBUS-RTU bus communication interface to third party equipment like PLC.<br>Via the MODBUS it is possible to read and write parameters to the EKE 347<br>Operation, monitoring and data collection can then be performed via PLC from a SCADA system. |
| <b>Remote Display - option</b> | A remote display for panel mounting is available. From the remote display a full overview and access is possible to all individual EKE 347 controllers connected to the internal Danfoss CAN bus.   |

**Applications**

**Pump reservoir**

Modulating control of injection for a more stable liquid level and suction pressure.

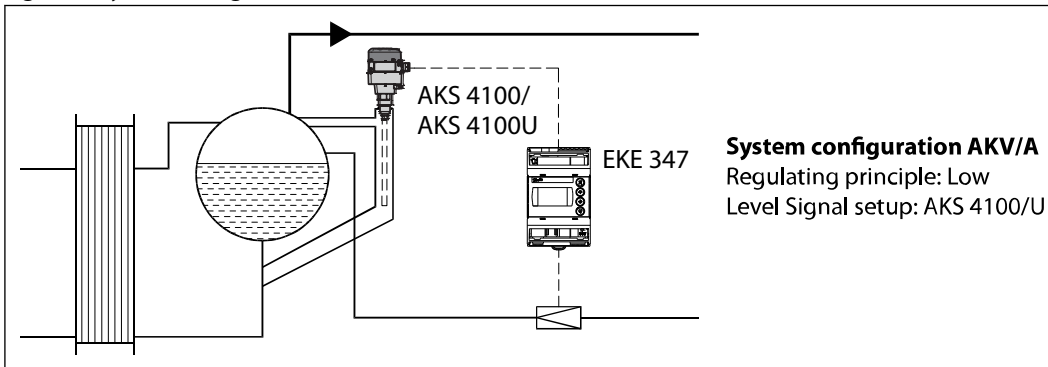
Figure 1: System configuration ICAD



**Separator on flooded evaporator**

Modulating control and the valve's large capacity range ensure a stable level - even under conditions of quickly changing loads.

Figure 2: System configuration AKV/A

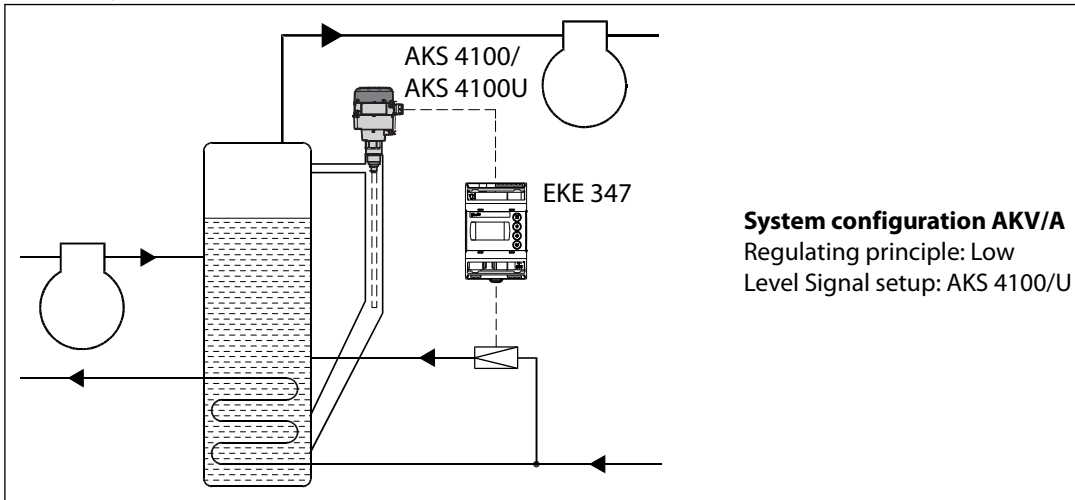


**Intermediate cooler**

The level transmitter's wide measuring range enables it to monitor the liquid at all levels of the reservoir - and hence to use the signal for safety functions in connection with the max. permissible level.



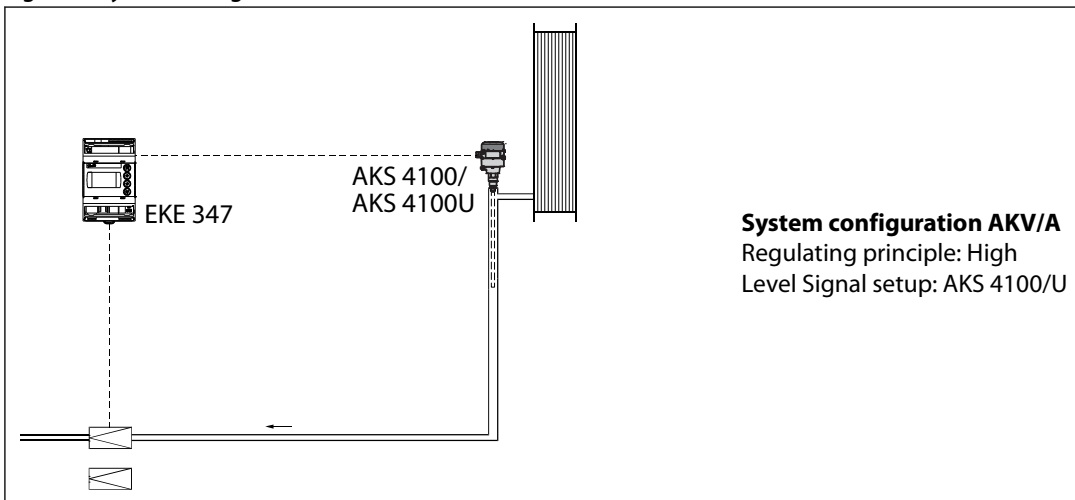
Figure 3: System configuration AKV/A



**Receiver / condenser**

The control system's short reaction time makes it very suited for high-pressure float systems with small refrigerant charges.

Figure 4: System configuration AKV/A



## Product specification

### Electrical connection

Table 3: Electrical connection

|                              |   |   |
|------------------------------|---|---|
| <b>Supply voltage</b>        | 24 V AC $\pm 20\%$ 50 / 60 Hz or 24 V DC $\pm 20\%$ (the supply voltage is galvanically separated from the input and output signals. Input/output are not individual galvanic isolated) |   |
| <b>Power consumption</b>     | Controller<br>20 W coil for AKV or AKVA   | 15 VA / 10W<br>55 VA  |
| <b>Input signal</b>          | Level signal *  | 4 – 20 mA or 0 – 10 V   |
| <b>* Ri =</b>                | ICM valve feedback signal *   | From ICAD 0/4 – 20 mA   |
| <b>0(4) – 20mA: 33 ohm</b>   |   |   |
| <b>0(2) – 10 V: 100 kohm</b> | Contact function start / stop of regulation   |   |
| <b>Relay output</b>          | 3 pcs. SPDT (Lower level alarm, Upper level alarm, Common alarm / NC Solenoid)  | <b>Normally Open:</b><br>3 A GP*, 2.2 FLA / 13.2 LRA, 1/6 hp, PD 220 VA, 250 V AC 100 k<br>3 FLA / 18 LRA, 1/10 hp, PD 150 VA, 125 V AC 100 k<br><br><b>Normally Closed:</b><br>3 A GP*, 250 V AC 100 k<br>(*GP = General purpose)<br>Max 240 V AC or 24 V AC / DC can be used, but same voltage type must be used on DO3 and DO2 |
| <b>Current output</b>        | 0 – 20 mA or 4 – 20 mA<br>Max. load: 500 ohm  |   |

### Material specification

Table 4: Material specification

|                                  |  |  |
|----------------------------------|--|--|
| <b>Valve connection</b>          | ICM - via current output<br>AKV/A- via 24 AC Pulse-Width Modulating output   |  |
| <b>Data communication</b>        | MODBUS RTU: Communication to system controller,<br>MODBUS on RS485: galvanic isolation (500 V DC)<br>CAN: Communication to other EKE controllers |  |
| <b>Supported Modbus Commands</b> | Supported commands with max of 50 ms response time   | 03 (0x03) Read Holding Registers<br>04 (0x04) Read Input Registers<br>06 (0x06) Write Single Register<br>08 (0x08) Diagnostics |
|                                  | Supported commands without defined max response time   | 16 (0x10) Write Multiple Registers (up to 20 registers)<br>43 (0x2b) Read Device Identification                                |
| <b>Environments</b>              | -20 °C – 55 °C, during operation<br>-30 °C – 80 °C, during storage<br>90% Rh, not condensed<br>No shock influence / vibrations                   |  |
| <b>Enclosure</b>                 | IP20 / IP40 for the front mounted into a panel   |  |
| <b>Weight</b>                    | 193 g  |  |
| <b>Mounting</b>                  | DIN rail   |  |
| <b>Display</b>                   | Graphical LCD display  |  |
| <b>Terminals</b>                 | plugs 1.5 or 2.5 mm <sup>2</sup> multicore   |  |

### Connection

Table 5: Necessary connections

| Terminals |  |
|-----------|--|
| 28-29     | Supply voltage 24 V a.c. or d.c.   |
| 1-7       | Signal from level transmitter type AKS 4100/4100U  |
| 7-10      | Signal from level transmitter type AKS 41  |
| 36-37     | Expansion valve type AKV or AKVA   |
| 23-24     | Expansion valve type: ICM with ICAD  |
| 13-14     | Switch function for start/stop of controller. If a switch is not connected, terminals 13 and 14 must be shortcircuited |

#### **NOTE:**

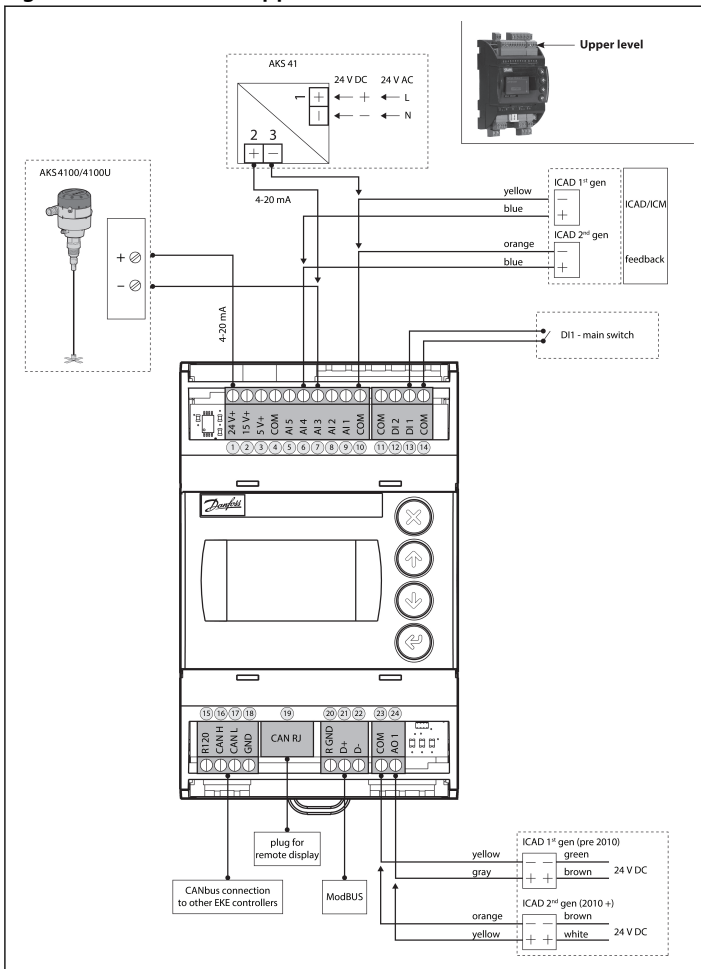
See the figures on the next pages.

# Liquid level controller, Type EKE 347

**Table 6: Application dependent connections**

| Terminals |   |
|-----------|---|
| 33-35     | Relay for common alarm. Installer can choose between Normally Open (33-34) or Normally Closed (34-35) circuits. The relay will switch according to the programmed setting |
| 25-27     | Relay for low level limit. Installer can choose between Normally Open (26-27) or Normally Closed (25-26) circuits. The relay will switch when the set value is passed.    |
| 30-32     | Relay for upper level limit. Installer can choose between Normally Open (30-31) or Normally Closed (31-32) circuits. The relay will switch when the set value is passed.  |
| 6-10      | ICM valve feedback signal from ICAD 0/4 – 20 mA   |

**Figure 5: Connections - Upper level**



# Liquid level controller, Type EKE 347

Figure 6: Connections - Lower level

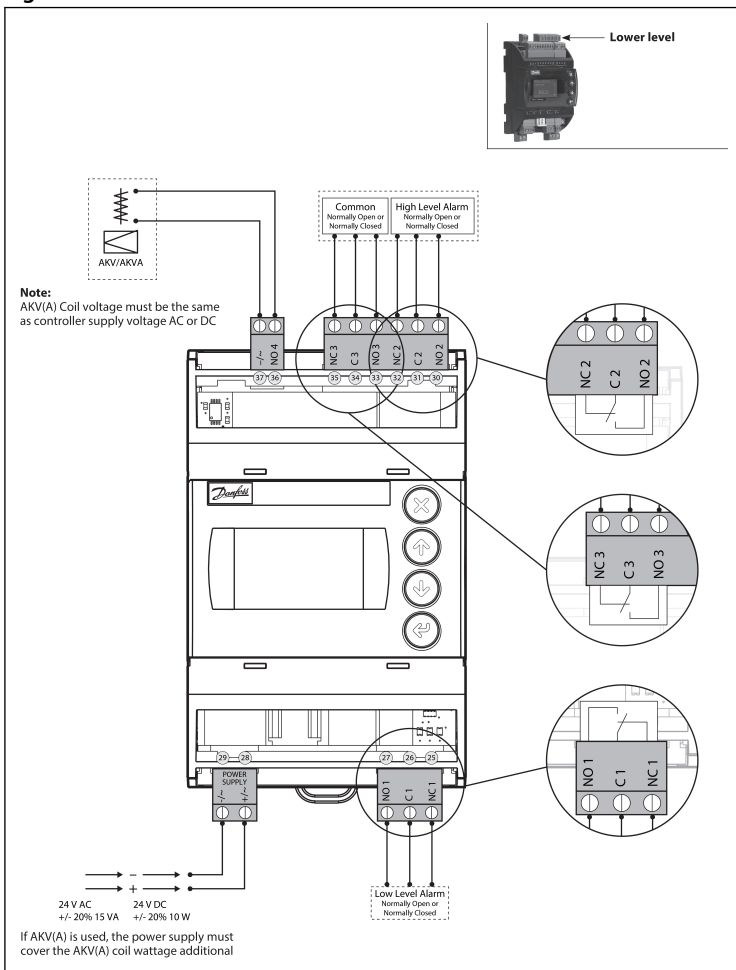


Figure 7: EKE 347 - ON/OFF Application. Open/Close solenoid valve with coil 24 V - 230V

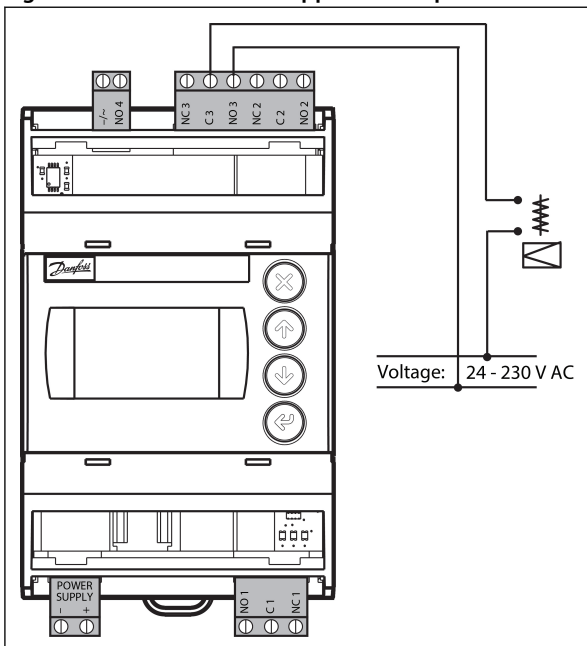
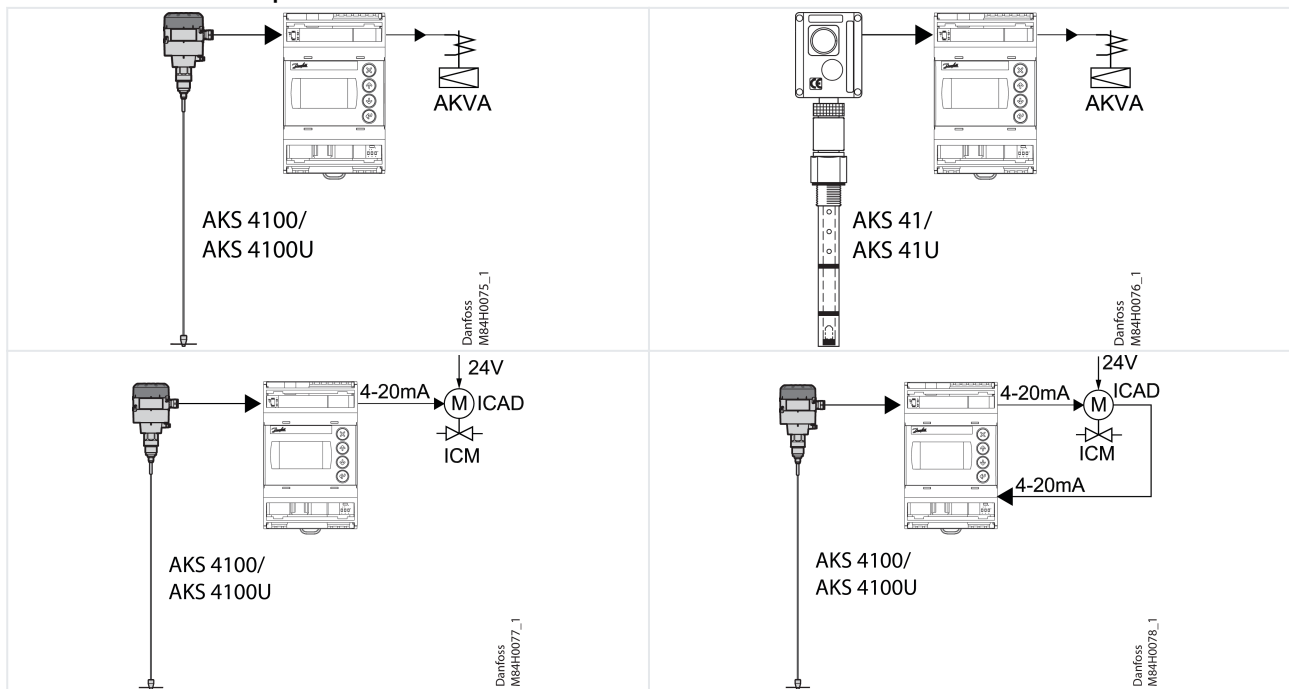


Table 7: Connection examples



## Control Panel

Figure 8: Control Panel

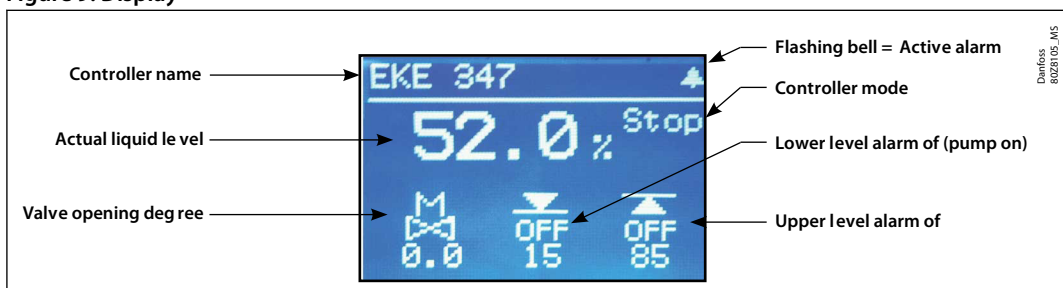


The user interface of the control panel consists of a multilines display and 4 individual push buttons: Enter button, Scroll up button, Scroll down button and Back button.

The figure shows the Home display image, which give the actual overview. This is the starting point for entering into menus, and you will revert to this image by pushing 1 – 3 times (depending on actual position).

## Display

Figure 9: Display



The display itself show the state of **Liquid level**, **Controller Mode** (controller On/Off), **Valve opening degree**, **Lower level alarm** (off = no alarm present) and **Upper level alarm** (off = no alarm present).

Additional to the external connected alarm audio/video sources, a Bell symbol will flash in the upper right corner in case of an alarm.

To see more details on system performance and setting of parameters, 2 different main menu levels can be reached by operation of the push buttons.

From Home image the **Status menu** can be reached by **1 push** on Enter. From Home image the **Setup & service menu** can be reached by **1 push and hold** on Enter. For entrance a Log In is required by the password given during Commissioning.

## Menus

### Status menu

To enter Status menu from Home image: Push once.

Figure 10: Status menu



The Status menu is an open menu accessible for all. Therefore only 1 parameter can be changed from here. A selection of other parameters can be seen from the status menu.

Table 8: Status menu ( Open menu )

|   | Options                           |
|---|-----------------------------------|
| <b>Setpoint</b>   |                                   |
| Liquid level setpoint   | 0 – 100% *)                       |
| <b>Active alarms</b>  |                                   |
| Example of alarm content. The list will be empty in normal operation as no alarm is active. |                                   |
| Level signal out of range   | hours minutes **)                 |
| Standby mode  | hours minutes **)                 |
| <b>Detailed status</b>  |                                   |
| Controller state  | Stop, Manual, Auto, Slave, IO **) |
| Actual level  | 0.0 – 100% **)                    |
| Actual reference  | 0.0 – 100% **)                    |
| Actual OD   | 0.0 – 100% **)                    |
| Digital input status  | On / Off **)                      |
| Actual level signal current   | mA **)                            |
| Oscillation amplitude   | 0.0 – 100% **)                    |
| Oscillation period  | sec **)                           |
| <b>Controller Info</b>  |                                   |
| Type  | **)                               |
| Name (Controller name)  | **)                               |
| SW (Software version)   | **)                               |
| Bios (Bios version)   | **)                               |
| Adr (Controller address)  | **)                               |
| SN (Serial Number)  | **)                               |
| PV (Product version)  | **)                               |
| Site (Production site)  | **)                               |
| <b>QR code</b>  |                                   |
| Code  | **)                               |

**NOTE:**

\*) Read & write

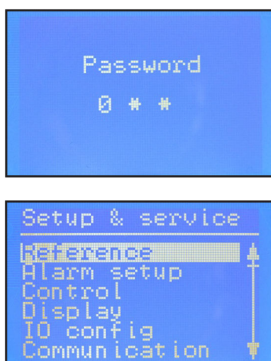
\*\*) Write only

### Setup & service menu (Requires log-in password assigned in Commissioning menu)

To enter Setup and service menu from Home image: Push and hold

Maneuvering in the Status menu and the Setup and service menu's are done by use of the 4 push buttons shown on page 4.

Figure 11: Setup & service menu



The Setup & service menu is divided into 3 access levels, where personnel have individual authority.

Most advanced level is **Commissioning**, where you have access to change all allowable parameters, including password issuing and re-run of Setup wizard.

**Service** level is for service personnel and has fewer rights than commissioning.

The lowest level is for **Daily** use, and allows only a few changes.

The table on the next page shows authority given to the Commissioning level.

Table 9: Setup & service menu - COMMISSIONING

| Parameter           | Options                     | Default values                                | Read & Write | Read only |
|---------------------|-----------------------------|---|--------------|-----------|
| <b>Reference</b>    | Main switch                 | On, Off                                       | Off          | -         |
|                     | Liquid level setpoint       | 0 – 100%                                      | 50.00%       | -         |
|                     | Operation mode              | Master, IO, Slave                             | Master       | -         |
| <b>Alarm setup</b>  | Lower level limit           | 0 – 100%                                      | 15%          | -         |
|                     | Upper level limit           | 0 – 100%                                      | 85%          | -         |
|                     | Level alarm mode            | Time, Hysteresis                              | Time         | -         |
|                     | Lower delay                 | 0 – 999 sec                                   | 10 sec       | -         |
|                     | Upper delay                 | 0 – 999 sec                                   | 50 sec       | -         |
|                     | Lower level hysteresis      | 0 – 20%                                       | 3%           | -         |
|                     | Upper level hysteresis      | 0 – 20%                                       | 5%           | -         |
|                     | Function common alarm       | Not follow; Follow up; Follow low; Follow all | Not follow   | -         |
|                     | Oscillation detect band     | 0 – 100%                                      | 100%         | -         |
|                     | Oscillation detect timeout  | 2 – 30 min                                    | 20 min       | -         |
|                     | Force pump OFF in stop mode | Yes / No                                      | No           | Yes       |
|                     | IO Lower level limit        | 0 – 100%                                      | 5%           | -         |
|                     | IO Upper level limit        | 0 – 100%                                      | 95%          | -         |
|                     | IO Lower level hysteresis   | 0 – 20%                                       | 3%           | -         |
|                     | IO Upper level hysteresis   | 0 – 20%                                       | 3%           | -         |
|                     | IO Lower delay              | 0 – 999 sec                                   | 10 sec       | -         |
| IO Upper delay      | 0 – 999 sec                 | 50 sec  | -            |           |
| IO Level limit      | 0 – 100%                    | 50%   | -            |           |
| IO Level delay      | 0 – 999 sec                 | 10 sec  | -            |           |
| IO Level hysteresis | 0 – 20%                     | 3%  | -            |           |
| IO Level action     | Falling,Rising              | Falling                                       | -            |           |

## Liquid level controller, Type EKE 347

| Parameter        | Options                          | Default values   | Read & Write | Read only |   |
|------------------|----------------------------------|--|--------------|-----------|---|
| <b>Control</b>   | Control Method                   | On/Off ,P, PI  | PI           | Yes       | – |
|                  | Regulating principle             | Low, High  | Low          |           | – |
|                  | P-band                           | 5 – 200%   | 30.00%       |           | – |
|                  | Integration time Tn              | 60 – 600 sec   | 400 sec      |           | – |
|                  | Neutral zone                     | 0 – 25%  | 2.00%        |           | – |
|                  | Difference                       | 0,5 – 25%  | 2%           |           | – |
|                  | Period time for AKV/AKVA         | 3–15 sec   | 6 sec        |           | – |
|                  | Minimum OD                       | 0 – 99%  | 0%           |           | – |
|                  | Maximum OD                       | 1 – 100%   | 100%         |           | – |
| <b>Display</b>   | Language                         | EN,CN,PT,RU,SP,FR,IT, GER, ARAB                        | EN           | Yes       | – |
|                  | Output indication                | level, OD  | Level        |           | – |
|                  | Login timeout                    | 1 – 120 min  | 10 min       |           | – |
|                  | Backlight timeout                | 0 – 120 min  | 2 min        |           | – |
|                  | Password daily                   | 3 - digit, 0 – 999                                     | 100          |           | – |
|                  | Password service                 | 3 - digit, 0 – 999                                     | 200          |           | – |
|                  | Password commission              | 3 - digit, 0 – 999                                     | 300          |           | – |
| <b>IO config</b> | System configuration             | ICAD+NC, ICAD, AKV/A+NC, AKV/A, NC only                | ICAD + NC    | Yes       | – |
|                  | Level signal setup               | AKS 4100, AKS 41, Current, Voltage                     | AKS4100      |           | – |
|                  | Voltage at low liquid level      | 0 – 10V  | 0 V          |           | – |
|                  | Voltage at high liquid level     | 0 – 10V  | 10 V         |           | – |
|                  | Current at low liquid level      | 0 – 20 mA  | 4 mA         |           | – |
|                  | Current at high liquid level     | 0 – 20 mA  | 20 mA        |           | – |
|                  | Valve position setup             | Not used, Current, Voltage                             | Not used     |           | – |
|                  | Voltage at closed valve position | 0 – 10V  | 0 V          |           | – |
|                  | Voltage at open valve position   | 0 – 10V  | 10 V         |           | – |
|                  | Current at closed valve position | 0 – 20 mA  | 4 mA         |           | – |
|                  | Current at open valve position   | 0 – 20 mA  | 20 mA        |           | – |
|                  | Common alarm setup               | D04, High alarm, D03, Disp only                        | High alarm   |           | – |
|                  | Multiple valve setup             | Not used, 2 same cap, 2 dif cap, 3 same cap, 3 dif cap | Not used     |           | – |
|                  | Multiple valve pattern           | Parallel,Sequence                                      | Parallel     |           | – |
|                  | Valve A capacity                 | 0 – 100%   | 50%          |           | – |
|                  | Valve B capacity                 | 0 – 100%   | 50%          |           | – |
| Valve C capacity | 0 – 100%                         | 30%  | –            |           |   |
| ICAD takeover OD | 0 – 100%                         | 80%  | –            |           |   |
| IO module setup  | Used, Not used                   | Not used   | –            |           |   |



## Liquid level controller, Type EKE 347

| Parameter              | Options                        | Default values  | Read & Write | Read only |     |   |
|------------------------|--------------------------------|---|--------------|-----------|-----|---|
| <b>Communication</b>   | CAN ID                         | 1 – 127   | 1            | Yes       | –   |   |
|                        | CAN baudrate                   | 20k, 50k, 125k, 250k, 500k, 1M                        | 500k         |           | –   |   |
|                        | Modbus ID                      | 0 – 120   | 1            |           | –   |   |
|                        | Modbus baudrate                | 0, 1200, 2400, 4800, 9600, 14400, 19200, 28800, 38400 | 19200        |           | –   |   |
|                        | Modbus mode                    | 8N1, 8E1, 8N2   | 8E1          |           | –   |   |
|                        | Modbus mapping                 | Operation, Setup                                      | Operation    |           | –   |   |
|                        | Valve B CAN ID                 | 1 – 127   | 2            |           | –   |   |
|                        | Valve C CAN ID                 | 1 – 127   | 3            |           | –   |   |
|                        | IO Mod. CAN ID                 | 1 – 127   | 4            | –         |     |   |
| <b>Service</b>         | Controller state               |   | –            | Yes       | –   |   |
|                        | Actual level                   |   | –            |           | –   |   |
|                        | Actual reference               |   | –            |           | –   |   |
|                        | Actual OD                      |   | –            |           | –   |   |
|                        | Actual valve position          |   | –            |           | –   |   |
|                        | Digital input status           |   | –            |           | –   |   |
|                        | Actual level signal voltage    |   | –            |           | –   |   |
|                        | Actual level signal current    |   | –            |           | –   |   |
|                        | Actual position signal voltage |   | –            |           | –   |   |
|                        | Actual position signal current |   | –            |           | –   |   |
|                        | Actual OD A                    |   | –            |           | –   |   |
|                        | Actual OD B                    |   | –            |           | –   |   |
|                        | Actual OD C                    |   | –            |           | –   |   |
|                        | Manual Mode                    | On, Off   | Off          |           | Yes | – |
|                        | Manual OD                      | 0 – 100%  | 50.00%       |           |     | – |
|                        | Manual low alarm               | Off-On  | Off          |           |     | – |
|                        | Manual high alarm              | Off-On  | Off          |           |     | – |
| Manual common alarm    | Off-On                         | On  | –            |           |     |   |
| Apply defaults         | None, Factory                  | None  | –            |           |     |   |
| Setup wizard           | Re-run Setup wizard            | –   | Yes          | –         |     |   |
| <b>I/O check</b>       | Main switch EKE act:           |   | Off          | Yes       | –   |   |
|                        | AKS 4100 EKE act:              |   | –            |           | –   |   |
|                        | ICAD EKE act:                  |   | –            |           | –   |   |
|                        | Nor. Close (NC) EKE act:       |   | –            |           | –   |   |
|                        | Upper lvl (alarm) EKE act:     |   | –            |           | –   |   |
|                        | Lower lvl (alarm) EKE act:     |   | –            |           | –   |   |
| <b>Controller name</b> | Controller name                | Type in controller name                               | –            | Yes       | –   |   |

### Alarm and error codes:

When detecting an alarm from external sources or the flashing bell in the display, the alarm description can be found as a text message in the Status menu under Active alarms.

Both alarms and errors will be shown here. If more alarms/errors occur simultaneously, they will be shown as subsequent text lines.

**Table 10: Alarms:**

|                               |
|-------------------------------|
| Upper level                   |
| Lower level                   |
| Standby mode                  |
| Valve B CAN ID conflict       |
| Valve C CAN ID conflict       |
| IO module CAN ID conflict     |
| IO module communication       |
| Communication to master lost  |
| Min / max OD conflict         |
| Common alarm HW conflict      |
| Control method conflict       |
| Multiple valve setup conflict |

## Liquid level controller, Type EKE 347

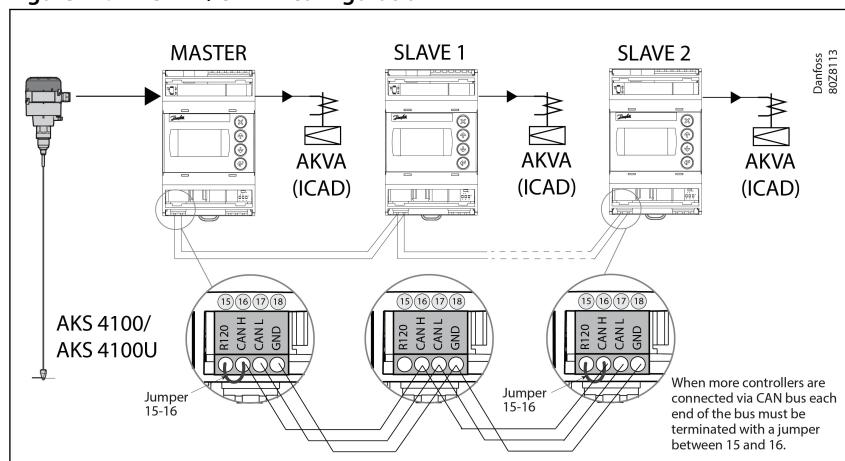
|                             |
|-----------------------------|
| Valve C alarm               |
| Valve B alarm               |
| Oscillation in level signal |
| Valve position              |
| Multiple valve capacity     |
| Valve C communication       |
| Valve B communication       |

**Table 11: Errors:**

|                                    |
|------------------------------------|
| Internal error                     |
| Level signal out of range          |
| Valve position signal out of range |
| Sensor supply overload             |
| AKS 4100 error                     |
| Too much current AI3               |
| Too much current AI4               |
| DO4 overload                       |

## MASTER / SLAVE configuration

**Figure 12: MASTER / SLAVE configuration**



### Multivalve

If the system capacity requires more than one control valve; up to three valves can be controlled simultaneously in a Master/Slave configuration, where the master and each slave controls one valve respectively.

EKE 347 IO config menu - Multiple valve setup - with one of these options:

- 2 valves with same capacity
- 2 valves with different capacity
- 3 valves with same capacity
- 3 valves with different capacity

Additionally the master must be programmed in IO config menu - Multiple valve pattern - for either:

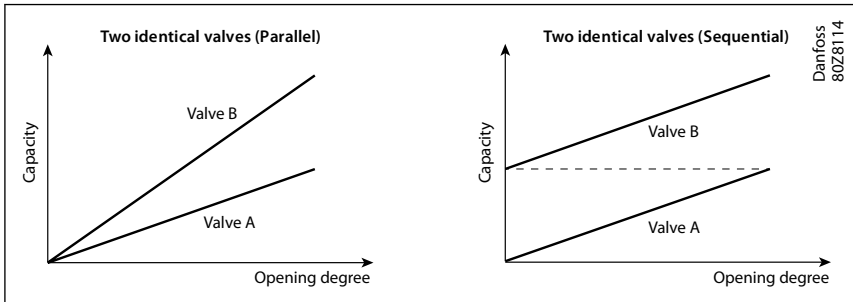
- **Valves in parallel** (valves regulate simultaneously) **or**
- **Valves sequential** (mainly one valve regulating at any time)

See principle below.

The slave EKE's only need identification of Slave and valve CAN ID (communication menu).

## Liquid level controller, Type EKE 347

Figure 13: Valves in parallel and Valves sequential



The default display of the master EKE will show the standard information together with a symbol of multiple valves and the actual total opening degree (see below).

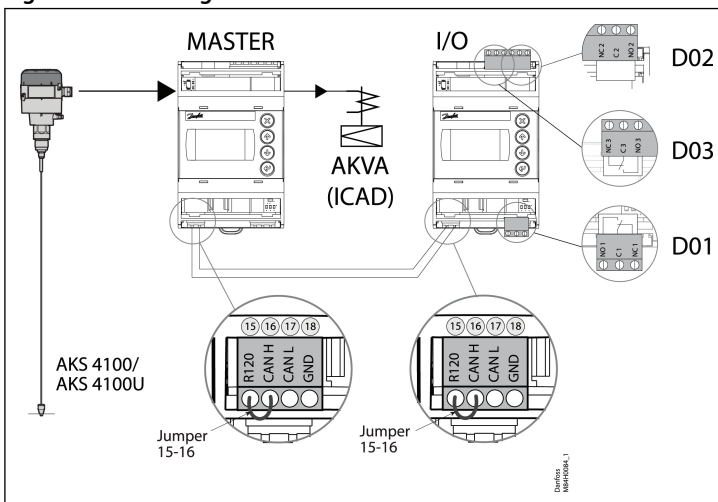


The default display of the slave EKE will show the actual liquid level (as the master), symbol of multiple valves, actual total opening degree and the opening degree of the individual valves involved (see below).



## I/O configuration

Figure 14: I/O configuration



## Remote display

The daily operation can be set up directly on the controller or via an external display device.

Figure 15: Example 1

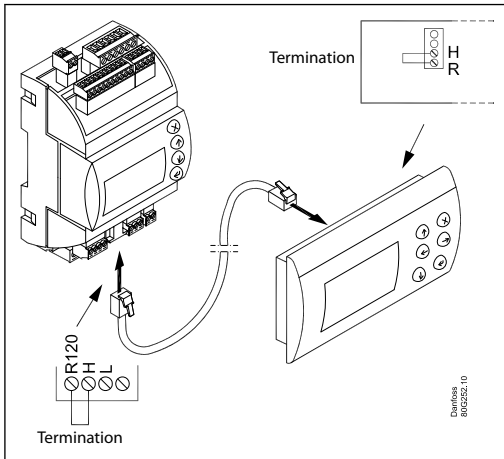


Figure 16: Example 2

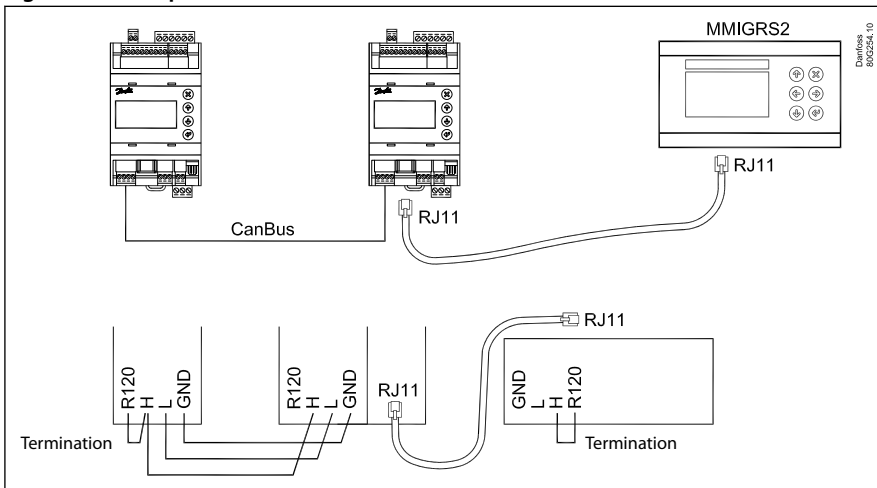
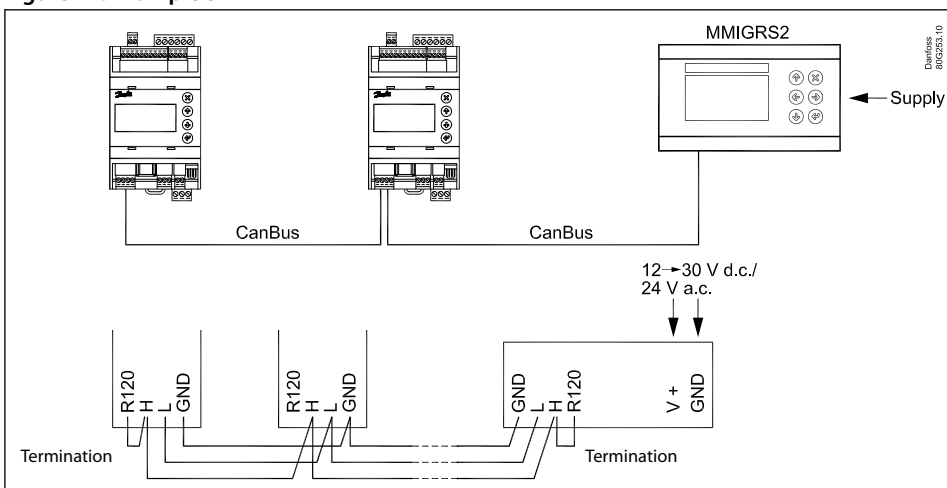


Figure 17: Example 3



### ERR31

#### Alarm on the external display - MMIGRS2

If the communication to the display is not carried out correctly, it will send an “ERR31” error notification. This may be caused by the displayed terminations not being installed, or that there have been interruptions in data communication during the time when the display retrieves the basic information from the controller. Once the

terminations have been inspected, you should then check the software version of the external display. This is done by holding down the Enter key and the X key for 5 seconds, until the Bios menu appears. Next, press the X key and read off the software version in the bottom right corner. The software version must be 1.13 or newer.

Once the display's software version has been checked, check the display's settings as follows:

1. Hold the Enter key and the X key down for 5 seconds, until the Bios menu appears
2. Select the "MCX selection" menu
  - 2.1. Select the "Clear UI" line and press Enter
  - 2.2. Select the "Autodetect" line and press Enter
3. Press the X key to return to the Bios menu
4. Select the "COM selection" menu
  - 4.1. Select the "CAN" line and press Enter
5. Press the X key to return to the Bios menu
6. Select the "Start up mode" menu
  - 6.1. Select the "Remote application" line and press Enter
7. Press the X key to return to the Bios menu
8. Select the "CAN" menu
  - 8.1. Select the "Baudrate" line and then select the "Autobaud" setting and press Enter
  - 8.2. Select the "Node ID" line and set the value to 126 and press Enter
9. Press the X key to return to the Bios menu
10. Select the "Application" menu and press Enter

**NOTE:**

The display will once again retrieve data from the controller. This process will take about 5 minutes.

## Modbus parameters

Table 12: Software version: 1.62.xx

| Label | Parameter name                 | Min value | Max value | Default | Unit | Decimals | Modbus PNU | Locked by main switch | EEPROM | Enumeration  |
|-------|--------------------------------|-----------|-----------|---------|------|----------|------------|-----------------------|--------|--|
| r12   | Main switch                    | 0         | 1         | 0       |      | 0        | 3001       | NO                    | YES    | 0 = Off   1 = On   |
| R01   | Liquid level setpoint          | 0         | 100       | 50      | %    | 1        | 3002       | NO                    | YES    |  |
| N07   | Operation Mode                 | 0         | 2         | 0       |      | 0        | 3003       | YES                   | YES    | 0 = Master   1 = Slave   2 = IO                                  |
| a02   | Lower level limit              | 0         | 100       | 15      | %    | 0        | 3004       | NO                    | YES    |  |
| a01   | Upper level limit              | 0         | 100       | 85      | %    | 0        | 3005       | NO                    | YES    |  |
| a07   | Level alarm mode               | 0         | 1         | 0       |      | 0        | 3006       | NO                    | YES    | 0 = Time   1 = Hysteresis  |
| a04   | Lower delay                    | 0         | 999       | 10      | s    | 0        | 3007       | NO                    | YES    |  |
| a03   | Upper delay                    | 0         | 999       | 50      | s    | 0        | 3008       | NO                    | YES    |  |
| a06   | Lower level hysteresis         | 0         | 20        | 3       | %    | 1        | 3009       | NO                    | YES    |  |
| a05   | Upper level hysteresis         | 0         | 20        | 5       | %    | 1        | 3010       | NO                    | YES    |  |
| a08   | Function common alarm          | 0         | 3         | 0       |      | 0        | 3011       | NO                    | YES    | 0 = Not follow   1 = Follow up   2 = Follow low   3 = Follow all |
| a12   | Oscillation detect band        | 0         | 100       | 100     | %    | 0        | 3012       | NO                    | YES    |  |
| a13   | Oscillation detect timeout     | 2         | 30        | 20      | min  | 0        | 3013       | NO                    | YES    |  |
| a25   | Force pump OFF in stopped mode | 0         | 1         | 0       |      | 0        | 3117       | NO                    | YES    | 0 = Off   1 = On   |
| a14   | IO Lower level limit           | 0         | 100       | 5       | %    | 0        | 3101       | NO                    | YES    |  |
| a15   | IO Upper level limit           | 0         | 100       | 95      | %    | 0        | 3102       | NO                    | YES    |  |
| a16   | IO Lower level hysteresis      | 0         | 20        | 3       | %    | 1        | 3103       | NO                    | YES    |  |
| a17   | IO Upper level hysteresis      | 0         | 20        | 3       | %    | 1        | 3104       | NO                    | YES    |  |
| a18   | IO Lower delay                 | 0         | 999       | 10      | s    | 0        | 3105       | NO                    | YES    |  |
| a19   | IO Upper delay                 | 0         | 999       | 50      | s    | 0        | 3106       | NO                    | YES    |  |
| a20   | IO Level limit                 | 0         | 100       | 50      | %    | 0        | 3107       | NO                    | YES    |  |
| a21   | IO Level delay                 | 0         | 999       | 10      | s    | 0        | 3108       | NO                    | YES    |  |
| a22   | IO Level hysteresis            | 0         | 20        | 3       | %    | 1        | 3109       | NO                    | YES    |  |
| a23   | IO Level action                | 0         | 1         | 0       |      | 0        | 3110       | NO                    | YES    | 0 = Falling   1 = Rising   |
| N03   | Control Method                 | 0         | 2         | 2       |      | 0        | 3014       | NO                    | YES    | 0 = On / off   1 = P-ctrl   2 = PI-ctrl                          |
| n35   | Regulating principle           | 0         | 1         | 0       |      | 0        | 3015       | NO                    | YES    | 0 = Low   1 = High   |

## Liquid level controller, Type EKE 347

| Label | Parameter name                   | Min value | Max value | Default | Unit | Decimals | Modbus PNU | Locked by main switch | EEPROM | Enumeration   |
|-------|----------------------------------|-----------|-----------|---------|------|----------|------------|-----------------------|--------|---|
| n04   | P-band                           | 5         | 200       | 30      | %    | 1        | 3016       | NO                    | YES    |   |
| n05   | Integration time Tn              | 60        | 600       | 400     | s    | 0        | 3017       | NO                    | YES    |   |
| n34   | Neutral zone                     | 0         | 25        | 2       | %    | 1        | 3018       | NO                    | YES    |   |
| N06   | Difference                       | 0,5       | 25        | 2       | %    | 1        | 3019       | NO                    | YES    |   |
| n13   | Period time for AKV / AKVA       | 3         | 15        | 6       | s    | 1        | 3020       | NO                    | YES    |   |
| n33   | Minimum OD                       | 0         |           | 0       | %    | 0        | 3021       | NO                    | YES    |   |
| n32   | Maximum OD                       | 1         | 100       | 100     | %    | 0        | 3022       | NO                    | YES    |   |
| o11   | Language                         | 0         | 0         | 0       |      | 0        | 3023       | YES                   | YES    | 0 = \$ActiveLanguageList  |
| o17   | Output indication                | 0         | 1         | 0       |      | 0        | 3024       | NO                    | YES    | 0 = Level   1 = OD  |
| K04   | Login timeout                    | 1         | 120       | 10      | min  | 0        | 3025       | NO                    | YES    |   |
| K06   | Backlight timeout                | 0         | 120       | 2       | min  | 0        | 3026       | NO                    | YES    |   |
| o05   | Password daily                   | 0         | 999       | 100     |      | 0        | 3027       | NO                    | YES    |   |
| K02   | Password service                 | 0         | 999       | 200     |      | 0        | 3028       | NO                    | YES    |   |
| K03   | Password commission              | 0         | 999       | 300     |      | 0        | 3029       | NO                    | YES    |   |
| K05   | Contrast                         | 0         | 100       | 40      | %    | 0        | 3030       | NO                    | YES    |   |
| K01   | Brightness                       | 0         | 100       | 80      | %    | 0        | 3031       | NO                    | YES    |   |
| I09   | System configuration             | 0         | 4         | 0       |      | 0        | 3032       | YES                   | YES    | 0 = ICAD+NC   1 = ICAD   2 = AKV/A+NC   3 = AKV/A   4 = NC only                                   |
| o31   | Level signal setup               | 0         | 3         | 0       |      | 0        | 3033       | YES                   | YES    | 0 = AKS4100   1 = AKS41   2 = Current   3 = Voltage   |
| o32   | Voltage at low liquid level      | 0         |           | 0       | V    | 1        | 3034       | NO                    | YES    |   |
| o33   | Voltage at high liquid level     |           | 10        | 10      | V    | 1        | 3035       | NO                    | YES    |   |
| I06   | Current at low liquid level      | 0         |           | 4       | mA   | 1        | 3036       | NO                    | YES    |   |
| I07   | Current at high liquid level     |           | 20        | 20      | mA   | 1        | 3037       | NO                    | YES    |   |
| o34   | Valve position setup             | 0         | 2         | 0       |      | 0        | 3038       | YES                   | YES    | 0 = Not used   1 = Current   2 = Voltage  |
| I02   | Voltage at closed valve position | 0         |           | 0       | V    | 1        | 3039       | NO                    | YES    |   |
| I03   | Voltage at open valve position   |           | 10        | 10      | V    | 1        | 3040       | NO                    | YES    |   |
| I04   | Current at closed valve position | 0         |           | 4       | mA   | 1        | 3041       | NO                    | YES    |   |
| I05   | Current at open valve position   |           | 20        | 20      | mA   | 1        | 3042       | NO                    | YES    |   |
| I18   | Common alarm setup               | 0         | 3         | 1       |      | 0        | 3043       | YES                   | YES    | 0 = DO4   1 = High Alarm   2 = DO3   3 = Disp only  |
| I08   | Multiple valve setup             | 0         | 4         | 0       |      | 0        | 3044       | YES                   | YES    | 0 = Not used   1 = 2 same cap   2 = 2 dif cap   3 = 3 same cap   4 = 3 dif cap                    |
| I13   | Multiple valve pattern           | 0         | 1         | 0       |      | 0        | 3045       | NO                    | YES    | 0 = Parallel   1 = Sequence   |
| I10   | Valve A capacity                 | 0         | 100       | 50      | %    | 0        | 3046       | YES                   | YES    |   |
| I11   | Valve B capacity                 | 0         | 100       | 50      | %    | 0        | 3047       | YES                   | YES    |   |
| I12   | Valve C capacity                 | 0         | 100       | 33      | %    | 0        | 3048       | YES                   | YES    |   |
| I17   | ICAD takeover OD                 | 0         | 100       | 80      | %    | 0        | 3052       | NO                    | YES    |   |
| I19   | IO module setup                  | 0         | 1         | 0       |      | 0        | 3091       | YES                   | YES    | 0 = Not used   1 = Used   |
| G01   | CAN ID                           | 1         | 127       | 1       |      | 0        | 4032       | NO                    | NO     |   |
| G02   | Can baudrate                     | 0         | 5         | 4       |      | 0        | 4033       | NO                    | NO     | 0 = 20k   1 = 50k   2 = 125k   3 = 250k   4 = 500k   5 = 1M                                       |
| G06   | Modbus ID                        | 0         | 120       | 1       |      | 0        | 3055       | NO                    | YES    |   |
| G05   | Modbus baudrate                  | 0         | 8         | 6       |      | 0        | 3056       | NO                    | YES    | 0 = 0   1 = 1200   2 = 2400   3 = 4800   4 = 9600   5 = 14400   6 = 19200   7 = 28800   8 = 38400 |
| G08   | Modbus mode                      | 0         | 2         | 1       |      | 0        | 3057       | NO                    | YES    | 0 = 8N1   1 = 8E1   2 = 8N2   |
| G07   | Modbus mapping                   | 0         | 1         | 0       |      | 0        | 3058       | NO                    | YES    | 0 = Operation   1 = Setup   |
| G09   | Valve B CAN ID                   | 1         | 127       | 2       |      | 0        | 3088       | YES                   | YES    |   |
| G10   | Valve C CAN ID                   | 1         | 127       | 3       |      | 0        | 3089       | YES                   | YES    |   |
| G11   | IO Mod. CAN ID                   | 1         | 127       | 4       |      | 0        | 3090       | YES                   | YES    |   |

## Liquid level controller, Type EKE 347

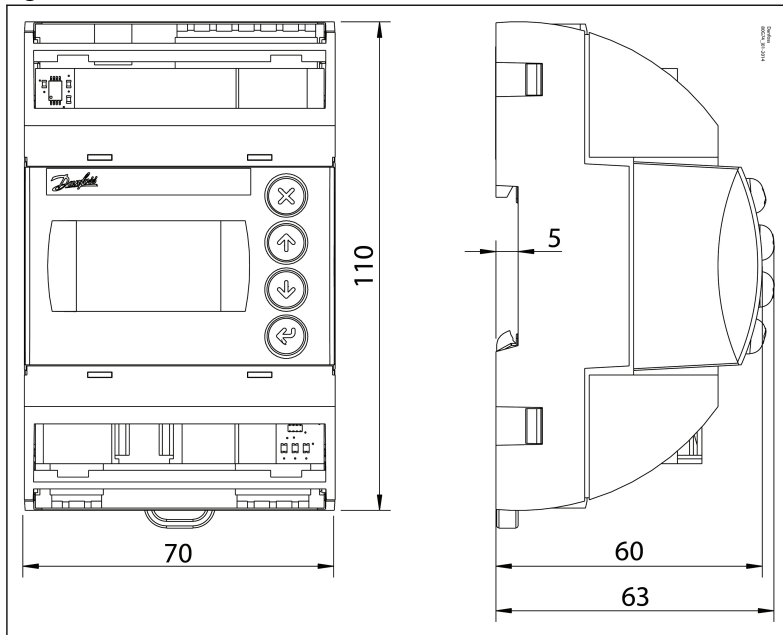
| Label      | Parameter name                 | Min value | Max value | Default | Unit | Decimals | Modbus PNU | Locked by main switch | EEPROM | Enumeration  |
|------------|--------------------------------|-----------|-----------|---------|------|----------|------------|-----------------------|--------|--|
| <b>B01</b> | Controller state               | 0         | 6         | 0       |      | 0        | 4001       | YES                   | NO     | 0 = Powerup   1 = Stop   2 = Auto   3 = Manual   4 = Slave   5 = IO   6 = Safe |
| <b>u01</b> | Actual level                   | 0         | 100       | 0       | %    | 1        | 4002       | NO                    | NO     |  |
| <b>u02</b> | Actual reference               | 0         | 100       | 0       | %    | 1        | 4003       | YES                   | NO     |  |
| <b>u24</b> | Actual OD                      | 0         | 100       | 0       | %    | 1        | 4004       | NO                    | NO     |  |
| <b>u33</b> | Actual valve position          | 0         | 100       | 0       | %    | 1        | 4005       | NO                    | NO     |  |
| <b>u10</b> | Digital input status           | 0         | 1         | 0       |      | 0        | 4006       | NO                    | NO     | 0 = Off   1 = On   |
| <b>u31</b> | Actual level signal voltage    | 0         | 100       | 0       | V    | 1        | 4007       | NO                    | NO     |  |
| <b>u30</b> | Actual level signal current    | 0         | 24        | 0       | mA   | 1        | 4008       | NO                    | NO     |  |
| <b>B02</b> | Actual position signal voltage | 0         | 100       | 0       | V    | 1        | 4009       | NO                    | NO     |  |
| <b>u32</b> | Actual position signal current | 0         | 100       | 0       | mA   | 1        | 4010       | NO                    | NO     |  |
| <b>B03</b> | Actual OD A                    | 0         | 100       | 0       | %    | 1        | 4011       | NO                    | NO     |  |
| <b>B04</b> | Actual OD B                    | 0         | 100       | 0       | %    | 1        | 4012       | NO                    | NO     |  |
| <b>B05</b> | Actual OD C                    | 0         | 100       | 0       | %    | 1        | 4013       | NO                    | NO     |  |
| <b>o18</b> | Manual Mode                    | 0         | 1         | 0       |      | 0        | 4014       | NO                    | NO     | 0 = Off   1 = On   |
| <b>o45</b> | Manual OD                      | 0         | 100       | 50      | %    | 1        | 3059       | NO                    | NO     |  |
| <b>B08</b> | Manual low alarm               | 0         | 1         | 0       |      | 0        | 3060       | NO                    | NO     | 0 = Off   1 = On   |
| <b>B06</b> | Manual high alarm              | 0         | 1         | 0       |      | 0        | 3061       | NO                    | NO     | 0 = Off   1 = On   |
| <b>B07</b> | Manual common alarm            | 0         | 1         | 0       |      | 0        | 3062       | NO                    | NO     | 0 = Off   1 = On   |
| <b>B09</b> | Apply defaults                 | 0         | 1         | 0       |      | 0        | 3063       | YES                   | NO     | 0 = None   1 = Factory   |
| <b>B11</b> | Oscillation amplitude          | 0         | 100       | 0       | %    | 1        | 4028       | YES                   | NO     |  |
| <b>B10</b> | Oscillation period             | 0         | 3600      | 0       | s    | 0        | 4029       | YES                   | NO     |  |

**Table 13: Alarms**

| Label      | Alarm name                         | Modbus PNU | Bit number |
|------------|------------------------------------|------------|------------|
| <b>A1</b>  | Upper level                        | 1901       | 8          |
| <b>A2</b>  | Lower level                        | 1901       | 9          |
| <b>A92</b> | Oscillation in level signal        | 1901       | 10         |
| <b>A96</b> | Valve position                     | 1901       | 14         |
| <b>A97</b> | Multiple valve capacity            | 1901       | 15         |
| <b>E1</b>  | Internal error                     | 1901       | 0          |
| <b>E21</b> | Level signal out of range          | 1901       | 1          |
| <b>E22</b> | Valve position signal out of range | 1901       | 2          |
| <b>E96</b> | AKS 4100 error                     | 1901       | 3          |
| <b>A45</b> | Standby mode                       | 1901       | 4          |
| <b>A99</b> | Valve B communication              | 1901       | 5          |
| <b>A98</b> | Valve C communication              | 1901       | 6          |
| <b>A85</b> | Communication to master lost       | 1901       | 7          |
| <b>A91</b> | Valve B alarm                      | 1902       | 8          |
| <b>A90</b> | Valve C alarm                      | 1902       | 9          |
| <b>A88</b> | Control method conflict            | 1902       | 10         |
| <b>A87</b> | Common alarm HW conflict           | 1902       | 11         |
| <b>A86</b> | Min / max OD conflict              | 1902       | 12         |
| <b>E95</b> | Sensor supply overload             | 1902       | 13         |
| <b>E99</b> | DO4 overload                       | 1902       | 14         |
| <b>E97</b> | Too much current AI3               | 1902       | 15         |
| <b>E98</b> | Too much current AI4               | 1902       | 0          |
| <b>A89</b> | Multiple valve setup conflict      | 1902       | 1          |
| <b>A80</b> | Valve B CAN ID conflict            | 1902       | 2          |
| <b>A81</b> | Valve C CAN ID conflict            | 1902       | 3          |
| <b>A82</b> | IO module CAN ID conflict          | 1902       | 4          |
| <b>A83</b> | IO module communication            | 1902       | 5          |

## Dimensions and weights

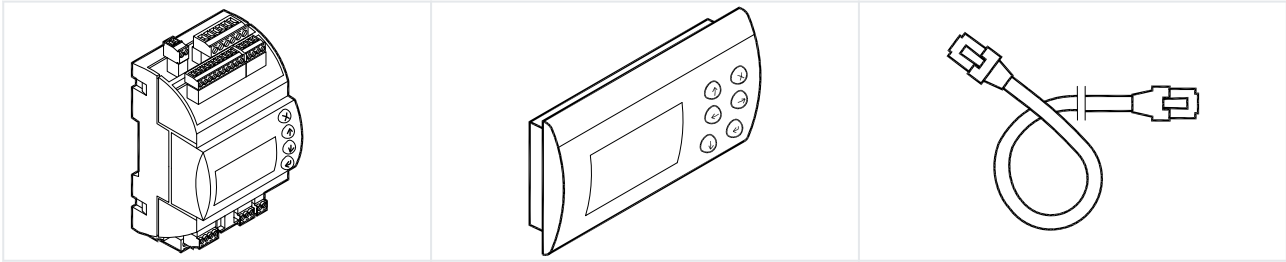
Figure 18: EKE 347





## Ordering

Table 14: Ordering



| Type           | Description                              | Code No.        |
|----------------|--|-----------------|
| <b>EKE 347</b> | Liquid level controller                  | <b>080G5000</b> |
| <b>MMIGRS2</b> | Remote display, Panel, S                 | <b>080G0294</b> |
|                | Wire for display unit, L = 1.5 m, 1 pcs. | <b>080G0075</b> |
|                | Wire for display unit, L = 3 m, 1 pcs.   | <b>080G0076</b> |
|                | EKE / EKC accessory for panel mounting   | <b>027F0309</b> |

## Certificates, declarations, and approvals






The list contains all certificates, declarations, and approvals for this product type. Individual code number may have some or all of these approvals, and certain local approvals may not appear on the list.

Some approvals may change over time. You can check the most current status at [danfoss.com](http://danfoss.com) or contact your local Danfoss representative if you have any questions.

**Table 15: Valid Approvals**

| File name            | Document type   | Document topic | Approval authority |
|----------------------|-----------------|----------------|--------------------|
| UA.1O146.D.00070-19  | UA Declaration  | EMCD/LVD       | LLC CDC EURO-TYSK  |
| RU Д-DK.ГA02.B.05523 | EAC Declaration | EMC            | EAC                |
| 080R4002.01          | China RoHS      | CRN            | Danfoss            |
| 080R4000.02          |                 | CRN            | Danfoss            |

**Table 16: Conformity Approvals**

|   |  |
|---|--|
|      | EU Low Voltage Directive and EMC demands re CE-marking complied with.<br>LVD-tested acc. to EN 60730-1 and EN 60730-2-9<br>EMC-tested acc. to EN61000-6-3 and EN 61000-6-2<br>UL file E31024 |
|---|--|

## Online support

Danfoss offers a wide range of support along with our products, including digital product information, software, mobile apps, and expert guidance. See the possibilities below.

### The Danfoss Product Store



The Danfoss Product Store is your one-stop shop for everything product related—no matter where you are in the world or what area of the cooling industry you work in. Get quick access to essential information like product specs, code numbers, technical documentation, certifications, accessories, and more.

Start browsing at [store.danfoss.com](https://store.danfoss.com).

### Find technical documentation



Find the technical documentation you need to get your project up and running. Get direct access to our official collection of data sheets, certificates and declarations, manuals and guides, 3D models and drawings, case stories, brochures, and much more.

Start searching now at [www.danfoss.com/en/service-and-support/documentation](https://www.danfoss.com/en/service-and-support/documentation).

### Get local information and support



Local Danfoss websites are the main sources for help and information about our company and products. Find product availability, get the latest regional news, or connect with a nearby expert—all in your own language.

Find your local Danfoss website here: [www.danfoss.com/en/choose-region](https://www.danfoss.com/en/choose-region).

### Danfoss Learning



Danfoss Learning is a free online learning platform. It features courses and materials specifically designed to help engineers, installers, service technicians, and wholesalers better understand the products, applications, industry topics, and trends that will help you do your job better.

Create your Danfoss Learning account for free at [www.danfoss.com/en/service-and-support/learning](https://www.danfoss.com/en/service-and-support/learning).

### Spare Parts



Get access to the Danfoss spare parts and service kit catalog right from your smartphone. The app contains a wide range of components for air conditioning and refrigeration applications, such as valves, strainers, pressure switches, and sensors.

Download the Spare Parts app for free at [www.danfoss.com/en/service-and-support/downloads](https://www.danfoss.com/en/service-and-support/downloads).

### Coolselector®2 - find the best components for you HVAC/R system



Coolselector®2 makes it easy for engineers, consultants, and designers to find and order the best components for refrigeration and air conditioning systems. Run calculations based on your operating conditions and then choose the best setup for your system design.

Download Coolselector®2 for free at [coolselector.danfoss.com](https://coolselector.danfoss.com).

### Danfoss A/S

Climate Solutions • [danfoss.com](https://danfoss.com) • +45 7488 2222

Any information, including, but not limited to information on selection of product, its application or use, product design, weight, dimensions, capacity or any other technical data in product manuals, catalogues descriptions, advertisements, etc. and whether made available in writing, orally, electronically, online or via download, shall be considered informative, and is only binding if and to the extent, explicit reference is made in a quotation or order confirmation. Danfoss cannot accept any responsibility for possible errors in catalogues, brochures, videos and other material. Danfoss reserves the right to alter its products without notice. This also applies to products ordered but not delivered provided that such alterations can be made without changes to form, fit or function of the product.

All trademarks in this material are property of Danfoss A/S or Danfoss group companies. Danfoss and the Danfoss logo are trademarks of Danfoss A/S. All rights reserved.