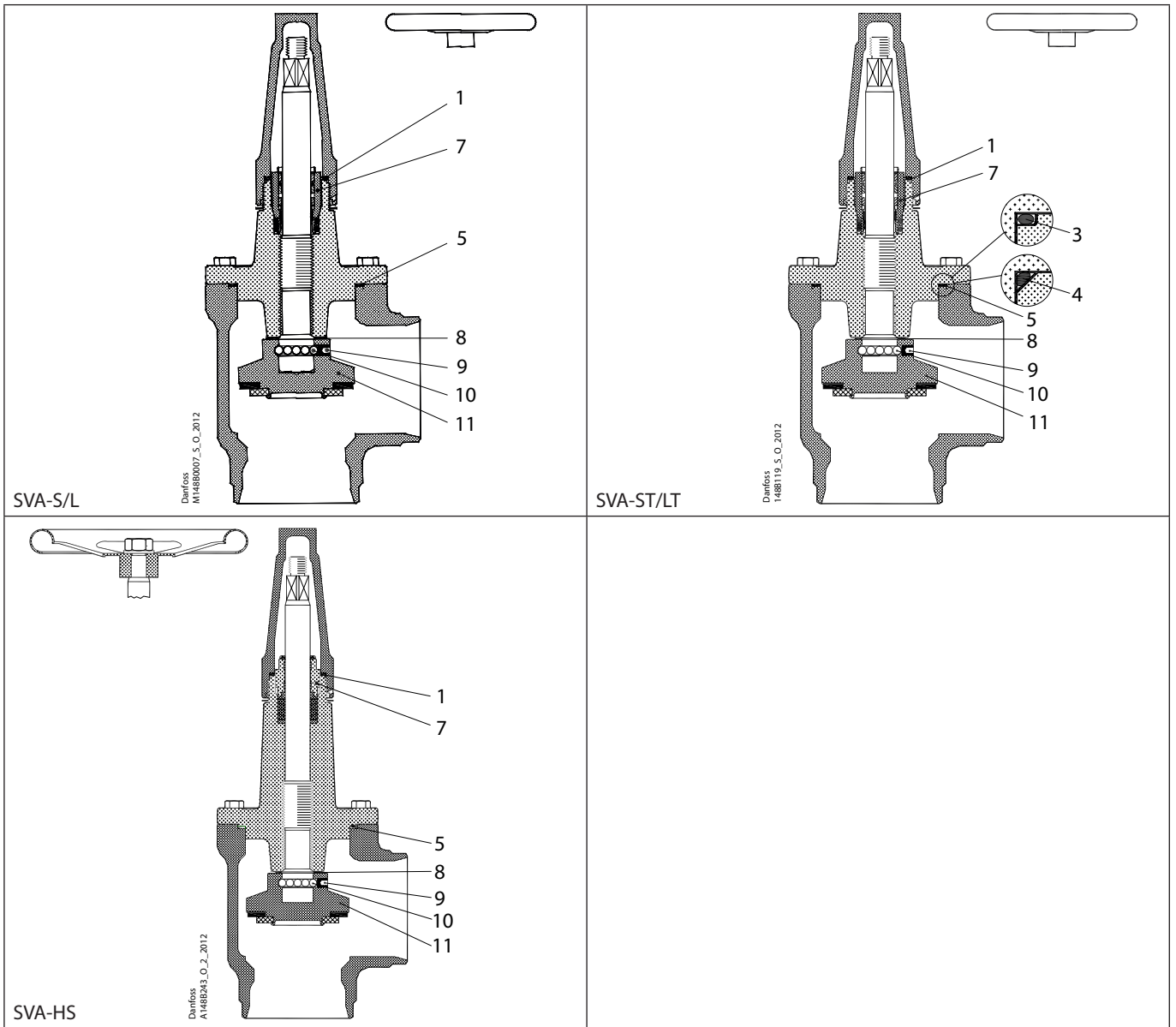


Installation guide – Spare parts and accessories

Overhaul kit | Code number 148B6472

Shut-off valves, SVA-S/L, SVA-ST/LT, SVA-HS, size 200



<p>1</p> <p> = Nylon</p> <p></p> <p>Total no. = 1</p>	<p>3</p> <p></p> <p></p> <p>Total no. = 1</p>	<p>5</p> <p> = Fibre</p> <p></p> <p>Total no. = 1</p>	<p>7</p> <p></p> <p>Ø50 mm Ø1.97"</p> <p>Total no. = 1</p>	<p>8</p> <p> = PTFE</p> <p></p> <p>Total no. = 1</p>
<p>9</p> <p></p> <p>M12</p> <p>Total no. = 1</p>	<p>10</p> <p></p> <p>Ø10 mm Ø0.394"</p> <p>Total no. = 13</p>	<p>11</p> <p></p> <p>Total no. = 1</p>	<p>12</p> <p></p> <p>Total no. = 1</p>	<p>13</p> <p></p> <p>Total no. = 1</p>