

General

GB 12350--2009

GB/T 21418-2008

JB/T 10562-2006

This specification defines the general data, mechanical, electrical characteristics, environment and experiment, performance curve, Outline Drawing and precautions of the EC brushless external rotor motorized axial fan and so on.

Standard:

GB 12350-2009 《Safety requirements of small power motors》

GB/T 21418-2008 《General specification for permanent magnet brushless motor system》

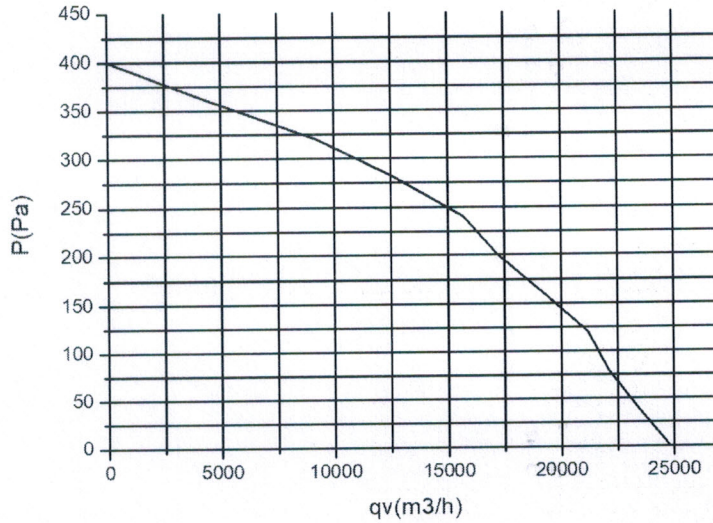
JB/T 10562-2006 《General technical requirement for general axial fan》

General Data

No.	Name	Parameter
2.1	Max Air Flow	24800 m ³ /h
2.2	Rated Speed	1050 r/min
2.3	Input Power	2300W
2.4	Rated Voltage	380V
2.5	Operating Voltage	380-480 VAC
2.6	Start Voltage	≤300VAC
2.7	Rated Current	≤3.4A
2.8	Noise Level	≤83dB(A)
2.9	Direction	CCW(seen on rotor of motor)
2.10	Insulation Class	F
2.11	Speed Control	0~10VDC & PWM
2.12	Grounding Resistance	≤0.1 Ω

No.	Name	Parameter
2.13	Withstand voltage	1800VAC 50Hz 10mA 60 s Voltage:1800VAC 50Hz Tripping current:10mA Time: 60 s
2.14	Insulation Resistance	500VDC $\geq 50M \Omega$ Voltage:500VDC Resistance: $\geq 50M \Omega$
2.15	Electrical Protection	Undervoltage protection Overvoltage protection Overcurrent protection Locked rotor protection Automatic restart capability Soft start
2.16	IP Class	IP54
2.17	Signal Feedback	FG 1 FG sign:open-drain output, 1 pulses/R
2.18		+10VDC
2.19	RoHS	RoHS All the material meets RoHS standard.
2.20	Impeller Color	Grey
2.21	Bearing	Deep groove ball bearings
2.22	Weight	32Kg
2.23	Package	Carton+ pallet
2.24	Operating Temperature	-25°C to 60°C
2.25	Operating Humidity	5% to 90% RH

Performance curve and Rating plate




WEIGUANG® EC180/85D3G01-AS800/120A1-02-B

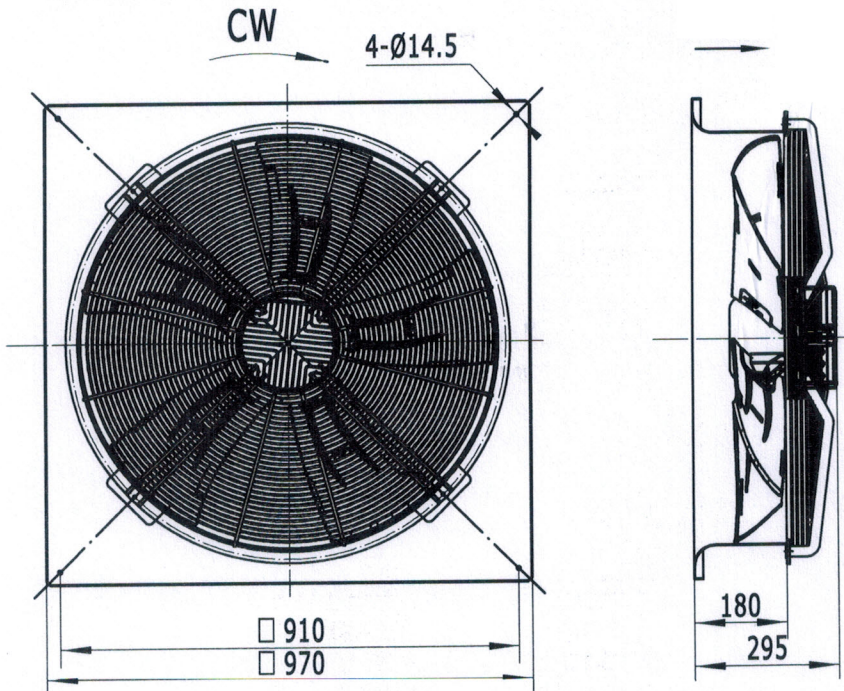
380-480V 50/60Hz 1900/2300W 1050r/min CL.F IP54

Blk:L1 Bro:L2 Blu:L3 Yel-Gre:PE

Red:+10V Blu:GND Whi:Tach output Yel:0~10VDC/PWM



Outline Drawing



Connection Diagram

