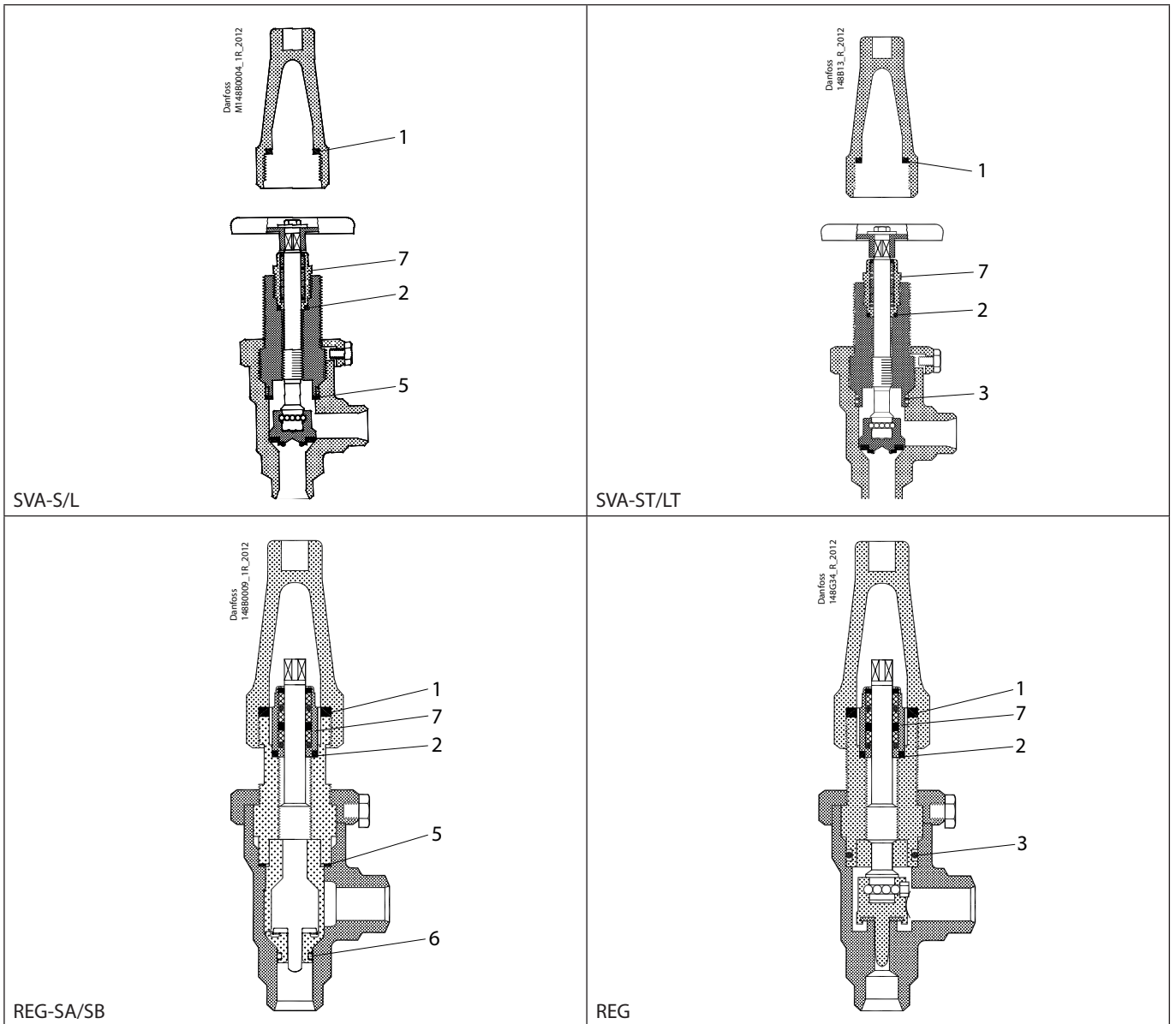


Installation guide – Spare parts and accessories

Repair kit | Code number 148B6060  
SVA-S/L, SVA-ST/LT sizes 6 to 10, REG-SA/SB, REG size 10



<p><b>1</b></p> <p> = Nylon</p> <p>Ø21 mm Ø17 mm</p> <p>Total no. = 1</p>	<p><b>2</b></p> <p> = Alu.</p> <p>Ø14 mm Ø10 mm</p> <p>Total no. = 1</p>	<p><b>3</b></p> <p>Ø17 mm Ø13 mm</p> <p>Total no. = 1</p>	<p><b>5</b></p> <p> = Alu.</p> <p>Ø22 mm Ø18 mm</p> <p>Total no. = 1</p>	<p><b>6</b></p> <p>Ø8 mm Ø6 mm</p> <p>Total no. = 1</p>
<p><b>7</b></p> <p>Ø14 mm</p> <p>Total no. = 1</p>				

**NOTE:** When replacing the packing gland (pos. 7) in SVA-ST, SVA-S/L, SVA-HS or REG the aluminium gasket (pos. 2) is needed.