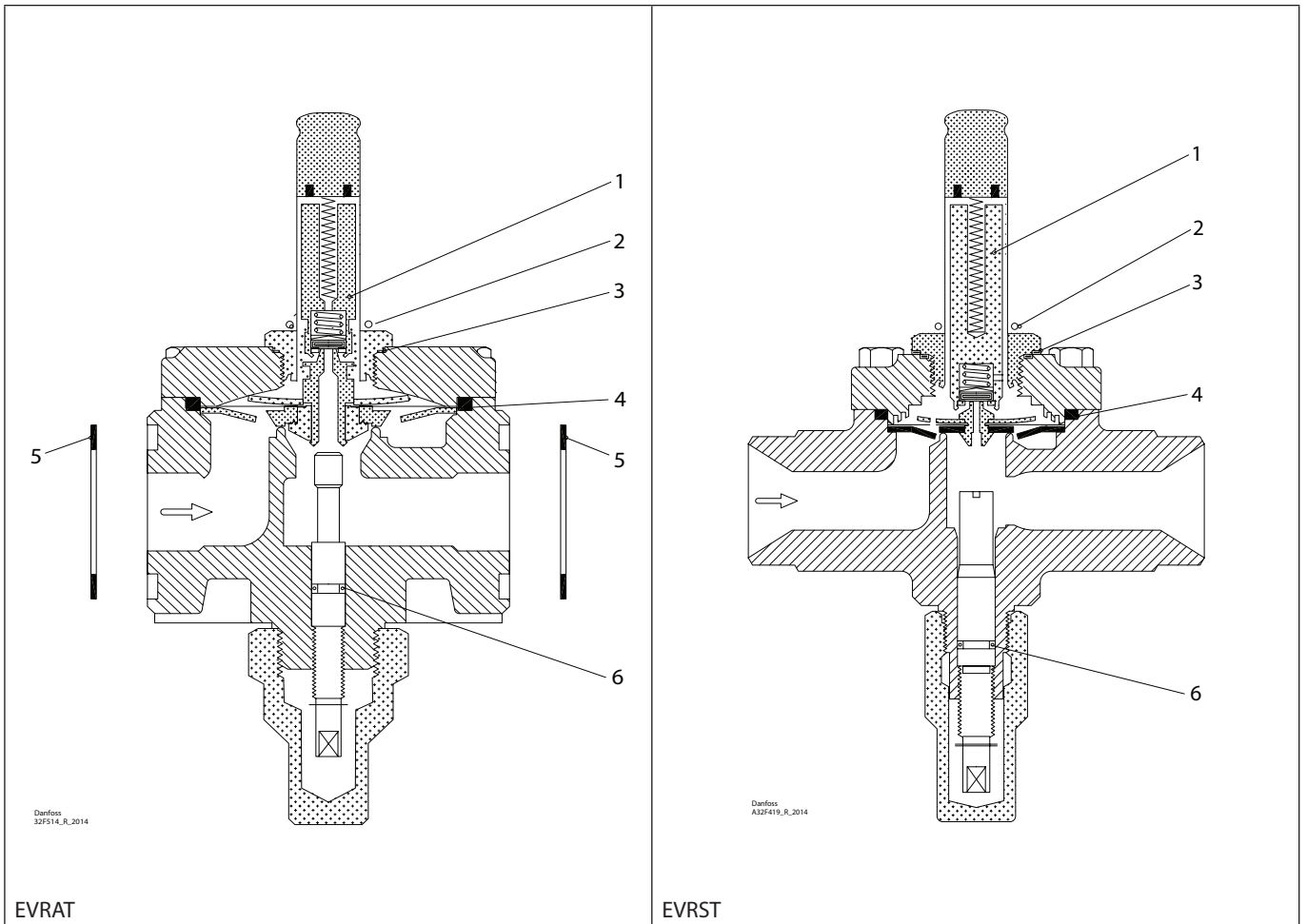


Installation guide – Spare parts and accessories

Repair kit | Code number 032F2345  
EVRAT and EVRST, size 20



<p><b>1</b></p> <p>Ø38 mm Ø1.5"</p> <p>Total no. = 1</p>	<p><b>2</b></p> <p>Ø14 mm Ø0.56"</p> <p>Total no. = 1</p>	<p><b>3</b></p> <p>Ø27 mm Ø1.04"</p> <p>Total no. = 1</p>	<p><b>4</b></p> <p>Ø64 mm Ø2.52"</p> <p>Total no. = 1</p>	<p><b>5</b></p> <p>Ø39 mm Ø1.54"</p> <p>Total no. = 2</p>
<p><b>6</b></p> <p>Ø5 mm Ø0.2"</p> <p>Total no. = 1</p>				