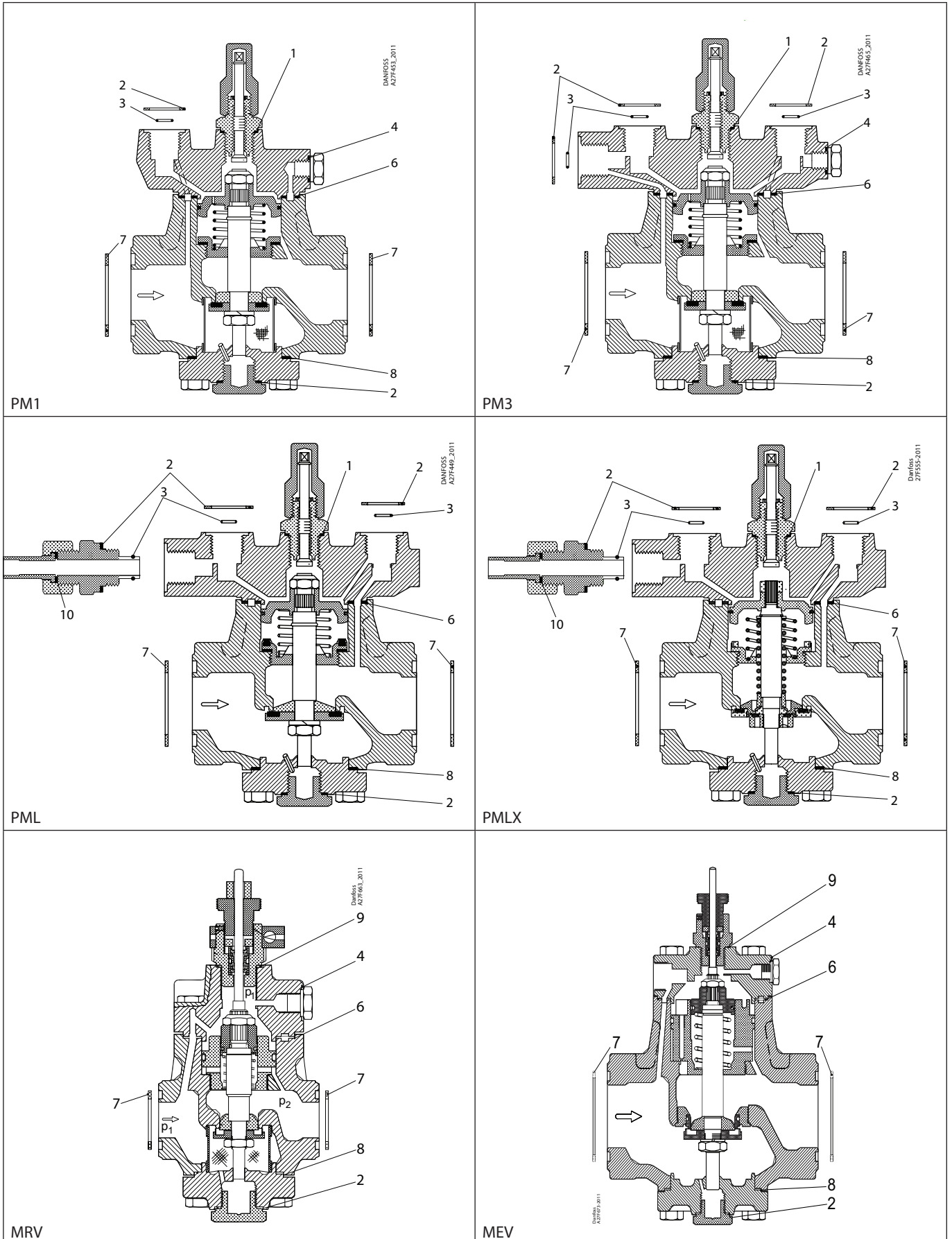
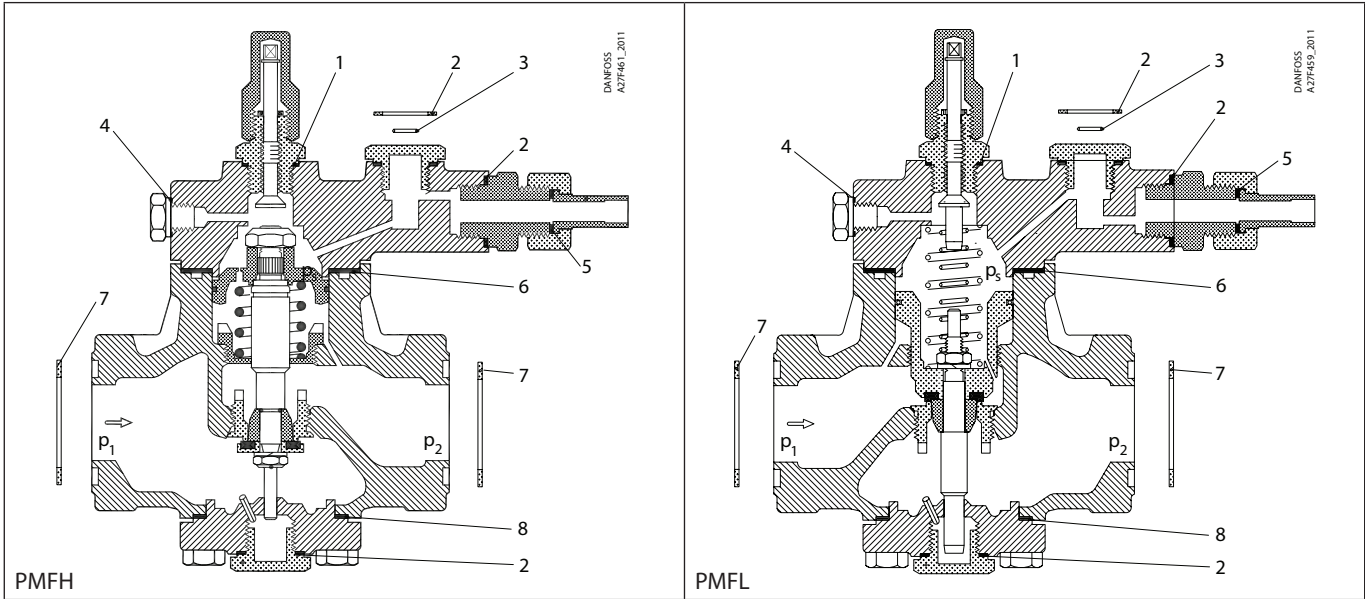


Installation guide – Spare parts and accessories

Inspection kit | Code number 027F3076

PM, PML, PMLX, MRV, size 32 | MEV, PMFH, PMFL, size 125





<p><b>1</b></p> <p> = Alu.</p> <p>Ø26 mm Ø1.02"</p> <p>Total no. = 1</p>	<p><b>2</b></p> <p> = Fibre</p> <p>Ø33 mm Ø1.28"</p> <p>Total no. = 4</p>	<p><b>3</b></p> <p> = Alu.</p> <p>Ø9 mm Ø0.36"</p> <p>Total no. = 3</p>	<p><b>4</b></p> <p> = Alu.</p> <p>Ø18 mm Ø0.70"</p> <p>Total no. = 1</p>
<p><b>5</b></p> <p> = Alu.</p> <p>Ø14 mm Ø0.55"</p> <p>Total no. = 1</p>	<p><b>6</b></p> <p> = Fibre</p> <p>Ø85 mm Ø3.35"</p> <p>Total no. = 1</p>	<p><b>7</b></p> <p> = Fibre</p> <p>Ø58 mm Ø2.28"</p> <p>Total no. = 2</p>	<p><b>8</b></p> <p> = Fibre</p> <p>Ø70 mm Ø2.76"</p> <p>Total no. = 1</p>
<p><b>9</b></p> <p> = Alu.</p> <p>Ø32 mm Ø1.26"</p> <p>Total no. = 1</p>	<p><b>10</b></p> <p> = Alu.</p> <p>Ø22 mm Ø0.87"</p> <p>Total no. = 1</p>		