



REFRIGERATION AND AIR CONDITIONING

Instructions

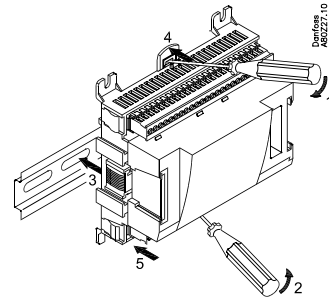
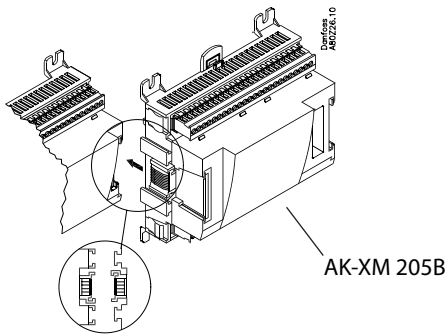
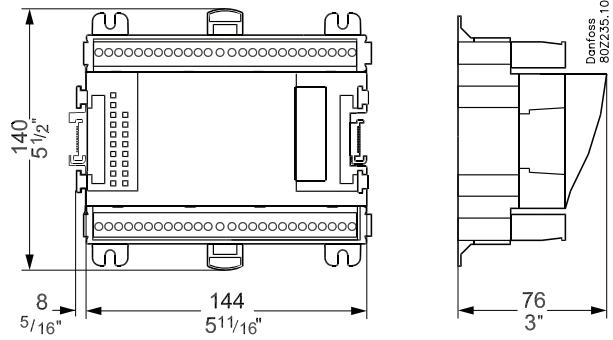
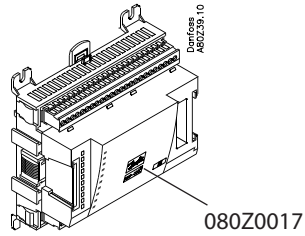
AK-XM 205B



080R9218



RI8HM602



CE

-20°C < t_{amb} < 55°C
-0°F < t_{amb} < 130°F
0 - 95% RH, non condensing
IP10 / VBG4
UL: E357029



Warning
Ensure power is disconnected before adding or removing Modules

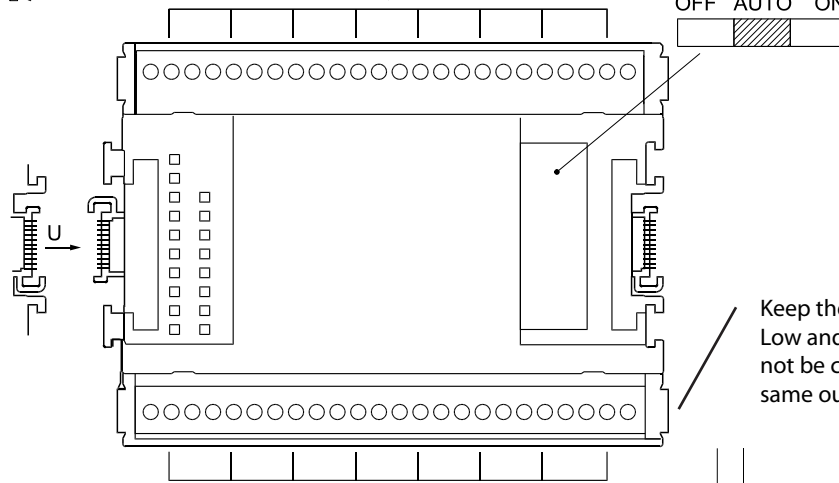
AI x 8
DO x 8

Danfoss
AB0Z40.11

AI

max. 10 V

OFF AUTO ON



Keep the safety distance
Low and high voltage must not be connected to the same output group

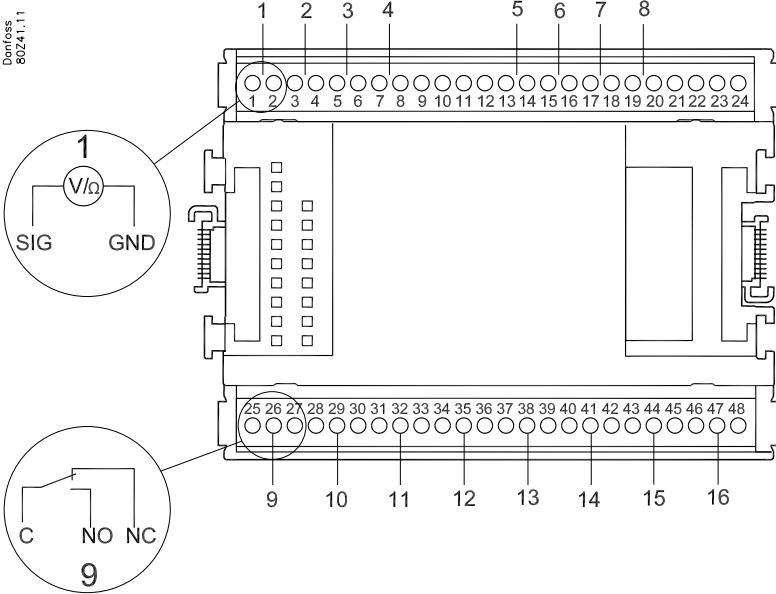
ON/OFF

SPDT

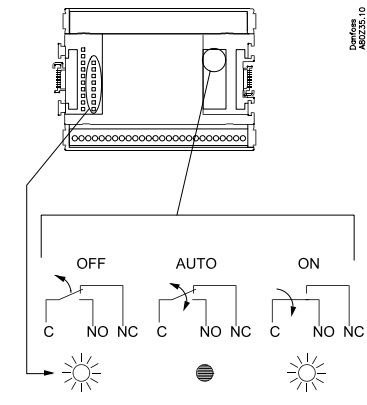
Max. 230 V
AC-1: max. 4 A (ohmic)
AC-15: max. 3 A (Inductive)

Point

Danfoss 80241.11



Override (off / Auto / on)

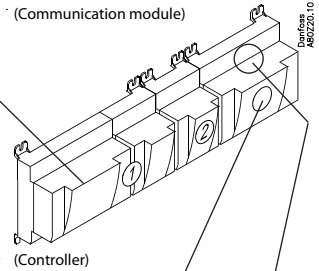
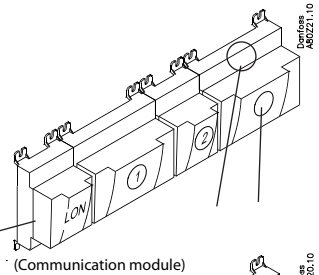
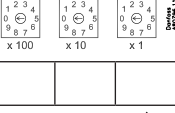


Danfoss A60235.10

- Terminal 9: 12 V
- Terminal 10: 5 V
- Terminal 21: 12 V
- Terminal 22: 5 V
- Terminal 11, 12, 23, 24 : 6

	Signal	Signal type
S (sensor) Pt 1000 ohm/0°C 	S1 S2 Saux1 Saux2 SSA SdA	Pt 1000
P (pressure) AKS 32R AKS 2050 AKS 32 	POA POB PcA PcB Paux	AKS 32R AKS 2050 MBS 8250 -1 - xx bar AKS 32 -1 - zz bar
U (voltage) 	...	0 - 5 V 0 - 10 V
On/Off 	Ext. Main switch Day/ Night Door	Active at: Closed / Open
DO 	Comp 1 Comp 2 Fan 1 Alarm	Active at: ON / OFF

Address



Signal	Signal type / Active at	Module	Point	Terminal
			1 (AI 1)	1 - 2
			2 (AI 2)	3 - 4
			3 (AI 3)	5 - 6
			4 (AI 4)	7 - 8
			5 (AI 5)	13 - 14
			6 (AI 6)	15 - 16
			7 (AI 7)	17 - 18
			8 (AI 8)	19 - 20
			9 (DO 1)	25-26-27
			10 (DO 2)	28-29-30
			11 (DO 3)	31-32-33
			12 (DO 4)	34-35-36
			13 (DO 5)	37-38-39
			14 (DO 6)	40-41-42
			15 (DO 7)	43-44-45
			16 (DO 8)	46-47-48

The Product contains electrical components And may not be disposed together with domestic waste. Equipment must be separate collected with Electrical and Electronic waste. According to Local and currently valid legislation.