

APPION™

Star Performance

G1 Single™

SINGLE CYLINDER RECOVERY



Easy to Clean
Filter Screen



Simple One
Switch Control



Pumps R410a
Liquid/Vapor

Modular Construction
For Easy Repair

Heavy Duty Crankcase
Isolated From Refrigerant

Simply Powerful Recovery

The G1 Single was designed with proven next-generation technology to create the easiest to use refrigerant recovery machine, ideal for servicing smaller systems, but capable of handling recovery jobs of all sizes. The versatile G1 Single gives technicians the competitive advantage with superior performance at an attractive price.

Easy To Use

The G1 Single's simple one-switch design makes recovery a breeze. Simply hook up the G1 Single and you're ready to go. And thanks to the G1 Single's integrated condenser, the time-consuming purge cycle is a thing of the past, making recovery jobs faster and easier than ever.

Tough & Durable

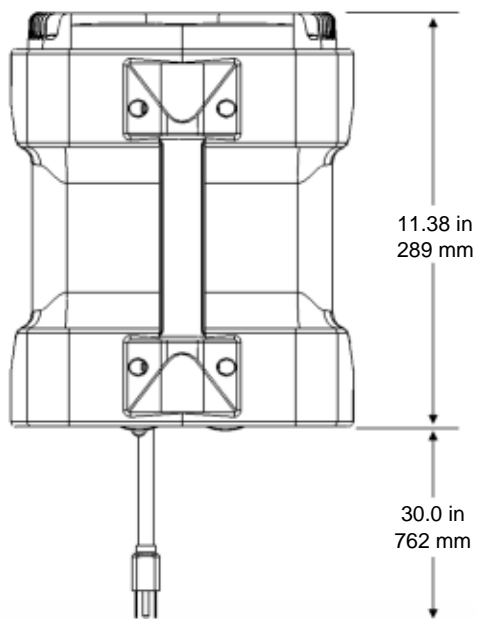
The G1 Single features the same advanced technology found in the market leading Appion G5 Twin. The refrigerant-isolated compressor crankcase protects the bearings and drive components from the corrosive acids, sludge and debris brought in by recovered refrigerant. The 7-inch, 10-blade turbine fan blasts 600 cfm of cooling air over the entire compressor assembly, delivering better cooling for the cylinder head so the seals and valves stay cooler and last longer too. With all this inside a field-durable case with an ergonomic soft gripping rubber handle, the G1 Single is designed for maximum performance and reliability.

Easy to Service

The simple and robust design of the G1 Single also makes it quick and easy to take apart and repair. The entire unit can be completely rebuilt in about 20-30 minutes with just a few hand tools. All of the parts are easily accessed and replaceable for long life. Since it is so easy to use and so easily repaired in the field, the G1 Single is the best value of any machine in its class.

Weights Just
22 Lbs.

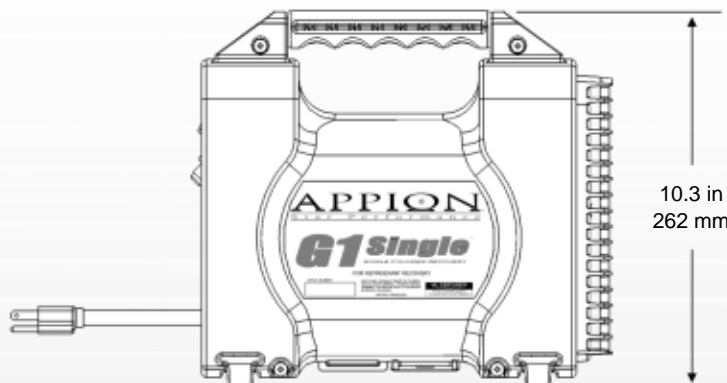
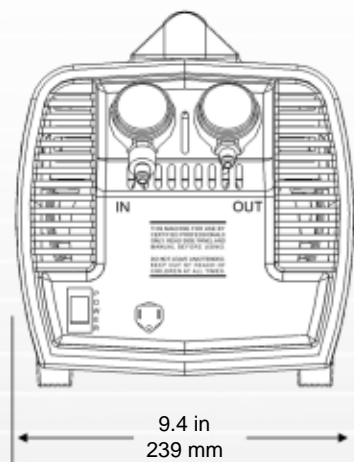
Easy To
Service



G1Single Specifications		
Length	11.38 in.	289 mm.
Height	10.3 in.	262 mm.
Width	9.4 in.	239 mm.
Weight	22 Lbs.	10 Kgs..
Power	115 VAC, 60 Hz, 10 Amps	
Recovery Rates (lb/min)	R410a	R22
Push/Pull	12.14	10.78
Direct Liquid	4.31	8.54
76°F Vapor	0.26	0.26
104°F Vapor	N/A	0.31

UL certified to meet or exceed EPA regulations per ARI 740-98.
For use with class III, IV, and V refrigerants:

R-12, R-134a, R-401c, R-406a, R-500, R-401a, R-409a, R-401b, R-412a, R411a, R-407d, R-22, R-411b, R-502, R-407c, R-402b, R-408a, R-509, R-407a, R-404a, R-402a, R-507, R-407B, R-410a



Available Kits and Accessories:

KTG142-Piston Seal Replacement Kit.

KTG166-Compressor Rebuild Kit (seals, valve plates, valves, o-rings, and valve springs for the G1Single compressor).

About Appion Inc.:

Appion is Star Performance. We never stop challenging ourselves to develop smaller, lighter, easier, better and less expensive ways to help HVAC/R technicians perform their everyday tasks.

The products from Appion are made from decades of manufacturing experience and always with the needs of the HVAC/R technician in mind. Appion Inc. is founded by the same founder of Global Energy Engineering, and Promax (NYSE: SPW). The latter, a company many technicians are acquainted with.

Technicians know that we design our products for the best performance and ease of maintenance. Our commitment is to serve our customers well by providing the most innovative, user-friendly tools and equipment the HVAC/R market has to offer.

Good equipment design and manufacturing is just the start. The rest of the equation requires commitment to customer satisfaction from the distributor to the end user that goes beyond expectations.

Manufacturing Headquarters:

Appion Inc.
1930 South Navajo St.
Denver, CO 80223 USA
Phone: 303-937-1580
Fax: 303-937-1599
www.AppionInc.com
sales@AppionInc.com

Available Locally At:

