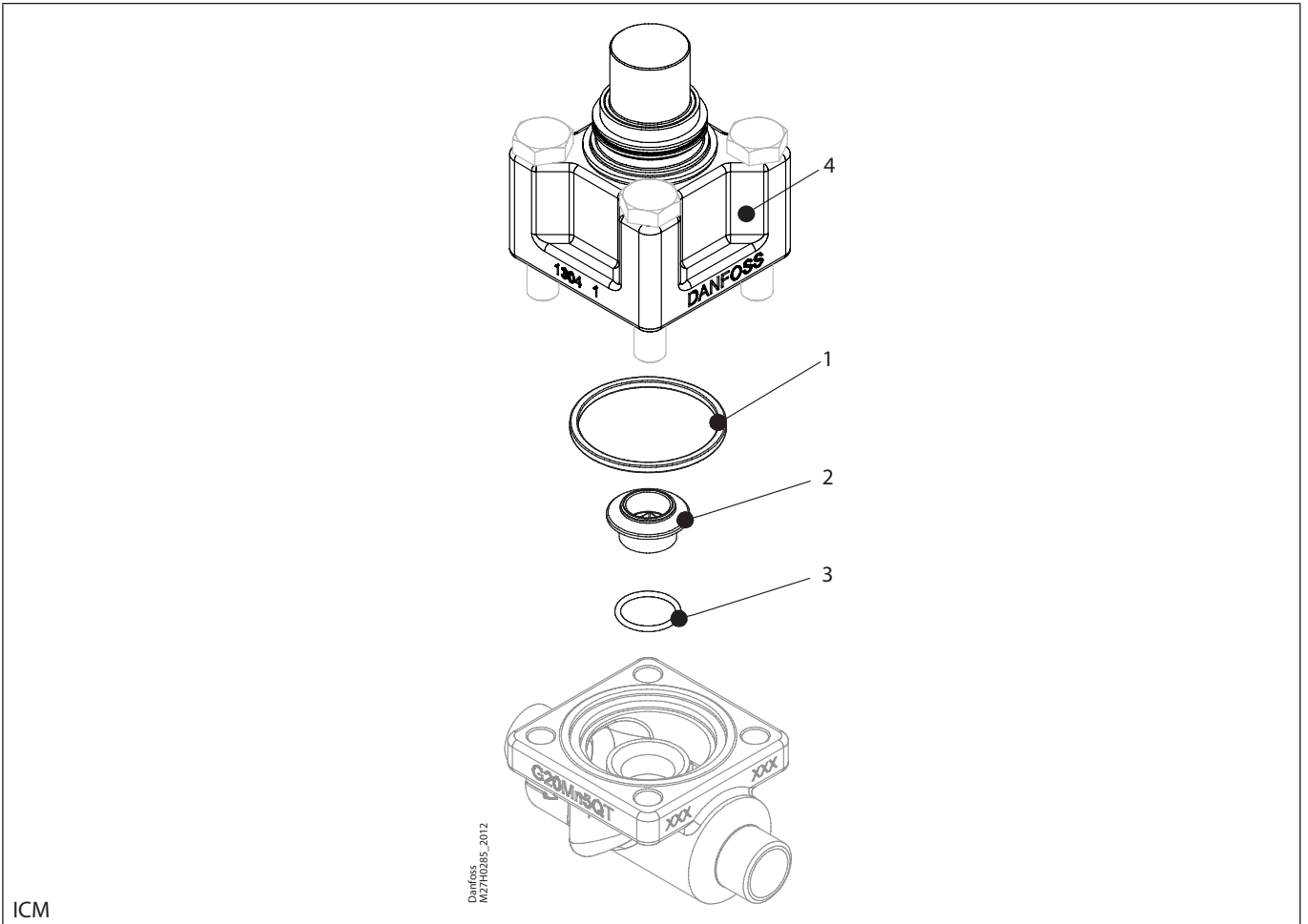


Installation guide – Spare parts and accessories

Overhaul kit | Code number 027H1186
 ICM, size 20A-33



ICM

<p>1</p> <p>Total no. = 1</p>	<p>2</p> <p>Total no. = 1</p>	<p>3</p> <p>Total no. = 1</p>	<p>4</p> <p>Total no. = 1</p>
--------------------------------------	--------------------------------------	--------------------------------------	--------------------------------------