

SMTZ Hermetic Condensing Unit



- Quiet and efficient Danfoss MTZ compressors
 - Large condenser with coil coating for longevity
 - Optional heavy gauge aluminium cover and legs available
- Standard equipment**
- Oil separator
 - Suction Accumulator
 - Suction Filter
 - EC fans for stable condensing
 - Drier and sightglass
 - Liquid Line solenoid valve
 - High Pressure Safety Switch
 - Low pressure adjustable Switch
 - Fully wired
 - Built and certified to NZ standards

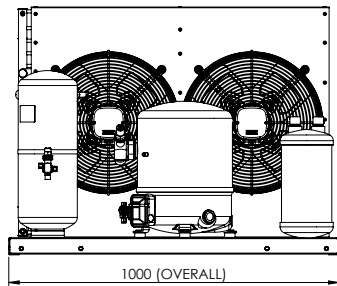
SMTZ MEDIUM

4 13.5 hp

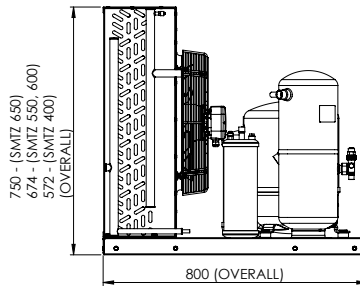
CAPACITY (kW) @ 40 SCT

Model	HP	Refrigerant	Evaporating Temp °C					
			-20	-15	-10	-5	0	5
SMTZ400	4	R449A	3.1	4.3	5.8	7.6	9.7	12.2
		R404A	4	5.4	7	9	11.4	14.1
		R454C	2.7	3.6	4.9	6.4	8.2	10.4
SMTZ550	5.5	R449A	4	5.6	7.4	9.6	12.2	15.3
		R404A	5.1	6.9	9	11.5	14.4	17.9
		R454C	3.4	4.5	6	7.8	10.1	13.1
SMTZ600	6	R449A	4.6	6.4	8.5	11.1	14.1	17.6
		R404A	5.8	7.7	10	12.7	16	19.7
		R454C	3.9	5.3	7.1	9.3	11.9	14.9
SMTZ650	6.5	R449A	5.8	7.8	10.1	12.9	16.2	20
		R404A	7	9.1	11.7	14.6	18.1	22.1
		R454C	4.6	6.3	8.3	10.7	13.6	16.9
SMTZ850	8.5	R449A	6.2	8.6	11.5	14.9	19.1	24
		R404A	7.9	10.6	13.7	17.4	21.8	26.8
		R454C	5.5	7.6	10.1	13.1	16.6	20.6
SMTZ1000	10	R449A	8.4	11.5	15.4	20.1	25.7	32.3
		R404A	10.3	13.6	17.6	22.3	28	34.4
		R454C	7.4	10	13.1	16.9	21.4	26.7
SMTZ1200	10	R449A	10.4	13.8	17.8	22.6	28.1	34.7
		R404A	12.4	16.2	20.6	25.9	32	39.1
		R454C	8.9	11.9	15.2	19.4	24.1	28.9
SMTZ1350	13.5	R449A	11.9	15.8	20.4	25.9	32.3	39.7
		R404A	13.6	17.7	22.6	28.4	35	42.8
		R454C	9.8	13.1	17	21.6	27	33.4

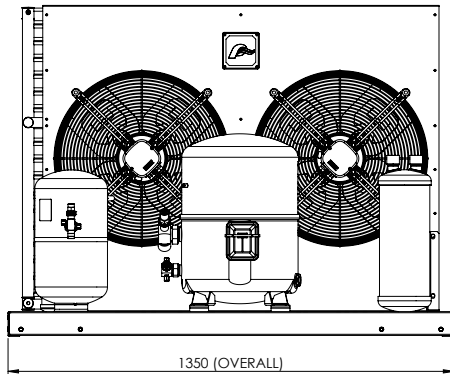
DIMENSIONS



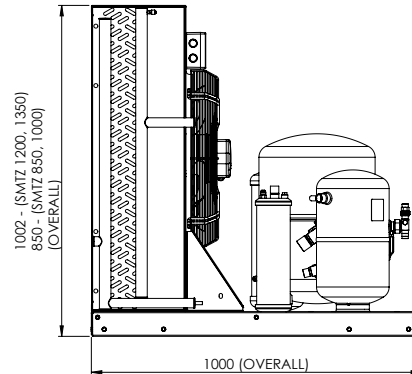
FRONT ELEVATION



SIDE ELEVATION



FRONT ELEVATION



SIDE ELEVATION

NTS (mm)
MC = Mounting Centres
Accessories not shown

TECHNICAL DATA

Model	Compressor	Voltage	RLA	Fan Motor Size	Amp/Total	Receiver	Suction	Liquid	Weight
SMTZ400	MTZ050	380-420/3/50	12	2 x 350	1.9	6.2	3/4	1/2	114
SMTZ550	MTZ064	380-420/3/50	14	2 x 350	1.9	8.8	7/8	1/2	125
SMTZ600	MTZ072	380-420/3/50	18	2 x 400	4.9	8.8	7/8	1/2	141
SMTZ650	MTZ080	380-420/3/50	18.5	2 x 400	4.9	8.8	7/8	5/8	145
SMTZ850	MTZ100	380-420/3/50	22	2 x 500	5.8	10.4	1.1/8	5/8	203
SMTZ1000	MTZ125	380-420/3/50	27	2 x 500	5.8	10.4	1.3/8	5/8	218
SMTZ1200	MTZ144	380-420/3/50	30	2 x 500	5.8	10.4	1.3/8	5/8	278
SMTZ1350	MTZ160	380-420/3/50	36	2 x 500	5.8	10.4	1.3/8	5/8	295

NOTES:

- All fans are 230/1/50.
- R404A pump down capacity @ 80% full for 32° C liquid temp.
- Electrically complies to AS/NZS 3000 (Selected clauses).
- Unit suitable for listed A2L R454C, for other A2L suitability, please contact your local Patton Branch.
Follow flammable refrigerant regulations where A2L is used.

The company reserves the right to make specification changes without notice. NZ 03/11/2025