

PattonPak Scroll Condensing Units



Condensing Units



- Reliable and efficient Copeland Scroll Compressors.
- EC fans for additional energy savings and stable condensing.
- Supplied c/w compact HP safety & adjustable LP, Crankcase Heater, Oil Separator, Liquid Receiver, Liquid Line Drier & Sightglass, Suction Filter & Accumulator, Electrical box fully wired c/w Main Isolator in a ColorBond housing.
- All condenser coils supplied with "Patton Coat" fin and coil protective coating.

PZB SCROLL 325 - 600



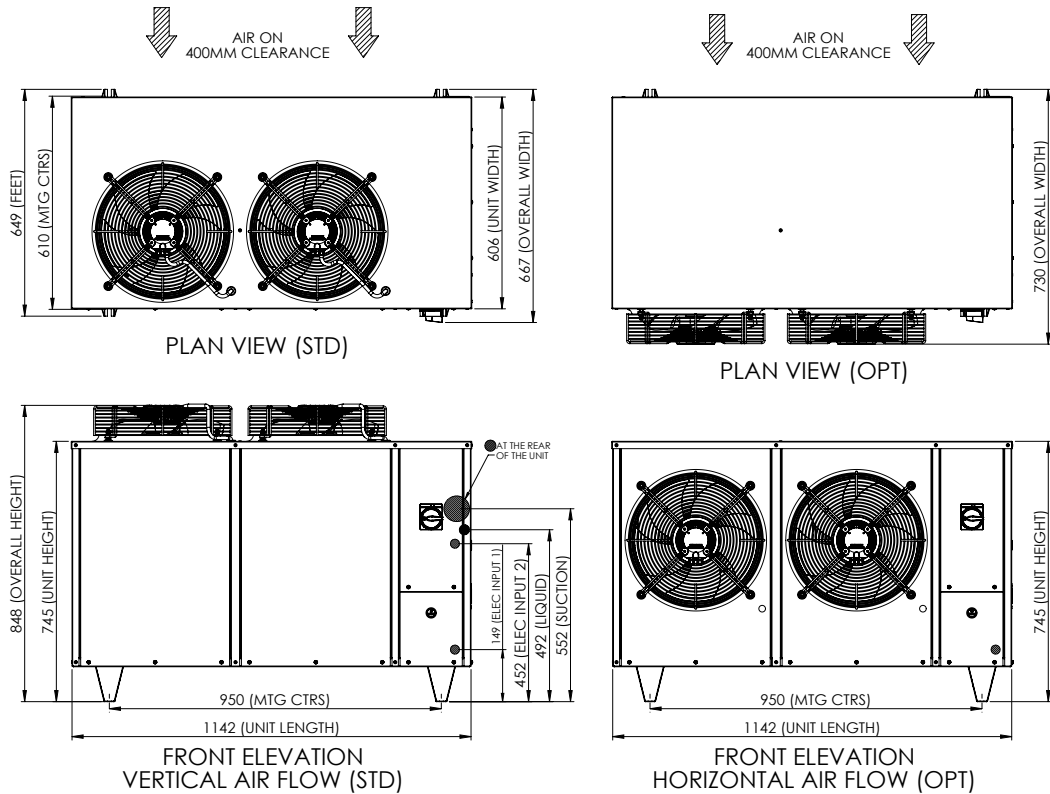
COPELAND™

CAPACITY (kW) @ 32°C Ambient

Model	Nom. hp	Refrigerant	Evaporating Temp °C							
			-20	-15	-10	-5	0	5	10	15
PZB325	3.3	R134a	-	-	3.40	4.20	5.25	6.25	7.40	8.80
		R404A	3.99	4.81	5.73	6.77	7.80	9.09	-	-
		R449A	3.45	4.34	5.30	6.42	7.68	9.02	-	-
PZB350	3.5	R134a	-	-	4.00	5.00	5.90	7.20	8.45	10.00
		R404A	4.40	5.29	6.30	7.44	8.58	9.98	-	-
		R449A	4.20	4.97	6.08	7.26	8.60	10.09	-	-
PZB400	4.0	R134a	-	-	4.60	5.90	7.00	8.30	9.90	11.00
		R404A	5.06	6.17	7.28	8.63	9.95	11.34	-	-
		R449A	4.77	5.62	6.74	8.10	9.55	11.14	-	-
PZB500	5.0	R134a	-	-	5.20	6.65	8.50	10.10	12.11	14.35
		R404A	6.12	7.49	9.03	10.56	12.15	13.87	-	-
		R449A	6.00	7.15	8.75	10.40	12.42	14.37	-	-
PZB600	6.0	R134a	-	-	6.60	8.20	10.10	12.20	14.60	17.00
		R404A	7.41	8.92	10.62	12.34	14.16	16.49	-	-
		R449A	7.19	8.37	10.26	12.19	14.35	16.85	-	-

R449A operating at -20, the suction superheat must be 10K (max. of 15K).
Compressor warranty is void outside these operating conditions.

DIMENSIONS



PZB325
PZB350
PZB400
PZB500
PZB600

NTS (mm)

TECHNICAL DATA

MODEL	COMPRESSOR					CONDENSER					RECEIVER	CONNECTIONS		Noise Level (dBA) (3)	Wgt (kg)
	Nom. hp	Model	Voltage	RLA Amps	LRA Amps	Model	Airflow (l/sec)	Fan Motors			Capacity (kg) (2)	Suction	Liquid		
								No. (1)	Tot. Watts	Tot. Amps					
PZB325	3.3	ZB21KQE-TFD	380-420/3/50	7.4	40.0	CPK350	1933	2 x 350	300	1.9	6.2	3/4"	1/2"	57	110
PZB350	3.5	ZB26KQE-TFD	380-420/3/50	6.4	46.0	CPK350	1933	2 x 350	300	1.9	6.2	3/4"	1/2"	57	112
PZB400	4.0	ZB29KQE-TFD	380-420/3/50	10.0	50.0	CPK450	1859	2 x 350	300	1.9	6.2	3/4"	1/2"	57	114
PZB500	5.0	ZB38KQE-TFD	380-420/3/50	12.8	65.5	CPK500	1787	2 x 350	300	1.9	8.8	7/8"	1/2"	58	122
PZB600	6.0	ZB45KCE-TFD	380-420/3/50	13.1	74.0	CPK600	1654	2 x 350	300	1.9	8.8	7/8"	1/2"	58	125

NOTES:

- All fans are EC 220-240/1/50.
- R404A pump down capacity @ 80% full for 32° C liquid temp.
- All noise level ratings are "free field" based at a distance of 3.0 mtrs from source and are given as a guide only.
- Electrically complies to AS/NZS 60335.2.89 : 2002 + A1-A3 (Selected clauses).

The company reserves the right to make specification changes without notice. NZ 13/04/2021

Condensing Units



- Reliable and efficient Copeland Scroll Compressors.
- EC fans for additional energy savings and stable condensing.
- Supplied c/w compact HP safety & adjustable LP, Crankcase Heater, Oil Separator, Liquid Receiver, Liquid Line Drier & Sightglass, Suction Filter & Accumulator, Electrical box fully wired c/w Main Isolator in a ColorBond housing.
- All condenser coils supplied with "Patton Coat" fin and coil protective coating.

PZB SCROLL 650 - 1500



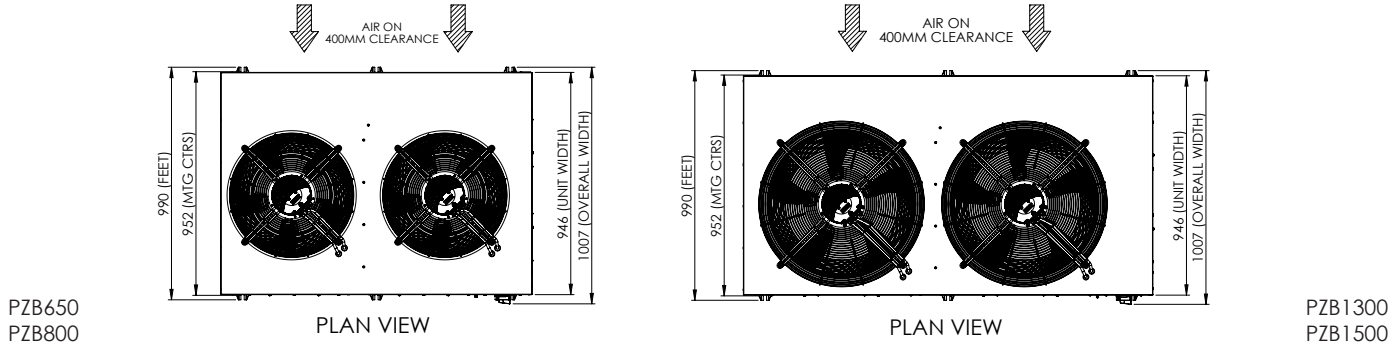
COPELAND™

CAPACITY (kW) @ 32°C Ambient

Model	Nom. hp	Refrigerant	Evaporating Temp °C							
			-20	-15	-10	-5	0	5	10	15
PZB650	6.5	R134a	-	-	7.34	9.06	10.92	13.20	15.62	18.21
		R404A	9.00	10.83	12.90	15.25	17.90	20.50	-	-
		R449A	8.51	10.04	12.29	14.76	17.61	20.67	-	-
PZB800	8.0	R134a	-	-	8.08	9.93	12.01	14.49	17.39	21.21
		R404A	10.22	12.43	14.59	17.18	20.07	22.93	-	-
		R449A	9.63	11.52	14.03	16.64	19.78	23.13	-	-
PZB900	9.0	R134a	-	-	9.68	11.98	14.76	17.87	21.27	24.01
		R404A	11.94	14.39	17.14	19.85	23.22	26.52	-	-
		R449A	10.86	13.46	15.71	19.02	22.40	26.21	-	-
PZB1000	10.0	R134a	-	-	11.23	13.89	17.05	20.48	24.61	28.08
		R404A	13.58	16.47	19.41	22.97	26.87	30.66	-	-
		R449A	12.84	15.66	18.31	21.89	26.21	30.62	-	-
PZB1300	13.0	R134a	-	-	13.77	17.07	20.96	25.15	29.89	34.99
		R404A	18.00	21.54	24.99	28.95	33.84	38.56	-	-
		R449A	15.79	19.58	22.75	27.50	32.40	38.21	-	-
PZB1500	15.0	R134a	-	-	16.08	20.05	24.41	29.35	35.21	41.51
		R404A	20.91	24.72	28.76	34.21	39.54	46.10	-	-
		R449A	18.55	23.15	27.13	32.62	38.76	46.10	-	-

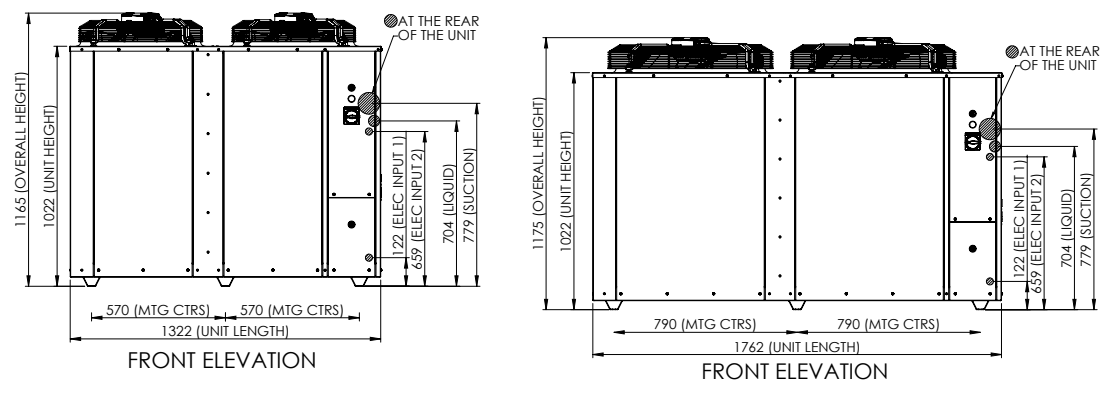
R449A operating at -20, the suction superheat must be 10K (max. of 15K). Compressor warranty is void outside these operating conditions.

DIMENSIONS



PZB650
PZB800
PZB900
PZB1000

PZB1300
PZB1500



NTS (mm)

TECHNICAL DATA

MODEL	COMPRESSOR					CONDENSER					RECEIVER	CONNECTIONS		Noise Level (dBA) (3)	Wgt (kg)
	Nom. hp	Model	Voltage	RLA Amps	LRA Amps	Model	Airflow (l/sec)	Fan Motors			Capacity (kg) (2)	Suction	Liquid		
								No. (1)	Tot. Watts	Tot. Amps					
PZB650	6.5	ZB48KQE-TFD	380-420/3/50	13.6	101.0	CPK650	4320	2 x 500	1300	5.8	8.8	1-1/8"	5/8"	60	135
PZB800	8.0	ZB58KQE-TFD	380-420/3/50	16.4	95.0	CPK800	3927	2 x 500	1300	5.8	10.4	1-1/8"	5/8"	60	182
PZB900	9.0	ZB66KQE-TFD	380-420/3/50	17.5	111.0	CPK900	3750	2 x 500	1300	5.8	10.4	1-1/8"	5/8"	61	208
PZB1000	10.0	ZB76KQE-TFD	380-420/3/50	20.0	118.0	CPK1000	3582	2 x 500	1300	5.8	10.4	1-3/8"	5/8"	62	212
PZB1300	13.0	ZB95KQE-TFD	380-420/3/50	26.4	140.0	CPK1300	7050	2 x 630	1240	5.4	10.4	1-3/8"	5/8"	65	225
PZB1500	15.0	ZB114KQE-TFD	380-420/3/50	28.6	174.0	CPK1500	6730	2 x 630	1240	5.4	20.0	1-5/8"	7/8"	65	235

NOTES:

- All fans are EC 220-240/1/50.
- R404A pump down capacity @ 80% full for 32° C liquid temp.
- All noise level ratings are "free field" based at a distance of 3.0 mtrs from source and are given as a guide only.
- Electrically complies to AS/NZS 60335.2.89 : 2002 + A1-A3 (Selected clauses).

The company reserves the right to make specification changes without notice. NZ 13/04/2021

Condensing Units



- Reliable and efficient Copeland Scroll Compressors.
- EC fans for additional energy savings and stable condensing.
- Supplied c/w compact HP safety & adjustable LP, Crankcase Heater, Oil Separator, Liquid Receiver, Liquid Line Drier & Sightglass, Suction Filter & Accumulator, Electrical box fully wired c/w Main Isolator in a ColorBond housing.
- All condenser coils supplied with "Patton Coat" fin and coil protective coating.

PZBS SCROLL 200 - 550



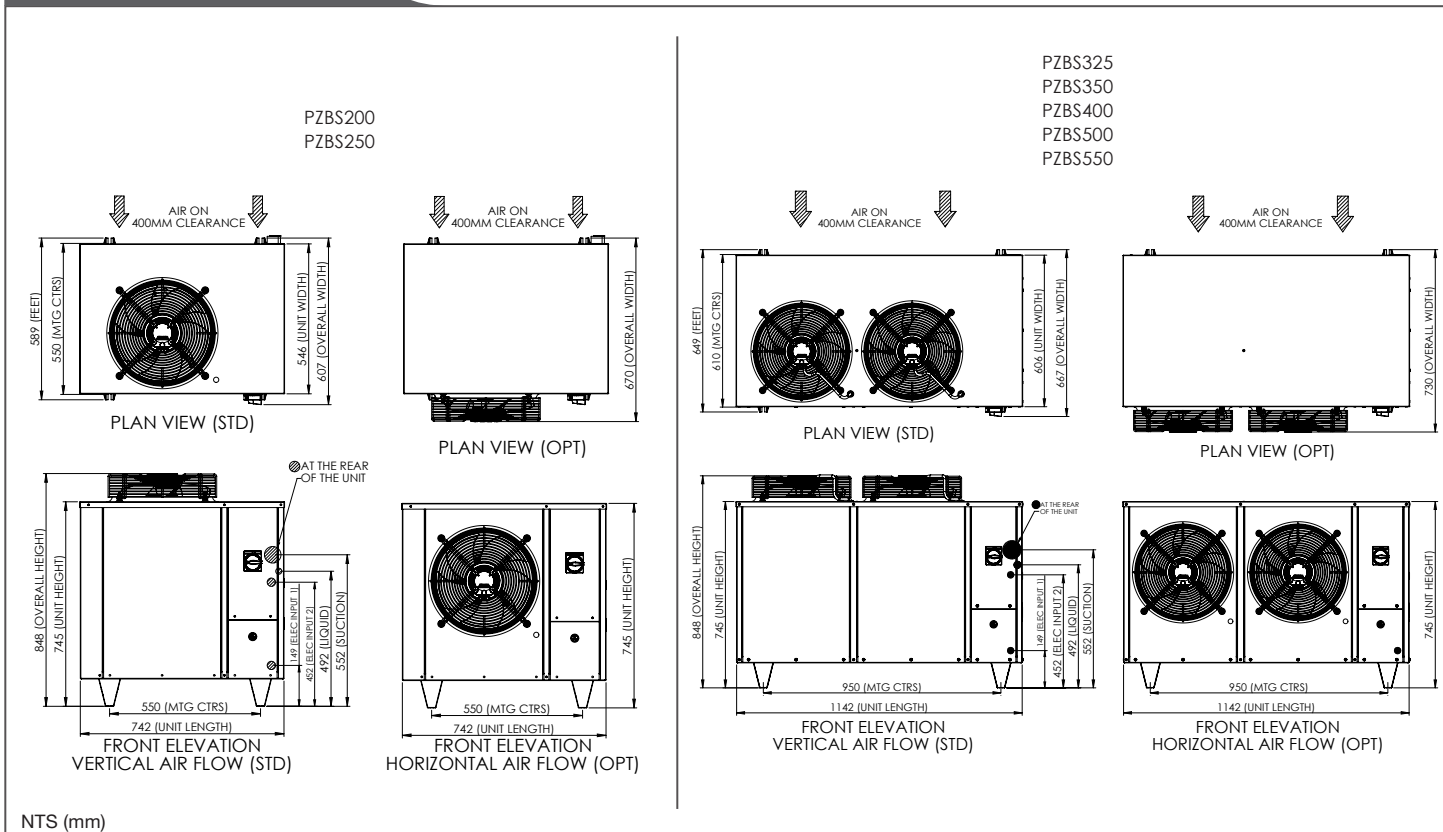
COPELAND™

CAPACITY (kW) @ 32°C Ambient

Model	Nom. hp	Refrigerant	Evaporating Temp °C							
			-20	-15	-10	-5	0	5	10	15
PZBS200	2.0	R134a	-	-	1.76	2.36	3.10	4.15	4.85	5.85
		R404A	2.65	3.19	3.80	4.41	5.16	5.87	-	-
		R449A	2.40	2.82	3.47	4.16	5.02	5.90	-	-
PZBS250	2.5	R134a	-	-	2.34	2.95	3.60	4.40	5.40	6.40
		R404A	3.08	3.70	4.41	5.12	6.00	6.86	-	-
		R449A	2.79	3.30	4.05	4.90	5.80	6.82	-	-
PZBS325	3.3	R134a	-	-	3.40	4.20	5.25	6.25	7.40	8.80
		R404A	3.99	4.81	5.73	6.77	7.80	9.09	-	-
		R449A	3.45	4.34	5.30	6.42	7.68	9.02	-	-
PZBS350	3.5	R134a	-	-	4.00	5.00	5.90	7.20	8.45	10.00
		R404A	4.40	5.29	6.30	7.44	8.58	9.98	-	-
		R449A	4.20	4.97	6.08	7.26	8.60	10.09	-	-
PZBS400	4.0	R134a	-	-	4.60	5.90	7.00	8.30	9.90	11.00
		R404A	5.06	6.17	7.28	8.63	9.95	11.34	-	-
		R449A	4.77	5.62	6.74	8.10	9.55	11.14	-	-
PZBS500	5.0	R134a	-	-	5.20	6.65	8.50	10.10	12.11	14.35
		R404A	6.12	7.49	9.03	10.56	12.15	13.87	-	-
		R449A	6.00	7.15	8.75	10.40	12.42	14.37	-	-
PZBS550	5.5	R134a	-	-	5.50	7.00	8.85	10.48	12.56	15.00
		R404A	7.13	8.58	10.22	12.05	13.87	15.84	-	-
		R449A	6.62	8.18	9.87	11.89	13.99	16.41	-	-

R449A operating at -20, the suction superheat must be 10K (max. of 15K). Compressor warranty is void outside these operating conditions.

DIMENSIONS



TECHNICAL DATA

MODEL	COMPRESSOR					CONDENSER					RECEIVER	CONNECTIONS		Noise Level (dBA) (3)	Wgt (kg)
	Nom. hp	Model	Voltage	RLA Amps	LRA Amps	Model	Airflow (l/sec)	Fan Motors			Capacity (kg) (2)	Suction	Liquid		
								No. (1)	Tot. Watts	Tot. Amps					
PZBS200	2.0	ZB15KQE-PFJ	220-240/1/50	12.8	58.0	CPK230	969	1 x 350	150	1.0	3.7	3/4"	3/8"	56	85
PZBS250	2.5	ZB19KQE-PFJ	220-240/1/50	12.8	61.0	CPK250	931	1 x 350	150	1.0	3.7	3/4"	3/8"	56	85
PZBS325	3.3	ZB21KQE-PFJ	220-240/1/50	13.8	82.0	CPK350	1933	2 x 350	300	1.9	6.2	3/4"	1/2"	57	110
PZBS350	3.5	ZB26KQE-PFJ	220-240/1/50	20.0	97.0	CPK350	1933	2 x 350	300	1.9	6.2	3/4"	1/2"	57	112
PZBS400	4.0	ZB29KQE-PFJ	220-240/1/50	23.5	114.0	CPK450	1859	2 x 350	300	1.9	6.2	3/4"	1/2"	57	114
PZBS500	5.0	ZB38KQE-PFJ	220-240/1/50	23.3	142.0	CPK500	1787	2 x 350	300	1.9	8.8	7/8"	1/2"	58	122
PZBS550	5.5	ZB42KQE-PFJ	220-240/1/50	29.8	150.0	CPK600	1654	2 x 350	300	1.9	8.8	7/8"	1/2"	58	125

NOTES:

- All fans are EC 220-240/1/50.
- R404A pump down capacity @ 80% full for 32° C liquid temp.
- All noise level ratings are "free field" based at a distance of 3.0 mtrs from source and are given as a guide only.
- Electrically complies to AS/NZS 60335.2.89 : 2002 + A1-A3 (Selected clauses).

The company reserves the right to make specification changes without notice. NZ: 13/04/2021

Condensing Units



- Reliable and efficient Copeland Scroll Compressors.
- EC fans for additional energy savings and stable condensing.
- Supplied c/w compact HP safety & adjustable LP, Crankcase Heater, Oil Separator, Liquid Receiver, Liquid Line Drier & Sightglass, Suction Filter & Accumulator, Electrical box fully wired c/w Main Isolator in a ColorBond housing.
- DTC valves standard fitment
- All condenser coils supplied with "Patton Coat" fin and coil protective coating.

PZF SCROLL 300 - 1500



COPELAND™

CAPACITY (kW) @ 32°C Ambient

Model	Nom. hp	Refrigerant	Evaporating Temp °C									
			-40	-35	-30	-25	-20	-15	-10	-5	0	5
PZF300	3.0	R404A	1.44	1.85	2.30	2.76	3.45	4.05	4.90	5.75	6.85	7.95
		R449A	1.45	1.86	2.36	2.93	3.61	4.38	5.25	6.16	-	-
PZF350	3.5	R404A	1.85	2.25	2.82	3.48	4.23	5.00	5.91	7.01	8.14	9.16
		R449A	1.81	2.33	2.94	3.62	4.41	5.32	6.29	7.48	-	-
PZF400	4.0	R404A	2.24	2.78	3.41	4.16	5.02	6.03	7.15	8.30	9.78	11.20
		R449A	2.04	2.64	3.34	4.21	5.16	6.17	7.39	8.66	-	-
PZF500	5.0	R404A	2.69	3.45	4.22	5.19	6.29	7.49	8.90	10.30	11.88	13.82
		R449A	2.51	3.22	4.10	5.09	6.22	7.44	8.91	10.46	-	-
PZF600	6.0	R404A	3.19	4.12	5.09	6.15	7.46	8.94	10.45	12.40	14.35	16.31
		R449A	2.94	3.82	4.88	6.04	7.36	8.79	10.52	12.34	-	-
PZF750	7.5	R404A	4.25	5.37	6.62	8.02	9.61	11.39	13.21	15.45	17.65	20.06
		R449A	3.92	5.00	6.33	7.84	9.61	11.67	14.04	16.59	-	-
PZF1000	10.0	R404A	5.46	7.38	9.21	11.21	13.39	15.56	18.27	21.02	24.05	27.48
		R449A	5.03	6.50	8.29	10.32	12.63	15.32	18.20	21.64	-	-
PZF1300	13.0	R404A	7.04	9.05	11.38	13.62	16.27	19.25	22.25	25.97	29.60	33.61
		R449A	6.22	7.95	10.09	12.52	15.33	18.54	21.93	26.03	-	-
PZF1500	15.0	R404A	8.23	10.23	12.59	15.33	18.45	21.66	25.59	29.47	33.65	37.34
		R449A	7.62	9.84	12.36	15.36	18.87	22.89	27.54	32.42	-	-

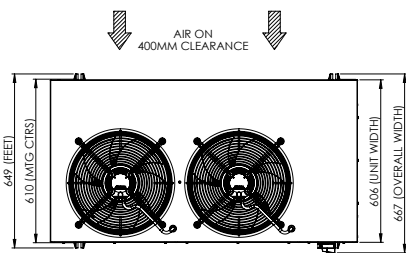
Liquid Injection Required.

DIMENSIONS

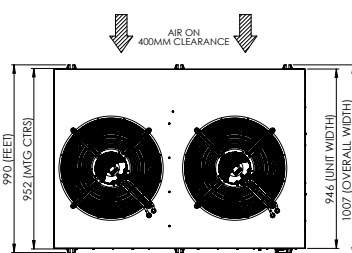
PZF300
PZF350
PZF400
PZF500
PZF600

PZF750
PZF1000

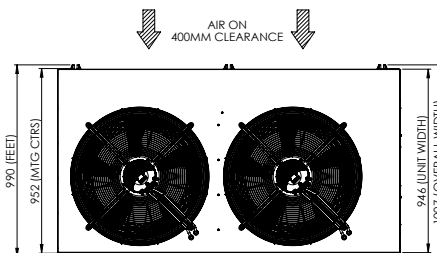
PZF1300
PZF1500



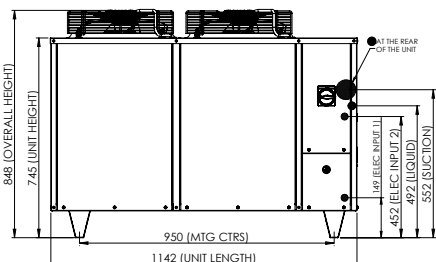
PLAN VIEW (STD)



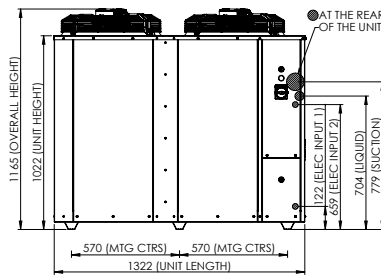
PLAN VIEW



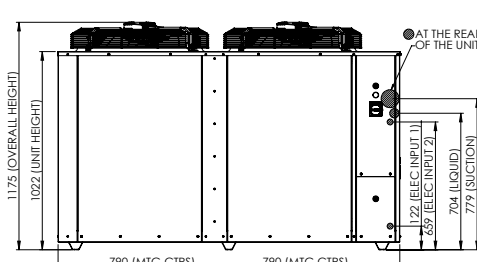
PLAN VIEW



FRONT ELEVATION
VERTICAL AIR FLOW (STD)



FRONT ELEVATION



FRONT ELEVATION

NTS (mm)

TECHNICAL DATA

MODEL	COMPRESSOR (1)					CONDENSER					RECEIVER	CONNECTIONS		Noise Level (dBA) (4)	Wgt (kg)
	Nom. hp	Model	Voltage	RLA Amps	LRA Amps	Models	Airflow (l/sec)	Fan Motors			Capacity (kg) (3)	Suction	Liquid		
								No. (2)	Tot. Watts	Tot. Amps					
PZF300	3.0	ZF09KQE-TFD	380-420/3/50	6.0	40.0	CPK350	1933	2 x 350	300	1.9	6.2	3/4"	1/2"	60	117
PZF350	3.5	ZF11KQE-TFD	380-420/3/50	7.1	46.0	CPK350	1933	2 x 350	300	1.9	6.2	7/8"	1/2"	60	119
PZF400	4.0	ZF13KQE-TFD	380-420/3/50	8.0	51.5	CPK450	1859	2 x 350	300	1.9	6.2	7/8"	1/2"	60	128
PZF500	5.0	ZF15KQE-TFD	380-420/3/50	10.0	64.0	CPK500	1787	2 x 350	300	1.9	8.8	7/8"	1/2"	61	130
PZF600	6.0	ZF18KQE-TFD	380-420/3/50	12.5	74.0	CPK600	1719	2 x 350	300	1.9	8.8	7/8"	1/2"	61	134
PZF750	7.5	ZF25KQE-TFD	380-420/3/50	13.7	102.0	CPK800	3927	2 x 500	1300	5.8	10.4	1-1/8"	5/8"	62	182
PZF1000	10.0	ZF34KQE-TFD	380-420/3/50	25.0	100.0	CPK1000	3582	2 x 500	1300	5.8	10.4	1-3/8"	5/8"	62	208
PZF1300	13.0	ZF41KQE-TFD	380-420/3/50	29.0	118.0	CPK1300	7050	2 x 630	1240	5.4	10.4	1-3/8"	5/8"	65	225
PZF1500	15.0	ZF49KQE-TFD	380-420/3/50	30.0	139.0	CPK1500	6730	2 x 630	1240	5.4	20.0	1-5/8"	7/8"	65	235

NOTES:

- ZF compressors must be used with liquid injection kit (-Q accessory) for application within the shaded zone (refer capacity).
- All fans are EC 220-240/1/50.
- R404A pump down capacity @ 80% full for 32° C liquid temp.
- All noise level ratings are "free field" based at a distance of 3.0 mtrs from source and are given as a guide only.
- Electrically complies to AS/NZS 60335.2.89 : 2002 + A1-A3 (Selected clauses).

PATTON



The company reserves the right to make specification changes without notice. 13/04/2021



www.pattonnz.com