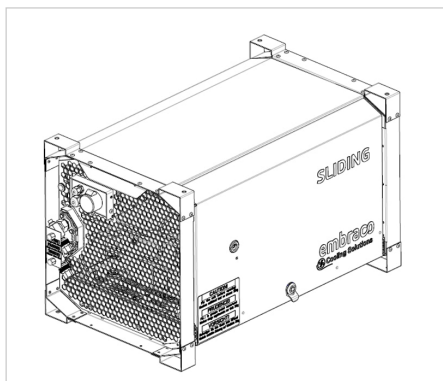


MODEL

UDNEU6212GKEAE00

embraco
Nidec





APPROVALS



 **ENGINEERING CODE**
667HA06C2FA

 **APPROVED REFRIGERANT**
R449A

 **POWER SUPPLY**
220 - 240V 50Hz ~

 **STANDARD CONDITIONS**
EN13215_SH10

 **APPLICATION**
M/HBP

 **COOLING CAPACITY**
637 W

 **EFFICIENCY**
1.44 W/W

DATA

General Data

Weight	75 Kg
Receiver	1.1 L
Height	484 mm
Length	865 mm
Width	483 mm
Power Supply	220 - 240 V 50 Hz

Electrical Data

Motor Type	CSIR
Locked Rotor Amperage (LRA)	19 A
Max Current	4 A

Spare Parts

Dryer	FILTER DRYER 6MM ODF	2730006
Sight Glass	SIGHT GLASS 6MM ODF	2464031
LP Pressostat	PS1-A3K	2466036
	JCI P215PR	2464088
HP Pressostat	P100CP-106D	2466034
Condenser	3R12T	2451226
Fan Kit	AXIAL FAN 230V/50HZ/1PH	1996726
Heater	CRANKCASE HEATER 230V/40W	2464205
Compressor	NEU6213GK	958HA51..AN
Electrical Kit	ELKOM NEU6213GK	958HA51N1A
Valve Suction	SOLDER 3/8"	2110136
Valve Discharge	SOLDER 1/4"	2110135
Flexi Hose	FLEXI HOSE 10MM ODF/8MM	2464325/2646324

Fan Motor

Number	1
Shaft Power	-
Air Flow	840 m ³ /h
Blade diameter	250 mm

PERFORMANCE

Rated Points

Ambient Temperature	Cooling Capacity	Power Consumption	Current	Efficiency
32.00°C	637 W	441 W	3.29 A	1.44 W/W

Test Condition EN13215_SH10: Evaporating temp. -10.00°C, Ambient temp. 32.00°C, Return Gas 0 °C, Subcooling 3K , Superheating 10K

Performance Curve Data

Ambient Temperature 25°C

Evaporating Temperature °C	Cooling Capacity W	Power Consumption W	Current A	Efficiency W/W
-20	454	361	2.98	1.26
-15	576	389	3.09	1.48
-10	713	420	3.21	1.7
-5	868	453	3.33	1.91
0	1044	491	3.44	2.13
5	1243	531	3.56	2.34
10	1467	574	3.68	2.56

Test Condition EN13215_SH10: Evaporating temp. -10.00°C, Ambient temp. 25.00°C, Return Gas 0 °C, Subcooling 3K , Superheating 10K

Ambient Temperature 32°C

Evaporating Temperature °C	Cooling Capacity W	Power Consumption W	Current A	Efficiency W/W
-20	384	389	3.12	0.99
-15	504	412	3.2	1.22
-10	637	441	3.29	1.44
-5	784	477	3.4	1.64
0	948	518	3.52	1.83
5	1132	566	3.66	2
10	1339	619	3.82	2.16

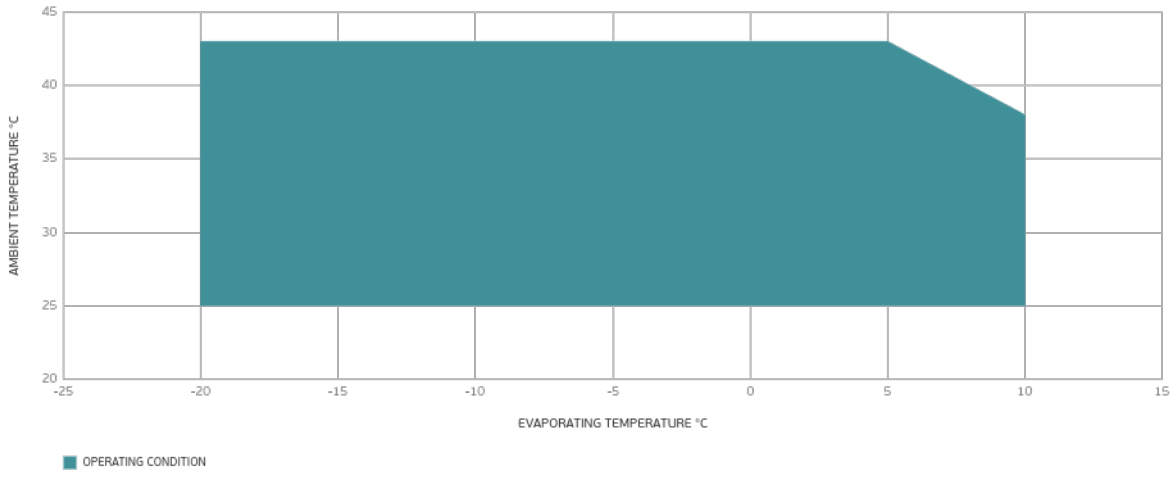
Test Condition EN13215_SH10: Evaporating temp. -10.00°C, Ambient temp. 32.00°C, Return Gas 0 °C, Subcooling 3K , Superheating 10K

Ambient Temperature 43°C

Evaporating Temperature °C	Cooling Capacity W	Power Consumption W	Current A	Efficiency W/W
-20	304	401	3.18	0.76
-15	421	423	3.25	0.99
-10	545	456	3.35	1.19
-5	679	500	3.5	1.36
0	826	554	3.69	1.49
5	987	619	3.92	1.59
10	1166	695	4.2	1.68

Test Condition EN13215_SH10: Evaporating temp. -10.00°C, Ambient temp. 43.00°C, Return Gas 0 °C, Subcooling 3K , Superheating 10K

Operating Envelope



External Dimensions

