

060R9774

060R9774

Media: R744(Carbon Dioxide/CO2)

TYPE	CONTACT SYSTEM	AC-15 (IEC60947-5-1)		INDUCTIVE CURRENT			
		CURRENT	VOLTAGE	FULL LOAD	INRUSH CURRENT	VOLTAGE	
CKB-2UC		SPDT	3 A	240 VAC	1 to 6 A	MAX 36 A	120/240 VAC

Manufacturing No.

Example: **X 1 3 1 9**

The last two number of Christian era
 Day
 Month (October, November, December are indicated by X, Y, Z, respectively)

Min/Max Temperature

Ambient

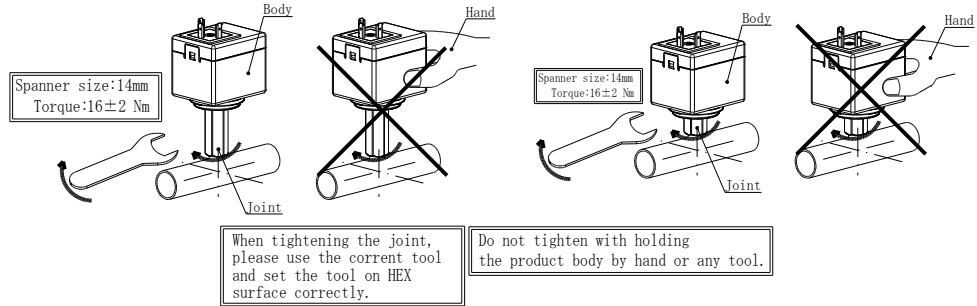
-40 → + 70 °C
-40 → + 158 °F

Media

-40 → + 150 °C
-40 → + 302 °F

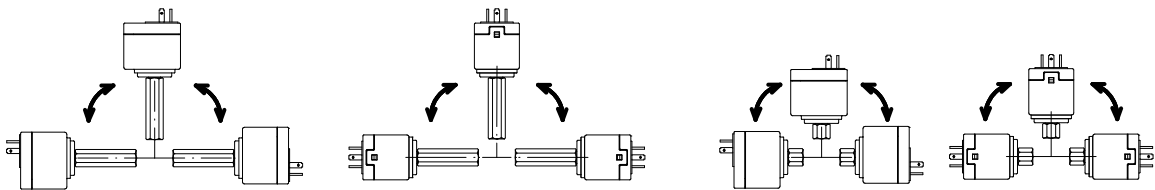
Installation

- Do not apply excessive load to the product.
- Do not hold the body while tightening the joint.

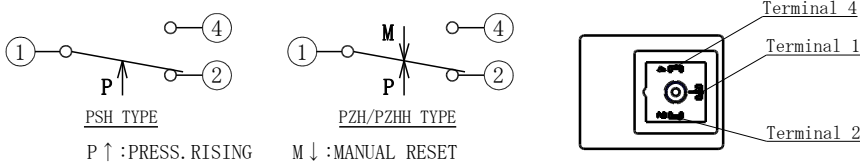


Mounting direction

Install the switch with electrical connector facing upward (±90°).



Contact system



Manual reset type (PZH/PZHH)

The manual reset type switch can be reset only when the pressure drops by 2.5 MPa or more from the OFF set pressure.

To reset the PZHH type, use a non-sharp tool with a diameter of $\phi 5$ mm or less.

Please make sure the reset button is pressed to the end of stroke when resetting the pressure switch of manual reset type.

