

Installation Guide

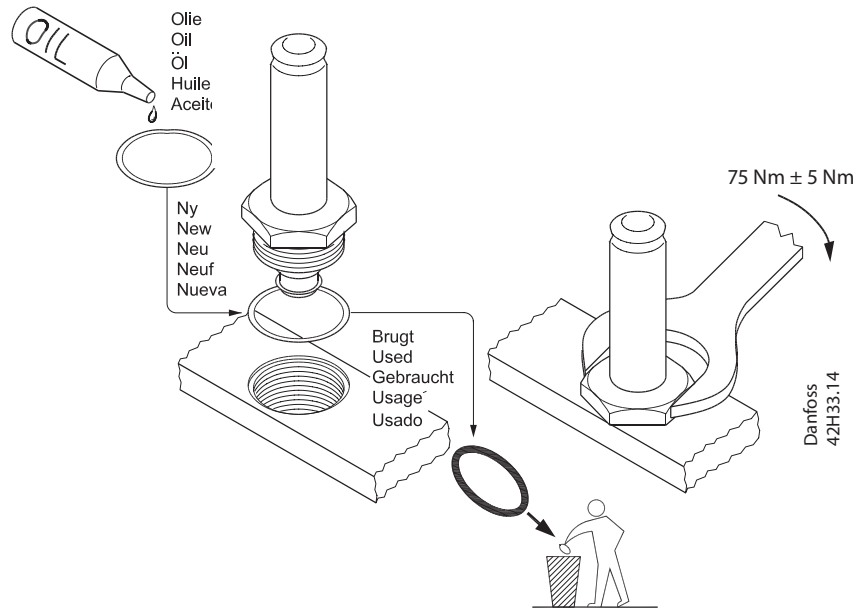
Electrically Operated Expansion Valve

Type AKV 20

068R9523

068R9523

<p>Refrigerants: R744, R22/R407C, R404A/R507, R410A, R134a, R407A, R23.</p> <p>⚠️ Note! AKV 20 are not suitable for R744 applications with media temperatures constantly below 0 °C, For other media temperatures, please contact Danfoss</p>	<p>Max. working pressure: PS/MWP = 28 barg (400 psig)</p> <p>Max. test pressure: Pe = 31 barg (260 psig)</p> <p>Max. differential pressure: MOPD = P₁ - P₂ = 20 bar (290 psi)</p>
<p>Ambient temperature range: t_{amb} Min. -40 °C (-40 °F) t_{amb} Max. 50 °C (120 °F)</p>	<p>Media temperatur range: t_{media} Min. -40 °C (-40 °F) t_{media} Max. 60 °C (140 °F)</p>
<p>Max. 150 °C (300 °F)</p> <p>Max. 700 °C (1300 °F)</p> <p>Min 5% Ag</p> <p>Danfoss AA2H95.11</p>	<p>⚠️ Warning Never switch on power to the coil when the coil is dismantled from the valve. Otherwise the coil may be damaged and there is risk of injuries and burns.</p>
<p>⚠️</p> <p>(en-gb) Do not insulate (da) Må ikke isoleres (de) Nicht isolieren (fr) Ne pas isoler (es) No encerrar para evitar condensación</p> <p>Danfoss AA2H95.12</p>	<p>On</p> <p>Off</p>
<p>Clip-on coil</p> <p>Danfoss A6B7303.11</p>	



EN	DA	DE	FR	ES
The gasket must be exchanged, if the valve is dismantled	Pakningen skal skiftes, hvis ventilen adskilles	Bei Zerlegung des Ventils muß die Dichtung ausgewechselt werden	Changer le joint chaque fois que la vanne est démontée	Es preciso cambiar la junta si se desmonta la válvula

