

APPROVALS



ENGINEERING CODE
943AG11

APPROVED REFRIGERANT
R-404A

POWER SUPPLY
115 V 60 Hz

STANDARD CONDITIONS
ASHRAE

APPLICATION
LBP

COOLING CAPACITY
1333 W

EFFICIENCY
1.32 W/W

MOTOR TYPE
CSCR

STARTING TORQUE
HST

DATA

General Data

Type	Hermetic reciprocating
Technology Type	On-Off
Displacement	26.1 cm ³
Compressor Cooling	Fan
Fan Air Flow	800 m ³ /h
Expansion Device	Capillary Tube or Expansion Valve
Horse Power	1 1/4 hp
Max Condensing Pressure Operating	24.71 bar
Max Condensing Pressure Peak	27.71 bar
Power Supply	115 V 60 Hz
Evaporating Temperature Range	-40 °C to -10 °C

Electrical Data

Motor type	CSCR
Starting Torque	HST
Start Winding Resistance	2.31 Ω at 25° C
Run Winding Resistance	0.32 Ω at 25° C
Locked Rotor Amperage (LRA)	98 A
Rated Load Amperage (RLA) at 60 Hz	15 A

Mechanical Data

Maximum Recommended Refrigerant Charge	800 g
Oil Charge	750 ml
Oil Type Configuration	Polyolester
Oil Type Viscosity	ISO22
Pressurization	Dry air charge
Weight	23 Kg
Free Internal Volume	3.9 L

Electrical Components

	Description
CSR / CSIR Box	yes
Starting Device	Potential relay RVA2AE3C-105
Motor Protection	Internal 15HM2442
Start Capacitor	400-480 μ F / 125V

External Characteristics

Base Plate	Large	
Tray Holder	No	
Height	276 mm	
Connector	Internal Diameter	Shape
Suction	12.77 mm	Vertical
Discharge	8 mm	Slanted 65°
Process	6.42 mm	Vertical

PERFORMANCE

Rated Points

Condensing Temperature	Evaporating Temperature	Cooling Capacity	Power Consumption	Current	Gas Flow Rate	Efficiency
54.40°C	-23.30°C	1333 W	1008 W	12.37 A	30.85 kg/h	1.32 W/W

Test Condition: ASHRAE, Fan, Return Gas 32.2°C, Evaporation -23.30°C, Condensing 54.40°C, Ambient 32.2°C, Liquid 32.2°C. Data in accordance to ASHRAE guideline polynomial curve.

Performance Curve Data

Condensing Temperature 35°C

Evaporating Temperature °C	Cooling Capacity W	Power W	Current A	Gas Flow Rate kg/h	Efficiency W/W
-40	379	635	9.45	8.72	0.6
-35	739	730	10.21	17.02	1.01
-30	1110	830	11.01	25.65	1.34
-25	1503	937	11.85	34.84	1.6
-20	1923	1051	12.74	44.82	1.83
-15	2381	1173	13.66	55.83	2.03
-10	2884	1304	14.63	68.08	2.21

Test Condition: ASHRAE, Fan, LBP. Data in accordance to ASHRAE guideline polynomial curve.

Condensing Temperature 45°C

Evaporating Temperature °C	Cooling Capacity W	Power W	Current A	Gas Flow Rate kg/h	Efficiency W/W
-35	677	664	9.87	15.57	1.02
-30	996	801	10.83	22.97	1.24
-25	1351	943	11.86	31.26	1.43
-20	1748	1090	12.98	40.66	1.6
-15	2197	1244	14.18	51.41	1.77
-10	2706	1405	15.46	63.74	1.93

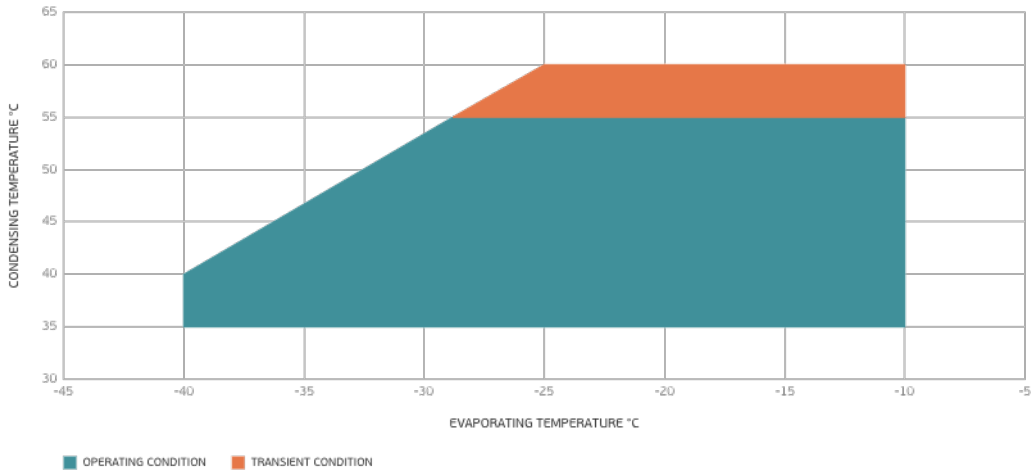
Test Condition: ASHRAE, Fan, LBP. Data in accordance to ASHRAE guideline polynomial curve.

Condensing Temperature 55°C

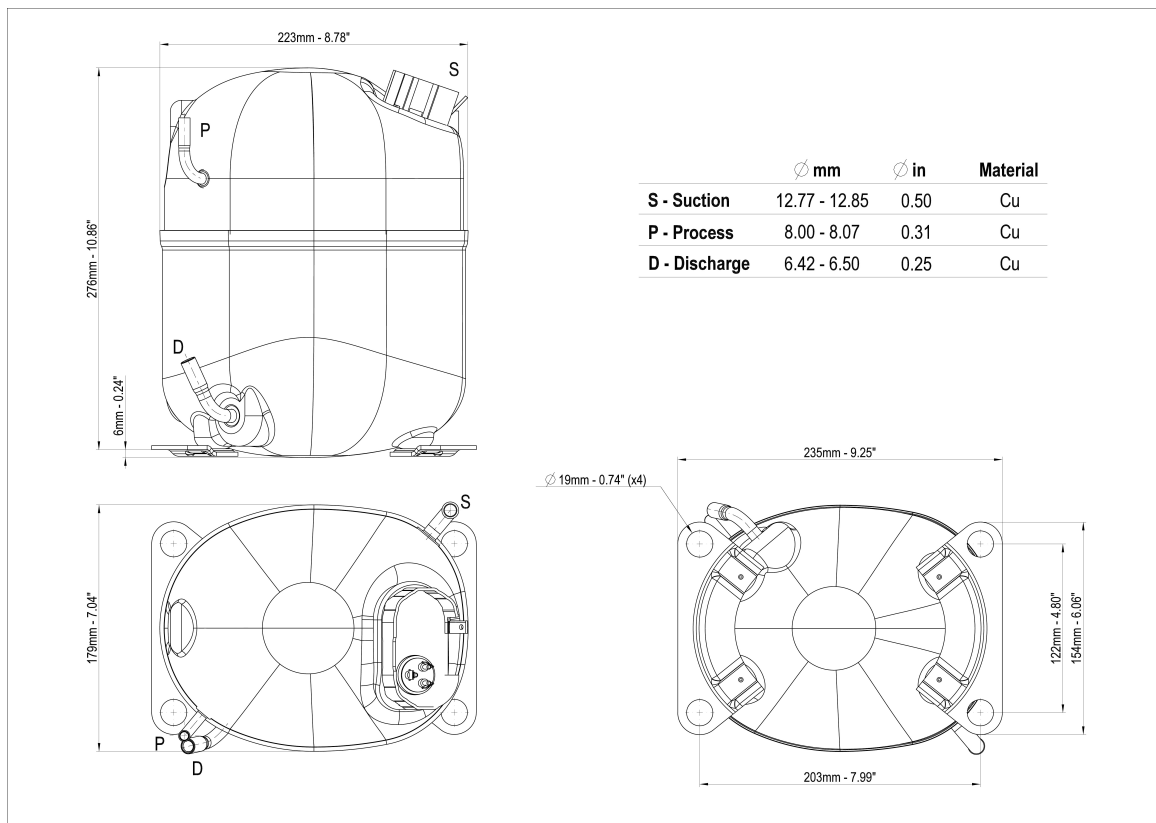
Evaporating Temperature °C	Cooling Capacity W	Power W	Current A	Gas Flow Rate kg/h	Efficiency W/W
-30	886	771	10.74	20.38	1.15
-25	1203	948	11.95	27.79	1.27
-20	1579	1129	13.27	36.65	1.4
-15	2020	1315	14.72	47.18	1.54
-10	2536	1507	16.29	59.62	1.68

Test Condition: ASHRAE, Fan, LBP. Data in accordance to ASHRAE guideline polynomial curve.

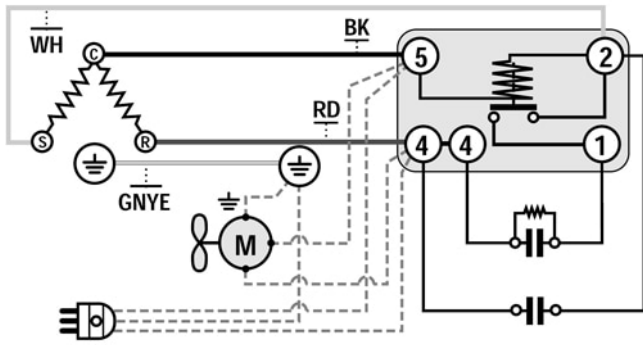
Operating Envelope



External Dimensions



Wiring Diagram



Assembly Instructions

