

Air Cooled Condensing Units



Air Cooled Condensing Units



- Reliable and efficient Copeland Semi-Hermetic compressors
- Generous wide finned, low noise level condensers supplied with protective coil coating
- Wide range of factory fitted accessories available
- Specifically designed for Australasian conditions

CH-CL SEMI-HERMETIC

45 60 hp

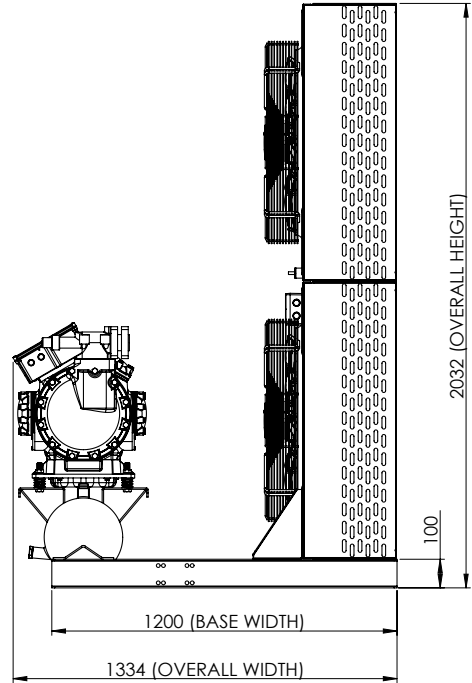
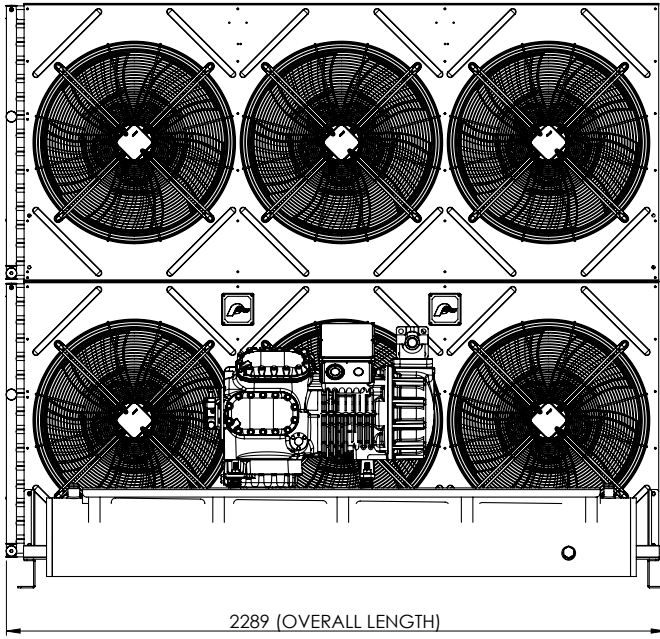
COPELAND™

CAPACITY (Watts) @ 32°C Ambient

MODEL	Nom. hp	Refrigerant	Evaporating Temp °C									
			-35	-30	-25	-20	-15	-10	-5	0	5	10
CL4500	45.0	R134a	-	-	-	42490	52550	64950	78480	94880	112100	131480
		R449A	-	-	51590	63240	77560	93860	110260	128110	-	-
		R404A	39540	47510	57940	70750	83700	97920	113530	-	-	-
CH6000	60.0	R134a	-	-	-	41040	51350	62830	77320	92900	110570	130360
		R449A	-	-	51430	62930	76970	92800	109040	128620	152490	-
		R404A	36540	46680	57940	71440	85070	99960	116080	131070	-	-

Head Fan Reqd.

DIMENSIONS



NTS (mm)

TECHNICAL DATA

MODEL	COMPRESSOR						CONDENSER			RECEIVER	CONNECTIONS		Noise Level (dbA) (3)	Wgt (kg)	
	Nom. hp	Model	Voltage	RLA Amps	LRA Amps	Model	Airflow (l/sec)	Fan Motor			Capacity (kg) (2)	Suction			Liquid
								No. (1)	Tot. Watts	Tot. Amps					
CL4500	45.0	8DT450X-AWM	380-420/3/50	90.7	441.0	NQ3000_2	11520	6 x 630	2884	13.2	90.5	3-1/8"	1-3/8"	75	800
CH6000	60.0	8DJ600X-AWM	380-420/3/50	108.0	476.0	NQ3000_2	11520	6 x 630	2884	13.2	90.5	3-1/8"	1-3/8"	76	885

NOTES:

- 630mm Cond Fans - 220-240/1/50
- R404A pump down capacity @ 80% full for 32° C liquid temp.
- All noise level ratings are "free field" based at a distance of 3.0 mtrs from source and are given as a guide only.

The company reserves the right to make specification changes without notice. NZ 03/09/2020

Air Cooled Condensing Units



- Reliable and efficient Copeland Semi-Hermetic Compressors.
- Generous wide finned, low noise condensers. Supplied with "Patton Coat" coil and fin protective coating.
- Wide range of factory fitted accessories available.
- Specifically designed for Australasian conditions.

CH-CN SEMI-HERMETIC 100 - 200



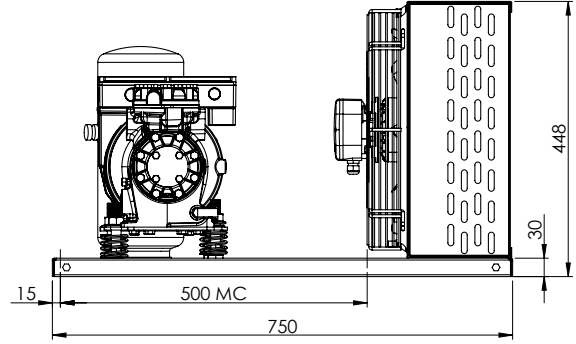
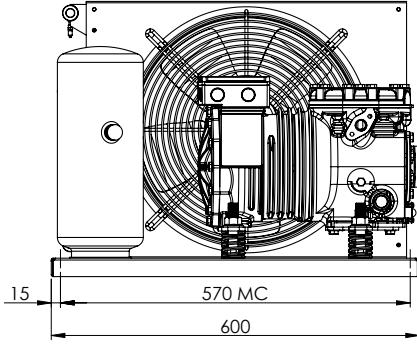
COPELAND™

CAPACITY (Watts) @ 32°C Ambient

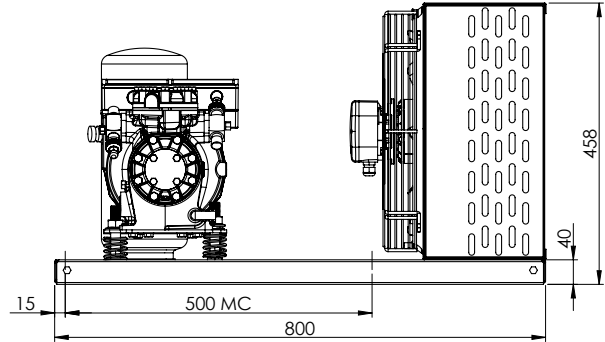
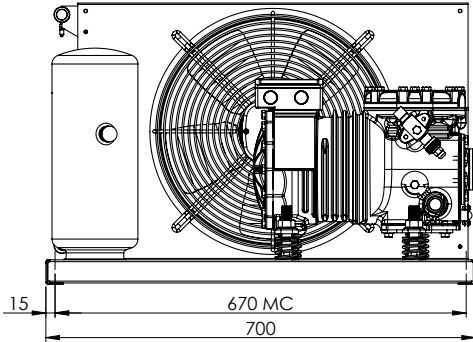
Model	Nom. hp	Refrigerant	Evaporating Temp °C									
			-35	-30	-25	-20	-15	-10	-5	0	5	10
CHS100	1.0	R449A	-	-	1370	1720	2170	2630	3140	3720	4250	-
		R404A	890	1160	1500	1880	2270	2760	3250	3760	4340	-
CH100	1.0	R449A	-	-	1370	1720	2170	2630	3140	3720	4250	-
		R404A	890	1160	1500	1880	2270	2760	3250	3760	4340	-
CHS150	1.5	R449A	-	-	1700	2120	2610	3150	3780	4470	5200	-
		R404A	1140	1480	1840	2300	2270	3280	3850	4480	5120	-
CH150	1.5	R449A	-	-	1700	2120	2610	3150	3780	4470	5200	-
		R404A	1140	1480	1840	2300	2270	3280	3850	4480	5120	-
CNS150	1.5	R134a	-	-	-	1460	1870	2340	2850	3430	4070	4800
		R449A	1270	1630	2010	2450	-	-	-	-	-	-
		R404A	1340	1720	2120	2580	-	-	-	-	-	-
CN150	1.5	R134a	-	-	-	1460	1870	2340	2850	3430	4070	4800
		R449A	1270	1630	2010	2450	-	-	-	-	-	-
		R404A	1340	1720	2120	2580	-	-	-	-	-	-
CH200	2.0	R134a	-	-	-	1730	2290	2900	3650	4450	5340	6320
		R449A	-	-	2310	2980	3750	4620	5490	6410	7810	-
		R404A	1380	1950	2550	3210	3960	4660	5550	6340	7730	-
CN200	2.0	R134a	-	-	-	2320	3040	3810	4700	5600	6590	7950
		R449A	1760	2390	3030	3580	-	-	-	-	-	-
		R404A	1780	2390	3060	3720	-	-	-	-	-	-

DIMENSIONS

CHS100
CH100
CHS150
CH150
CNS150
CN150



CH200
CN200



NTS (mm)

TECHNICAL DATA

MODEL	COMPRESSOR						CONDENSER			RECEIVER	CONNECTIONS		Noise Level (dba) (3)	Wgt (kg)	
	Nom. hp	Model	Voltage	RLA Amps	LRA Amps	Model	Airflow (l/sec)	Fan Motors			Capacity (kg) (2)	Suction			Liquid
								No. (1)	Tot. Watts	Tot. Amps					
CHS100	1.0	KL10X-CAG	220-240/1/50	7.1	32.4	NQ150	730	1 x 350	145	0.7	3.7	5/8"	1/2"	59	68
CH100	1.0	KJ10X-EWL	380-420/3/50	3.2	15.5	NQ150	730	1 x 350	145	0.7	3.7	5/8"	1/2"	59	67
CHS150	1.5	KSJ15X-CAG	220-240/1/50	9.0	43.0	NQ150	730	1 x 350	145	0.7	3.7	5/8"	1/2"	59	69
CH150	1.5	KSJ15X-EWL	380-420/3/50	3.4	20.4	NQ150	730	1 x 350	145	0.7	3.7	5/8"	1/2"	59	68
CNS150	1.5	KL15X-CAG	220-240/1/50	8.4	43.0	NQ150	730	1 x 350	145	0.7	3.7	5/8"	1/2"	59	68
CN150	1.5	KL15X-EWL	380-420/3/50	3.4	20.4	NQ150	730	1 x 350	145	0.7	3.7	5/8"	1/2"	59	67
CH200	2.0	LE20X-EWL	380-420/3/50	5.7	37.6	NQ200	980	1 x 350	145	0.7	3.7	7/8"	1/2"	59	115
CN200	2.0	LF20X-EWL	380-420/3/50	4.5	37.6	NQ200	980	1 x 350	145	0.7	3.7	7/8"	1/2"	59	115

NOTES:

- 350mm Cond Fans - 220-240/1/50
- R404A pump down capacity @ 80% full for 32° C liquid temp.
- All noise level ratings are "free field" based at a distance of 3.0 mtrs from source and are given as a guide only.

The company reserves the right to make specification changes without notice. NZ 03/09/2020

Air Cooled Condensing Units



- Reliable and efficient Copeland Semi-Hermetic Compressors.
- Generous wide finned, low noise condensers. Supplied with "Patton Coat" coil and fin protective coating.
- Wide range of factory fitted accessories available.
- Specifically designed for Australasian conditions.

CH-CN SEMI-HERMETIC 300 - 500

3 5 hp

COPELAND™

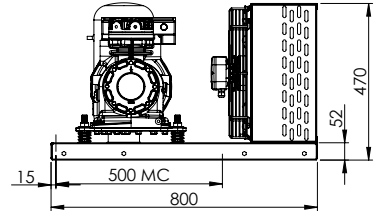
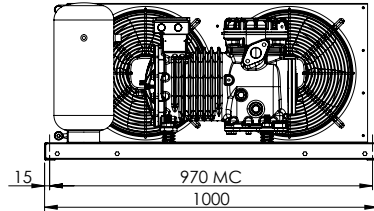
CAPACITY (Watts) @ 32°C Ambient

Model	Nom. hp	Refrigerant	Evaporating Temp °C									
			-35	-30	-25	-20	-15	-10	-5	0	5	10
CH300	3.0	R134a	-	-	-	2470	3220	4020	5030	6090	7290	8640
		R449A	-	-	3410	4300	5330	6490	7810	9100	10780	-
		R404A	2150	2900	3680	4650	5650	6750	7800	9100	-	-
CN300	3.0	R134a	-	-	-	3350	4390	5510	6690	8130	9600	11580
		R449A	2880	3860	4800	5850	-	-	-	-	-	-
		R404A	2950	3910	4870	6070	-	-	-	-	-	-
CH400	4.0	R134a	-	-	-	3490	4560	5710	7030	8540	10250	12160
		R449A	-	-	4690	5940	7390	9080	10820	12930	15720	-
		R404A	3050	4070	5160	6410	7820	9210	10980	12900	-	-
CN400	4.0	R134a	-	-	-	4500	5790	7180	8770	10400	12230	14720
		R449A	3770	4950	6090	7350	-	-	-	-	-	-
		R404A	3870	5020	6190	7630	-	-	-	-	-	-
CH500	5.0	R449A	-	3780	4890	6160	7730	9530	11370	13610	15860	-
		R404A	3240	4370	5570	7050	8590	10320	12190	14000	-	-
CNA500	5.0	R404A	4550	5650	7160	8860	10500	12290	15150	-	-	-
CN500	5.0	R134a	-	-	-	5590	7230	9110	11090	13500	15910	19180
		R449A	-	6080	7400	8950	10820	12880	15710	-	-	-
		R404A	5250	6330	7950	9780	11550	13410	16370	-	-	-

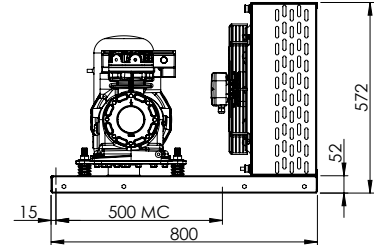
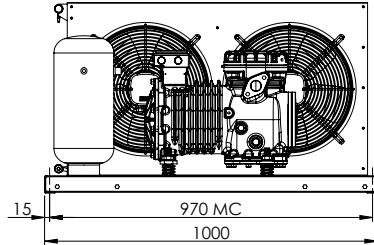
Head Fan Reqd.

DIMENSIONS

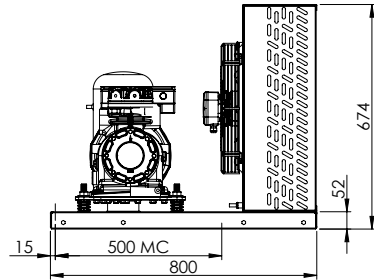
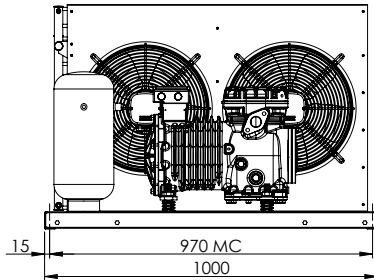
CH300
CN300



CH400
CN400



CH500
CNA500
CN500



NTS (mm)

TECHNICAL DATA

MODEL	COMPRESSOR					CONDENSER					RECEIVER	CONNECTIONS		Noise Level (dbA) (3)	Wgt (kg)
	Nom. hp	Model	Voltage	FLA Amps	LRA Amps	Model	Airflow l/sec	Fan Motors			Capacity (kg) (2)	Suction	Liquid		
								No. (1)	Tot. Watts	Tot. Amps					
CH300	3.0	LF30X-EWL	380-420/3/50	7.2	53.0	NQ300	1460	2 x 350	290	1.5	6.2	7/8"	1/2"	63	137
CN300	3.0	LL30X-EWL	380-420/3/50	7.3	53.0	NQ300	1460	2 x 350	290	1.5	6.2	1-1/8"	1/2"	63	142
CH400	4.0	LL40X-EWL	380-420/3/50	9.5	68.5	NQ400	1510	2 x 350	290	1.5	6.2	1-1/8"	1/2"	60	154
CN400	4.0	LSG40X-EWL	380-420/3/50	8.9	68.5	NQ400	1510	2 x 350	290	1.5	6.2	1-1/8"	1/2"	60	145
CH500	5.0	2DD50X-AWM	380-420/3/50	10.3	55.0	NQ500	1470	2 x 350	290	1.5	8.8	1-1/8"	5/8"	61	210
CNA500	5.0	2SC55X-EWL	380-420/3/50	13.1	74.1	NQ500	1470	2 x 350	290	1.5	8.8	1-1/8"	5/8"	62	170
CN500	5.0	2DB50X-AWM	380-420/3/50	13.4	55.0	NQ500	1470	2 x 350	290	1.5	8.8	1-3/8"	5/8"	62	210

NOTES:

- 350mm Cond Fans - 220-240/1/50
- R404A pump down capacity @ 80% full for 32° C liquid temp.
- All noise level ratings are "free field" based at a distance of 3.0 mtrs from source and are given as a guide only.

The company reserves the right to make specification changes without notice. NZ 03/09/2020

Air Cooled Condensing Units



- Reliable and efficient Copeland Semi-Hermetic Compressors.
- Generous wide finned, low noise condensers. Supplied with "Patton Coat" coil and fin protective coating.
- Wide range of factory fitted accessories available.
- Specifically designed for Australasian conditions.

CH-CN SEMI-HERMETIC 600 - 750

6 7.5 hp

COPELAND™

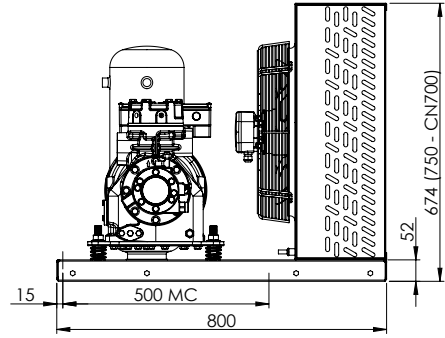
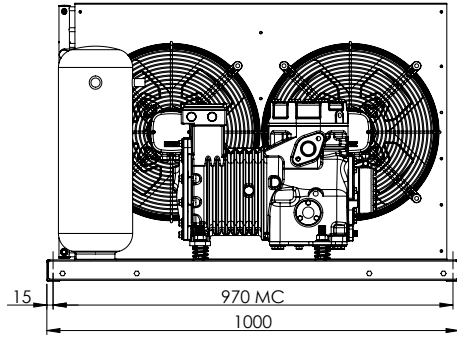
CAPACITY (Watts) @ 32°C Ambient

MODEL	Nom. hp	Refrigerant	Evaporating Temp °C									
			-35	-30	-25	-20	-15	-10	-5	0	5	10
CH600	6.0	R449A	-	-	6040	7570	9500	11760	14150	16800	20400	-
		R404A	4060	5360	6780	8600	10490	12650	14740	17330	-	-
CH700	7.0	R134a	-	-	-	5790	7580	9540	11950	14540	17440	20710
		R449A	-	-	7920	9760	12010	14600	17540	20510	24170	-
CN700	7.0	R404A	5410	6970	8620	10710	12850	15300	17940	20480	-	-
		R134a	-	-	-	6390	8320	10400	12790	15520	18600	21750
CH750	7.5	R449A	-	6910	8330	10030	12330	14950	-	-	-	-
		R404A	6380	7710	9460	11410	13570	15620	-	-	-	-
CN750	7.5	R134a	-	-	-	6610	8570	10710	13340	16200	19400	23050
		R449A	-	-	9200	11360	14060	17160	20290	24190	28560	-
		R404A	6030	7830	9860	12390	14980	17890	21100	24600	-	-
		R134a	-	-	-	8040	10200	12880	15790	19040	22750	26870
		R449A	-	8420	10300	12410	15210	18410	-	-	-	-
		R404A	7940	9440	11780	14160	16840	19750	-	-	-	-

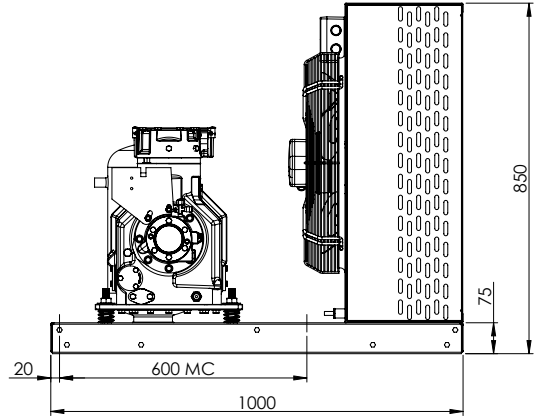
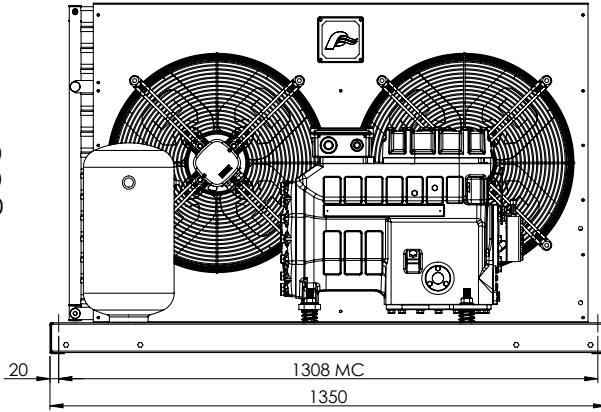
Head Fan Reqd.

DIMENSIONS

CH600
CN700



CH700
CH750
CN750



NTS (mm)

TECHNICAL DATA

MODEL	COMPRESSOR						CONDENSER			RECEIVER	CONNECTIONS		Noise Level (dbA) (3)	Wgt (kg)	
	Nom. hp	Model	Voltage	RLA Amps	LRA Amps	Model	Airflow (l/sec)	Fan Motors			Capacity (kg) (2)	Suction			Liquid
								No. (1)	Tot. Watts	Tot. Amps					
CH600	6.0	2DL75X-AWM	380-420/3/50	13.8	70.0	NQ600	1550	2 x 400	520	3.0	8.8	1-3/8"	5/8"	64	215
CH700	7.0	2DB75X-AWM	380-420/3/50	16.1	70.0	NQ750	2550	2 x 500	940	4.0	10.4	1-3/8"	7/8"	64	250
CN700	7.0	3DA50X-AWM	380-420/3/50	15.9	55.0	NQ650	1670	2 x 400	520	3.0	8.8	1-3/8"	5/8"	64	235
CH750	7.5	3DA75X-AWM	380-420/3/50	18.0	106.0	NQ900	2360	2 x 500	940	4.0	10.4	1-3/8"	7/8"	64	280
CN750	7.5	3DC75X-AWM	380-420/3/50	18.3	70.0	NQ900	2360	2 x 500	940	4.0	10.4	1-3/8"	7/8"	64	275

NOTES:

- 400 & 500mm Cond Fans - 220-240/1/50
- R404A pump down capacity @ 80% full for 32° C liquid temp.
- All noise level ratings are "free field" based at a distance of 3.0 mtrs from source and are given as a guide only.

The company reserves the right to make specification changes without notice. NZ 03/09/2020

Air Cooled Condensing Units



- Reliable and efficient Copeland Semi-Hermetic Compressors.
- Generous wide finned, low noise condensers. Supplied with "Patton Coat" coil and fin protective coating.
- Wide range of factory fitted accessories available.
- Specifically designed for Australasian conditions.

CH-CN SEMI-HERMETIC 1000-1500

10 15 hp

COPELAND™

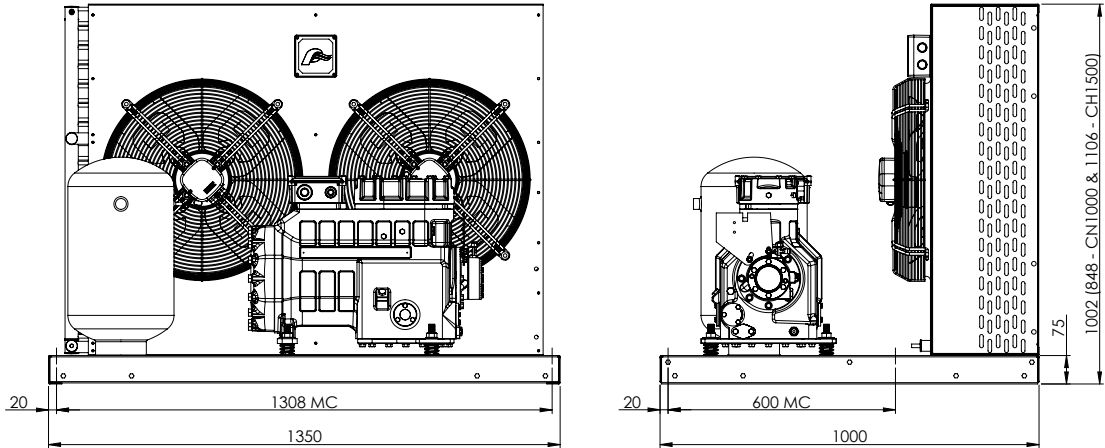
CAPACITY (Watts) @ 32°C Ambient

MODEL	Nom. hp	Refrigerant	Evaporating Temp °C									
			-35	-30	-25	-20	-15	-10	-5	0	5	10
CH1000	10.0	R134a	-	-	-	8170	10510	13250	16460	19840	24050	28420
		R449A	-	-	11270	13930	17140	20750	25150	29210	34110	-
		R404A	7540	9920	12620	15430	18510	22300	26090	30190	-	-
CN1000	10.0	R134a	-	-	-	10360	13140	16310	20010	24170	28800	33660
		R449A	-	-	13670	16530	20300	24260	28970	35160	-	-
		R404A	10710	12700	15540	18760	21830	25600	30290	-	-	-
CH1500	15.0	R134a	-	-	-	10660	13500	16990	21070	25480	30400	35900
		R449A	-	-	14890	18160	22420	26520	31440	36920	42940	-
		R404A	10130	13210	16380	19920	24260	28600	33420	37780	-	-

Head Fan Reqd.

DIMENSIONS

CH1000
CN1000
CH1500



NTS (mm)

TECHNICAL DATA

MODEL	COMPRESSOR						CONDENSER			RECEIVER	CONNECTIONS		Noise Level (dbA) (3)	Wgt (kg)	
	Nom. hp	Model	Voltage	RLA Amps	LRA Amps	Model	Airflow (l/sec)	Fan Motors			Capacity (kg) (2)	Suction			Liquid
								No. (1)	Tot. Watts	Tot. Amps					
CH1000	10.0	3DC100X-AWM	380-420/3/50	20.5	121.0	NQ1300	2950	2 x 500	940	4.0	20.0	1-3/8"	7/8"	66	325
CN1000	10.0	3DS100X-AWM	380-420/3/50	24.4	121.0	NQ1000	2360	2 x 500	940	4.0	20.0	1-3/8"	7/8"	66	295
CH1500	15.0	3DS150X-AWM	380-420/3/50	29.0	129.0	NQ1400	3610	2 x 500	940	4.0	20.0	1-5/8"	7/8"	66	340

NOTES:

- 500mm Cond Fans - 220-240/1/50
- R404A pump down capacity @ 80% full for 32° C liquid temp.
- All noise level ratings are "free field" based at a distance of 3.0 mtrs from source and are given as a guide only.

The company reserves the right to make specification changes without notice. NZ 03/09/2020

Air Cooled Condensing Units



- Latest technology, high efficiency Copeland Stream Compressors.
- Generous wide finned, low noise condensers. Supplied with "Patton Coat" coil and fin protective coating.
- Wide range of factory fitted accessories available.
- Specifically designed for Australasian conditions.

CSCL STREAM 1300 -2500

13 25 hp

COPELAND™

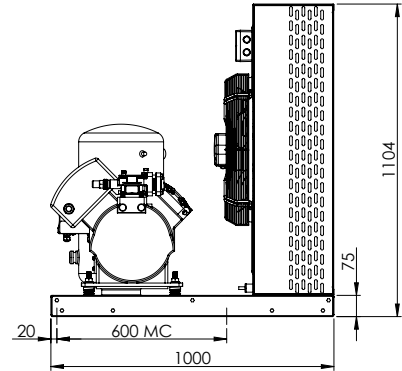
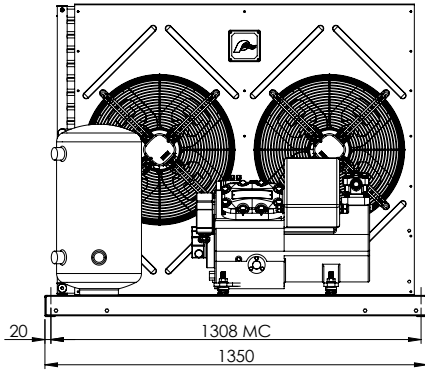
CAPACITY (Watts) @ 32°C Ambient

Model	Nom. hp	Refrigerant	Evaporating Temp °C									
			-35	-30	-25	-20	-15	-10	-5	0	5	10
CSCL1300	13.0	R134a	-	-	-	-	15830	19890	24620	29950	36070	42370
		R449A	9760	12650	16220	19970	23770	28270	-	-	-	-
		R404A	11840	14640	18410	22360	26760	30890	-	-	-	-
CSCL1500	15.0	R134a	-	-	-	-	18670	23280	28580	34170	40490	49470
		R449A	11970	15560	19610	24240	28890	33970	-	-	-	-
		R404A	13490	17410	21420	25400	30190	35500	-	-	-	-
CSCL2000	20.0	R134a	-	-	-	-	20710	25740	31010	37560	44370	54160
		R449A	13340	17340	21810	26850	31890	37330	-	-	-	-
		R404A	16320	19550	23890	28560	33050	38560	-	-	-	-
CSCL2200	22.0	R134a	-	-	-	-	23560	29230	35290	42660	50290	61400
		R449A	15410	19840	24990	30290	36210	43350	-	-	-	-
		R404A	18330	21910	26760	31580	37450	44060	-	-	-	-
CSCL2500	25.0	R134a	-	-	-	-	25420	31740	39070	46780	56200	68850
		R449A	16180	20910	25990	32130	38310	45900	-	-	-	-
		R404A	19710	24110	28950	34950	40660	48860	-	-	-	-

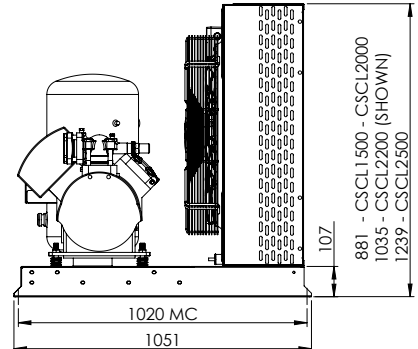
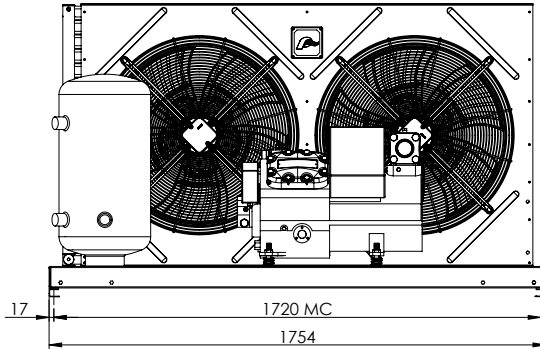
Head Fan & Demand Cooling Req'd.
Head Fan Req'd.

DIMENSIONS

CSCL1300



CSCL1500
CSCL2000
CSCL2200
CSCL2500



NTS (mm)

TECHNICAL DATA

MODEL	COMPRESSOR (1)					CONDENSER					RECEIVER	CONNECTIONS		Noise Level (dba) (4)	Wgt (kg)
	Nom. hp	Model	Voltage	RLA Amps	LRA Amps	Model	Airflow (l/Sec)	Fan Motors			Capacity (kg) (3)	Suction	Liquid		
								No. (2)	Tot. Watts	Tot. Amps					
CSCL1300	13.0	4MF-13X	380-420/3/50	30.8	105.0	NQ1400	3610	2 x 500	940	4.0	28.2	1-5/8"	1-1/8"	67	350
CSCL1500	15.0	4ML-15X	380-420/3/50	35.4	156.0	NQ1500	3770	2 x 630	1360	6.2	28.2	1-5/8"	1-1/8"	68	380
CSCL2000	20.0	4MM-20X	380-420/3/50	39.0	175.0	NQ1700	3530	2 x 630	1360	6.2	36.3	2-1/8"	1-1/8"	69	420
CSCL2200	22.0	4MT-22X	380-420/3/50	44.5	175.0	NQ2050	3960	2 x 630	1360	6.2	48.4	2-1/8"	1-1/8"	70	430
CSCL2500	25.0	4MU-25X	380-420/3/50	51.9	199.0	NQ2400	4185	2 x 630	1360	6.2	48.4	2-1/8"	1-1/8"	70	430

NOTES:

- Stream compressors require Head Fan &/or Demand Cooling (DC) for application within the shaded zone (refer capacity).
- 500mm Cond Fans - 220-240/1/50
630mm Cond Fans - 220-240/1/50
- R404A pump down capacity @ 80% full for 32° C liquid temp.
- All noise level ratings are "free field" based at a distance of 3.0 mtrs from source and are given as a guide only.

The company reserves the right to make specification changes without notice. NZ 03/09/2020

Air Cooled Condensing Units



- Latest technology, high efficiency Copeland Stream Compressors.
- Generous wide finned, low noise condensers. Supplied with "Patton Coat" coil and fin protective coating.
- Wide range of factory fitted accessories available.
- Specifically designed for Australasian conditions.

CSCL STREAM 3000 - 4000

30 40 hp

COPELAND™

CAPACITY (Watts) @ 32°C Ambient

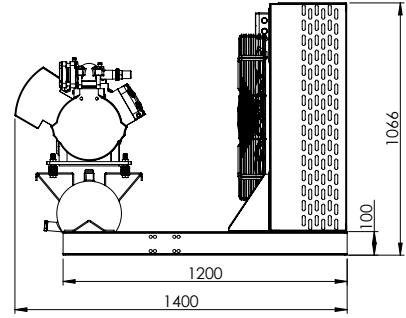
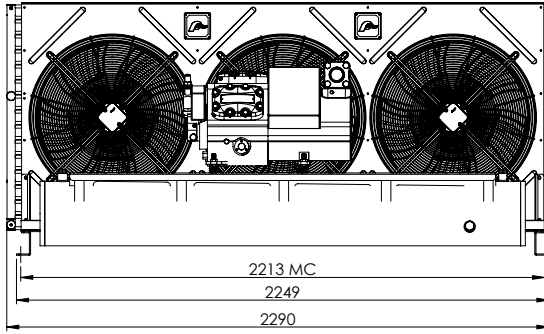
Model	Nom. hp	Refrigerant	Evaporating Temp °C									
			-35	-30	-25	-20	-15	-10	-5	0	5	10
CSCL3000	30.0	R134a	-	-	-	-	31210	38780	47590	57630	68120	82110
		R449A	19570	25400	31890	39070	46980	54940	-	-	-	-
		R404A	24440	29340	35920	43250	51410	59360	-	-	-	-
CSCL3500	35.0	R134a	-	-	-	-	34760	43190	51980	62830	75070	91490
		R449A	21770	27720	34840	42740	50570	59980	-	-	-	-
		R404A	27130	32350	39560	46650	54260	66710	-	-	-	-
CSCL4000	40.0	R134a	-	-	-	-	38760	48000	58730	70090	83990	101290
		R449A	23220	30620	39210	48230	59400	70830	-	-	-	-
		R404A	30620	36840	45170	54570	63710	75170	-	-	-	-

Head Fan & Demand Cooling Reqd.

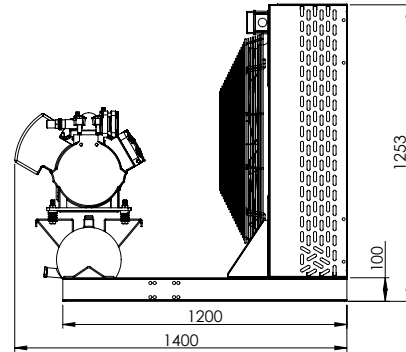
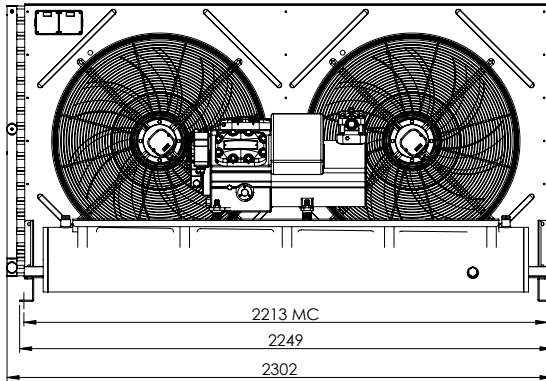
Head Fan Reqd.

DIMENSIONS

CSCL3000
CSCL3500



CSCL4000



NTS (mm)

TECHNICAL DATA

MODEL	COMPRESSOR (1)					CONDENSER					RECEIVER	CONNECTIONS		Noise Level (dbA) (4)	Wgt (kg)
	Nom. hp	Model	Voltage	RLA Amps	LRA Amps	Model	Airflow (l/Sec)	Fan Motors			Capacity (kg) (3)	Suction	Liquid		
								No. (2)	Tot. Watts	Tot. Amps					
CSCL3000	30.0	6MM-30X	380-420/3/50	59.7	105.0	NQ3000	5760	3 x 630	2040	9.3	90.5	2-1/8"	1-1/8"	72	580
CSCL3500	35.0	6MT-35X	380-420/3/50	67.3	255.0	NQ3000	5760	3 x 630	2040	9.3	90.5	2-1/8"	1-1/8"	72	590
CSCL4000	40.0	6MU-40X	380-420/3/50	75.8	304.0	HQ3500	11660	2 x 800	4000	8.0	90.5	2-5/8"	1-1/8"	74	600

NOTES:

- Stream compressors require Head Fan &/or Demand Cooling (DC) for application within the shaded zone (refer capacity).
- 630mm Cond Fans - 220-240/1/50
800mm Cond Fans - 380-420/3/50
- R404A pump down capacity @ 80% full for 32° C liquid temp.
- All noise level ratings are "free field" based at a distance of 3.0 mtrs from source and are given as a guide only.

Air Cooled Condensing Units



- Latest technology, high efficiency Copeland Stream Compressors.
- Generous wide finned, low noise condensers. Supplied with "Patton Coat" coil and fin protective coating.
- Wide range of factory fitted accessories available.
- Specifically designed for Australasian conditions.

CSCM STREAM 2200 - 3300

22 33 hp

COPELAND™

CAPACITY (Watts) @ 32°C Ambient

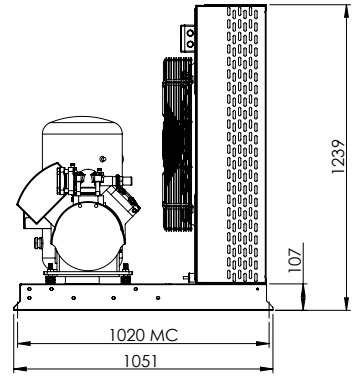
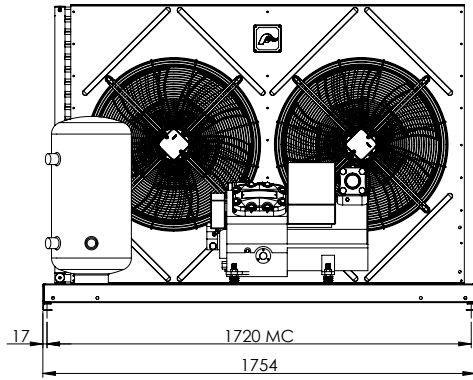
Model	Nom. hp	Refrigerant	Evaporating Temp °C									
			-35	-30	-25	-20	-15	-10	-5	0	5	10
CSCM2200	22.0	R449A	-	14410	17790	22010	27320	33460	40490	47800	-	-
		R404A	12420	15600	19820	24070	29420	34740	40490	46860	-	-
		R407F	-	-	17090	21500	26890	33090	39980	47920	55790	67730
CSCM2500	25.0	R449A	-	16810	21110	26010	31930	39290	46940	55590	-	-
		R404A	14420	18410	23320	28560	34990	41530	48740	56670	-	-
		R407F	-	-	20300	25500	31820	39680	47980	56430	66790	78440
CSCM3000	30.0	R449A	-	19150	23700	29090	35680	43080	51410	60710	-	-
		R404A	16760	20930	26340	31820	38580	45290	52630	60550	-	-
		R407F	-	-	22300	27890	34660	42350	51000	60770	70580	85270
CSCM3300	33.0	R449A	-	20820	25660	31520	38600	46740	54960	64990	-	-
		R404A	18310	22730	28600	34260	41270	48550	56570	65320	-	-
		R407F	-	-	24720	30800	38090	46430	55810	65260	78230	94550

Head Fan & Demand Cooling Reqd.

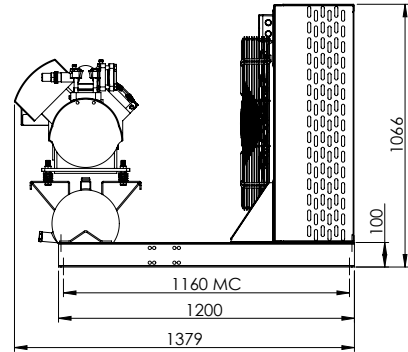
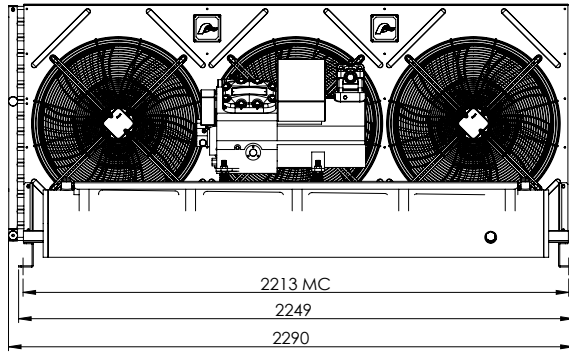
Head Fan Reqd.

DIMENSIONS

CSCM2200



CSCM2500
CSCM3000
CSCM3300



NTS (mm)

TECHNICAL DATA

MODEL	COMPRESSOR (1)					CONDENSER					RECEIVER	CONNECTIONS		Noise Level (dba) (4)	Wgt (kg)
	Nom. hp	Model	Voltage	RLA Amps	LRA Amps	Model	Airflow (l/Sec)	Fan Motors			Capacity (kg) (3)	Suction	Liquid		
								No. (2)	Tot. Watts	Tot. Amps					
CSCM2200	22.0	4MA-22X	380-420/3/50	36.3	175.0	NQ2400	4185	2 x 630	4185	6.2	36.3	1-5/8"	1-1/8"	70	430
CSCM2500	25.0	4MH-25X	380-420/3/50	41.6	199.0	NQ3000	5760	3 x 630	2040	9.3	90.5	2-1/8"	1-1/8"	72	580
CSCM3000	30.0	4MI-30X	380-420/3/50	46.6	221.0	NQ3000	5760	3 x 630	2040	9.3	90.5	2-1/8"	1-3/8"	72	580
CSCM3300	33.0	4MJ-33X	380-420/3/50	52.9	221.0	NQ3000	5760	3 x 630	2040	9.3	90.5	2-1/8"	1-3/8"	72	590

NOTES:

- Stream compressors require Head Fan &/or Demand Cooling (DC) for application within the shaded zone (refer capacity).
- 630mm Cond Fans - 220-240/1/50
- R404A pump down capacity @ 80% full for 32° C liquid temp.
- All noise level ratings are "free field" based at a distance of 3.0 mtrs from source and are given as a guide only.

The company reserves the right to make specification changes without notice. NZ 03/09/2020

Air Cooled Condensing Units



- Latest technology, high efficiency Copeland Stream Compressors.
- Generous wide finned, low noise condensers. Supplied with "Patton Coat" coil and fin protective coating.
- Wide range of factory fitted accessories available.
- Specifically designed for Australasian conditions.

CSCM STREAM 3500 - 5000

35 50 hp

COPELAND™

CAPACITY (Watts) @ 32°C Ambient

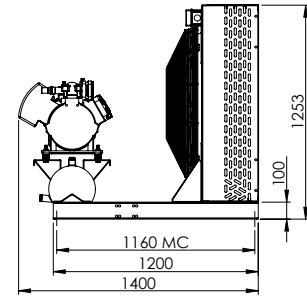
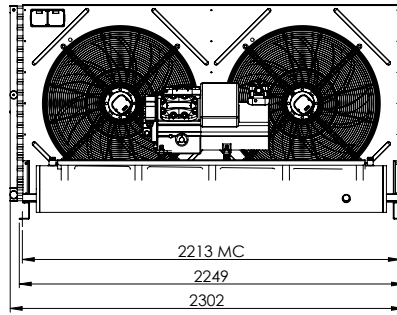
Model	Nom. hp	Refrigerant	Evaporating Temp °C									
			-35	-30	-25	-20	-15	-10	-5	0	5	10
CSCM3500	35.0	R449A	-	23480	29340	35970	44190	53390	63850	74380	-	-
		R404A	20600	25950	32600	39580	47230	56770	66300	75210	-	-
		R407F	-	-	-	34970	43110	52670	63440	75640	87820	106590
CSCM4000	40.0	R449A	-	28720	35600	43000	52490	63140	73710	86500	-	-
		R404A	24210	30620	37840	45880	54790	64630	73950	87310	-	-
		R407F	-	-	-	41350	51410	62730	74320	88540	107610	130050
CSCM4500	45.0	R449A	-	32840	41110	50410	62340	74890	88780	104040	-	-
		R404A	27930	35480	44760	55390	66300	79640	92820	107100	-	-
		R407F	-	-	-	48180	60590	73850	88860	105570	124640	145660
CSCM5000	50.0	R449A	-	35990	44450	54510	67630	81480	97140	114550	-	-
		R404A	31620	39290	49430	60930	72730	85660	99860	115360	-	-
		R407F	-	-	-	53120	66910	81740	98590	115870	136780	162690

Head Fan & Demand Cooling Reqd.

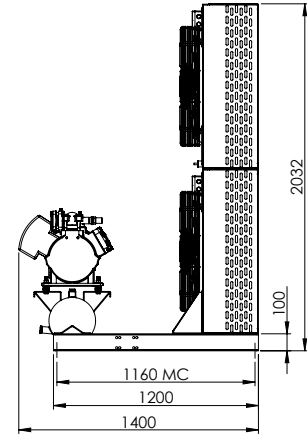
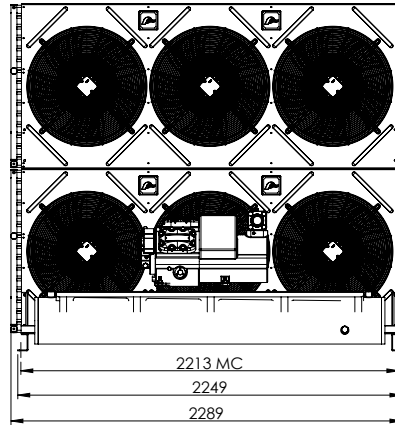
Head Fan Reqd.

DIMENSIONS

CSCM3500
CSCM4000



CSCM4500
CSCM5000



NTS (mm)

TECHNICAL DATA

MODEL	COMPRESSOR (1)					CONDENSER					RECEIVER	CONNECTIONS		Noise Level (dbA) (4)	Wgt (kg)
	Nom. hp	Model	Voltage	RLA Amps	LRA Amps	Model	Airflow (l/Sec)	Fan Motors			Capacity (kg) (3)	Suction	Liquid		
								No. (2)	Tot. Watts	Tot. Amps					
CSCM3500	35.0	4MK-35X	380-420/3/50	61.1	255.0	HQ3500	11660	2 x 800	4000	8.0	90.5	1-5/8"	1-3/8"	74	580
CSCM4000	40.0	6MI-40X	380-420/3/50	71.4	304.0	HQ3500	11660	2 x 800	4000	8.0	90.5	2-1/8"	1-3/8"	76	780
CSCM4500	45.0	6MJ-45X	380-420/3/50	81.5	304.0	NQ3000_2	11520	6 x 630	2884	18.6	90.5	2-1/8"	1-3/8"	76	780
CSCM5000	50.0	6MK-50X	380-420/3/50	92.9	393.0	NQ3000_2	11520	6 x 630	2884	18.6	90.5	2-1/8"	1-3/8"	76	780

NOTES:

- Stream compressors require Head Fan &/or Demand Cooling (DC) for application within the shaded zone (refer capacity).
- 630mm Cond Fans - 220-240/1/50
800mm Cond Fans - 380-420/3/50
- R404A pump down capacity @ 80% full for 32° C liquid temp.
- All noise level ratings are "free field" based at a distance of 3.0 mtrs from source and are given as a guide only.

The company reserves the right to make specification changes without notice. NZ 03/09/2020

PATTON



The company reserves the right to make specification changes without notice. 03/09/2020

