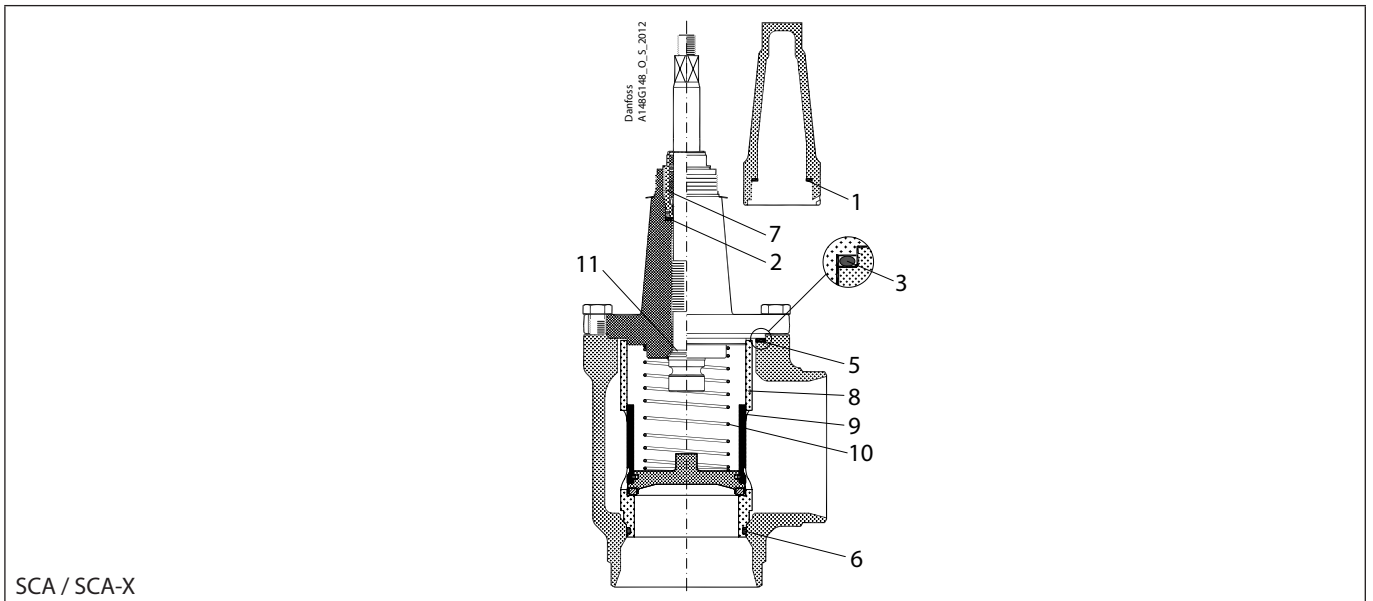


Installation guide – Spare parts and accessories

Overhaul kit | Code number 148B6166
SCA / SCA-X sizes 125



SCA / SCA-X

| | | | | |
|--|---|--------------------------------------|--|--|
| <p>1</p> <p> = Nylon</p> <p>Total no. = 1</p> | <p>2</p> <p> = Alu.</p> <p>Total no. = 1</p> | <p>3</p> <p>Total no. = 1</p> | <p>5</p> <p> = Fibre</p> <p>Total no. = 1</p> | <p>6</p> <p>Total no. = 1</p> |
| <p>7</p> <p>Total no. = 1</p> | <p>8</p> <p>Total no. = 1</p> | <p>9</p> <p>Total no. = 1</p> | <p>10</p> <p>Total no. = 1</p> | <p>11</p> <p> = PTFE</p> <p>Total no. = 1</p> |

NOTE:

When replacing the packing gland (pos. 7) in SCA-X or SCA the aluminium gasket (pos. 2) is needed.