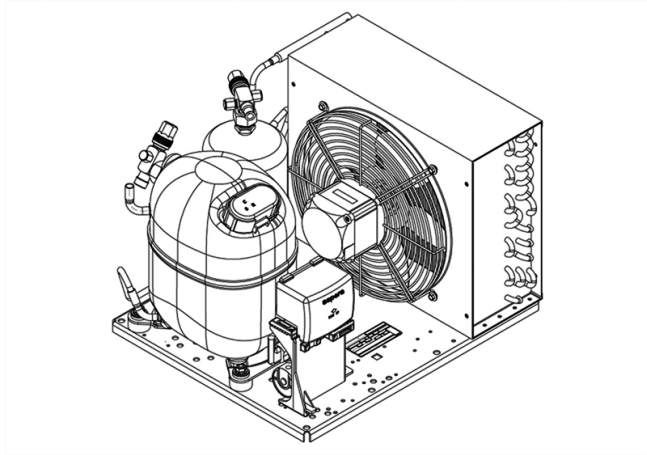


UNJ2212GK



ENGINEERING CODE
643TA5604AA



REFRIGERANT
R-404A



POWER SUPPLY
220-240 V 50 Hz



APPLICATION
LBP



MOTOR TYPE
CSR



STANDARD
ASHRAE



COOLING CAPACITY
1644 W



EFFICIENCY
1.35 W/W

CE

ECODESIGN
COMPLIANT

DATA

GENERAL DATA

Model UNJ2212GK

ELECTRICAL DATA

Locked Rotor Amperage (LRA) 36.00 A

Rated Load Amperage (RLA) 6.50 A

Maximum Overcurrent Protection (MOP) 14.63 A

Minimum Current Ampacity (MCA) 8.1 A

ACCESSORIES

Discharge valve SOLDER 3/8" 2110049

Suction valve SOLDER 5/8" 2110054

CONDENSING COMPONENTS

Compressor NJ2212GK LBP

Condenser 3R12T 2451140

Refrigerant R-404A

Expansion Device C-V

Fan Blade Diameter 275 mm

Fankit 34W 275/31/5B 1996583

MECHANICAL DATA

Air Flow	800 m ³ /h
Height	324 mm
Receiver	2.3 L
Shaft Power	34 W
Weight	38 Kg
Width	410 mm
Length	481 mm

PERFORMANCE

TESTED CONDITIONS

Tested Refrigerant	R-404A
Tested Application	LBP
Tested Standard	ASHRAE

RATED POINTS

Ambient Temperature °C	Evaporating Temperature °C	Cooling Capacity W	Efficiency W/W	Consumo de Potencia W
32	-23.3	1644	1.35	1219

Test Condition: Subcooling 3 K, Return Gas 32 °C.

PERFORMANCE CURVE

Ambient Temperature 25°C

Evaporating Temperature °C	Cooling Capacity W	Efficiency W/W	Consumo de Potencia W
-40	857	1.11	770
-30	1409	1.41	1000
-25	1714	1.49	1149
-20	2042	1.55	1322
-15	2396	1.58	1517
-10	2778	1.60	1735

Test Condition: Subcooling 3 K, Return Gas 32 °C.

PERFORMANCE CURVE

Ambient Temperature 32°C

Evaporating Temperature °C	Cooling Capacity W	Efficiency W/W	Consumo de Potencia W
-40	667	0.90	740
-30	1223	1.23	998
-25	1533	1.32	1159
-20	1868	1.39	1342
-15	2231	1.44	1546
-10	2624	1.48	1773

Test Condition: Subcooling 3 K, Return Gas 32 °C.

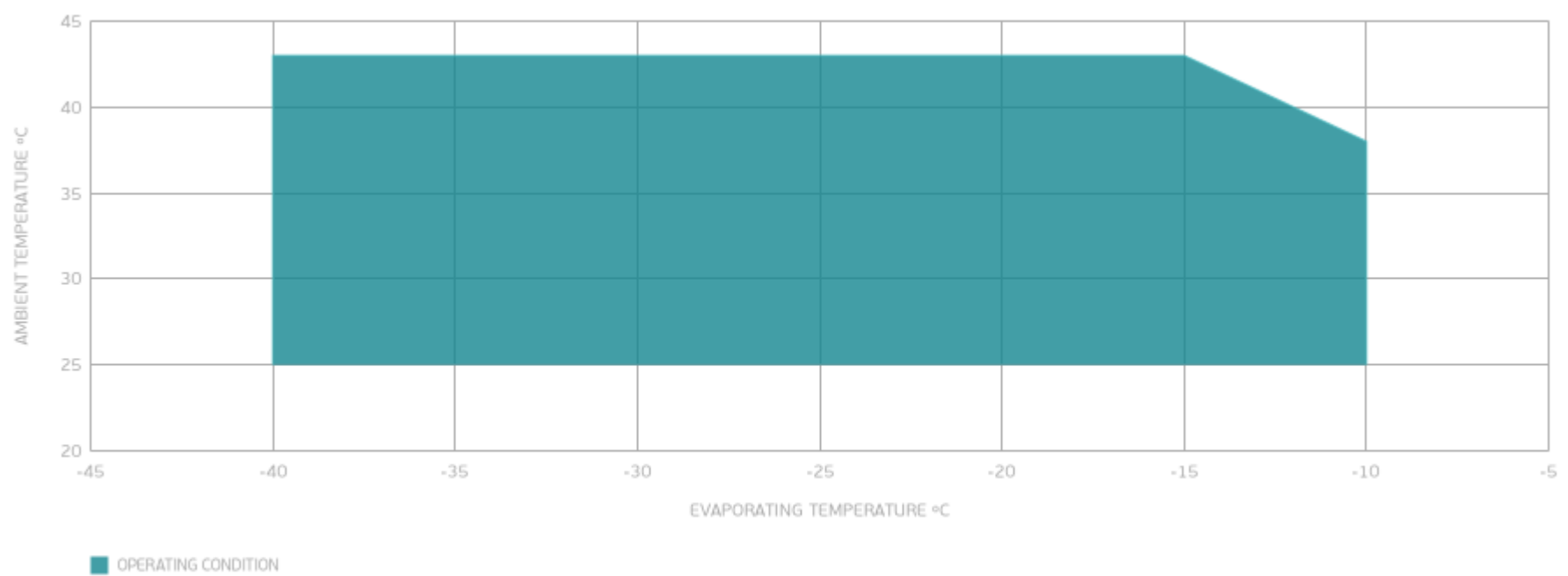
PERFORMANCE CURVE

Ambient Temperature 43°C

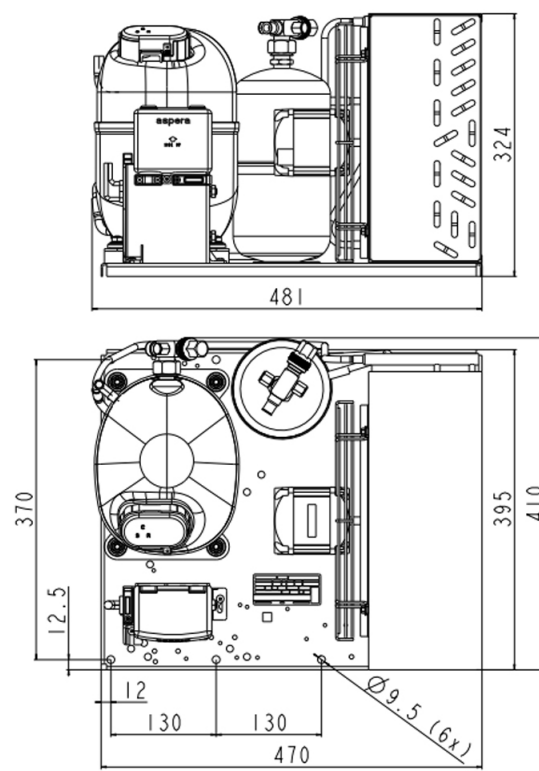
Evaporating Temperature °C	Cooling Capacity W	Efficiency W/W	Consumo de Potencia W
-40	539	0.74	730
-30	975	0.95	1031
-25	1229	1.02	1210
-20	1511	1.07	1409
-15	1825	1.12	1628

Test Condition: Subcooling 3 K, Return Gas 32 °C.

ENVELOPE



EXTERNAL DIMENSIONS



WIRING DIAGRAM

