



REFRIGERATION AND
AIR CONDITIONING

Instructions

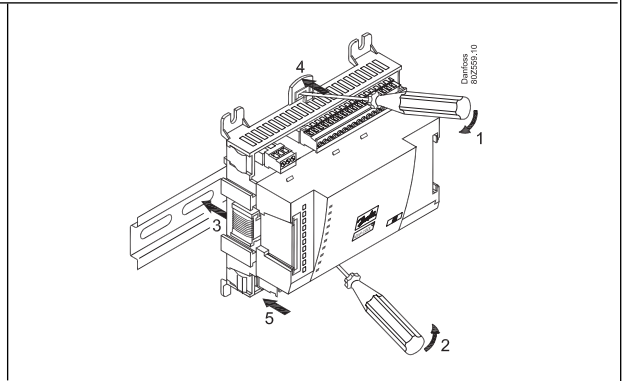
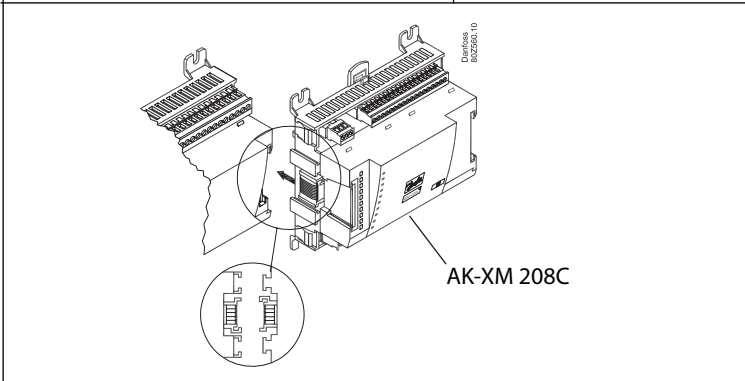
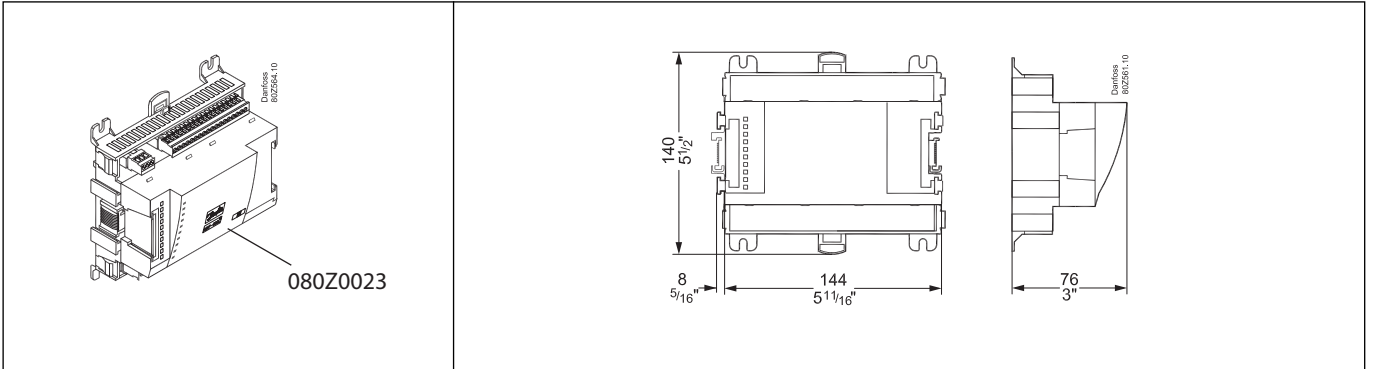


080R9299

Stepper output module AK-XM 208C



RI8PS802



CE

-20°C < t_{amb} < 55°C
-0°F < t_{amb} < 130°F
0 - 95% RH, non condensing
IP10 / VBG4
Controller supply = 5 VA
Valve supply = 7.8 VA + valves.
Class II construction



4VR5
UL file: E357029
Class 2 or LPS in accordance with NEC.
For supply connections, use 16 AWG or larger wires rated for at least 90°C (194°F).
Use copper conductors only.

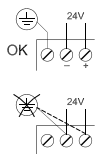


Warning

Ensure power is disconnected before adding or removing Modules

4 x stepper valve output 8 x AI

The terminals "+" and "-" and must **not** be earthed.



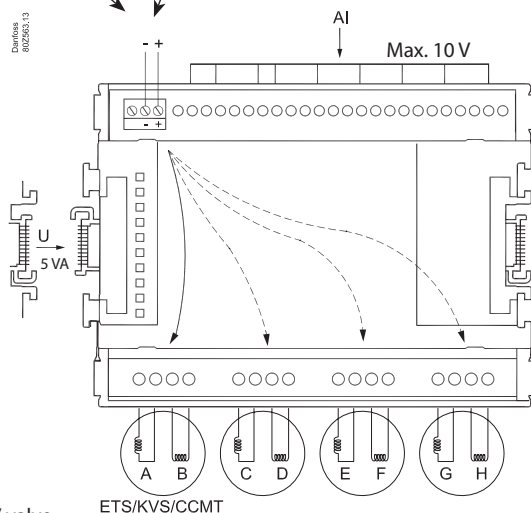
Separate power supply to AK-XM 208C:

24 V a.c. / d.c. +/- 20%

xx VA

xx = Eg: 7.8 + (4 x 1.3) = 13 VA ⇒ AK-PS 075

xx = Eg: 7.8 + (4 x 5.1) = 28.2 VA ⇒ AK-PS 150



Output:

24 V d.c.
20-500 step/s
I_{max} = 325 mA RMS / valve
Σ P_{out} = max. 21 VA

ETS/KVS/CCMT

The connection to the valve must not be broken using a relay

Valve data	
Type	P
ETS 12.5 - ETS 400	1.3 VA
KVS 15 - KVS 42	
CCMT 2 - CCMT 8	
CCM 10 - CCM 40	
CTR 20	
CCMT 16 - CCMT 42	5.1 VA

L = max. 30 m. (Filter AKA 211 must not be used.)

