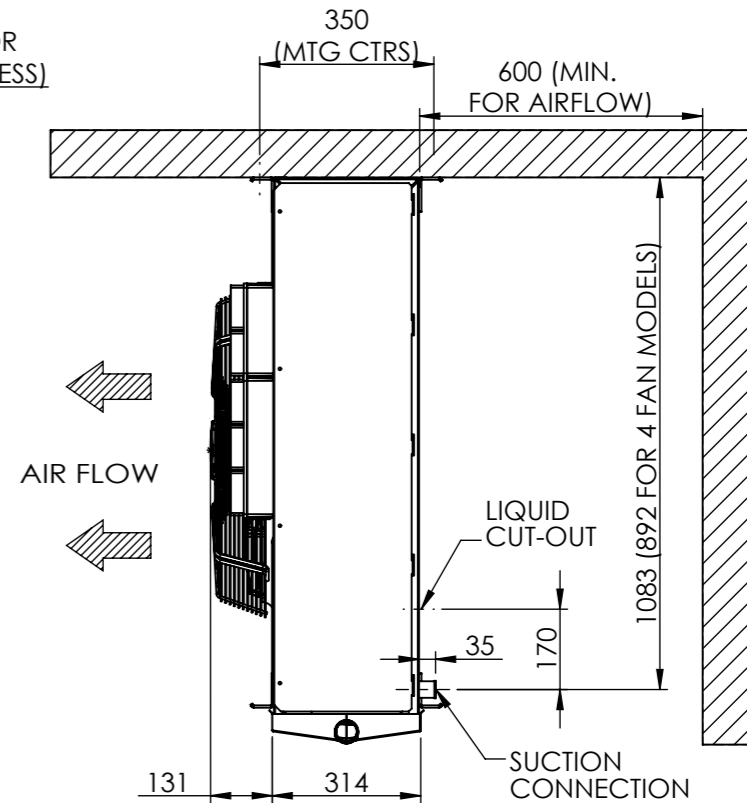


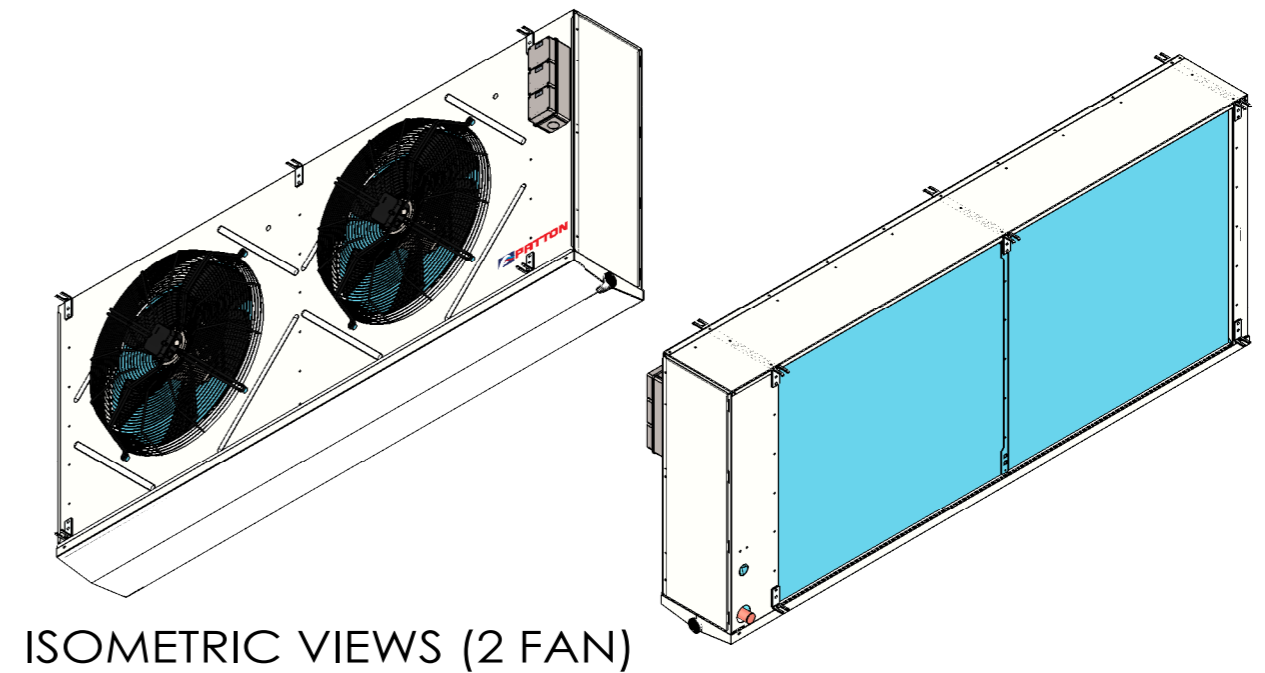
FRONT ELEVATION

DRAIN 1-1/2" BSP FEMALE WITH 40MM PVC SOCKET (LOOSE) FOR 2/3/4 FAN (3/4" BSP FEMALE WITH 20MM PVC SOCKET FOR 1 FAN)



SIDE ELEVATION

MODELS		JMC140, 155 JLC100	JMC230, 275, 305 JLC175, 220	JMC340, 410, 450 JLC260, 330	JMC545, 605 JLC435
FAN(S)		1	2	3	4
DIMENSIONS	L	1306	2326	3346	3686
	A	1052	1036	1036	866
	B	-	1036	1020	850
	C	-	-	1036	850
	D	-	-	-	866



PROPRIETARY AND CONFIDENTIAL

THE DRAWING AND INFORMATION CONTAINED HEREIN ARE THE EXCLUSIVE PROPERTIES OF PATTON LIMITED. IT SHALL BE RETURNED UPON DEMAND AND SHALL NOT BE REPRODUCED IN WHOLE OR IN PART, DISCLOSE TO ANYONE ELSE OR USED WITHOUT THE WRITTEN CONSENT OF PATTON LIMITED.

DO NOT SCALE DRAWING

REVISION: -



TITLE:
JC SERIES GA
1-4 FAN BROCHURE VIEW

DWG NO.

PL01-ASM-JC01

A3

09-NOV-2018

WEIGHT: 96 - 401 KG

DRAWN BY: DAN K.

SHEET 1 OF 1