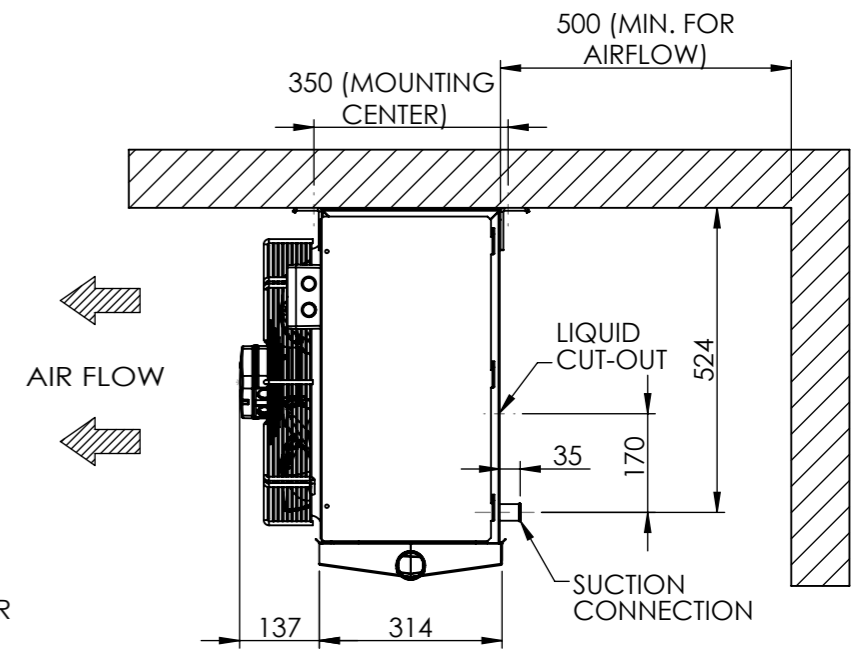
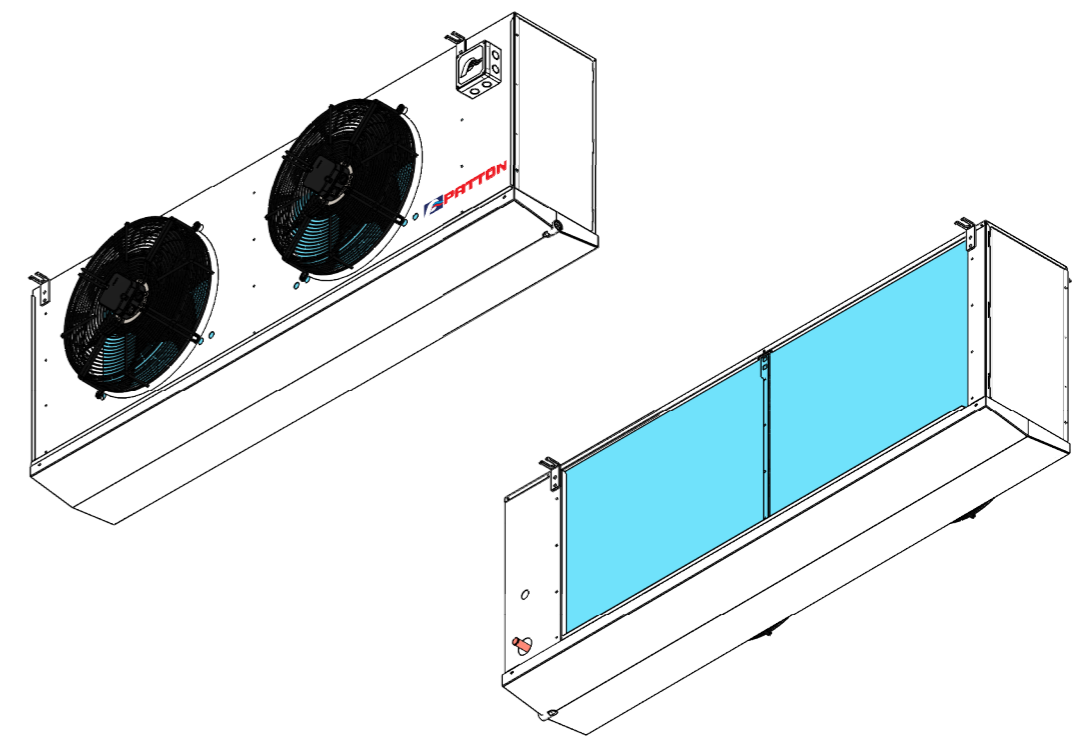


FRONT ELEVATION




SIDE ELEVATION

MODELS		RM40, 50, 60 RL35, 40	RM90, 105, 125 RL70, 80	RM120, 145, 165 RL95, 110	RM180, 215, 245 RL140, 170
FAN(S)		1	2	3	4
DIMENSIONS	L	1051	1813	2329	3349
	A	792	1554	2070	3090



ISOMETRIC VIEWS (2 FAN)

PROPRIETARY AND CONFIDENTIAL	DO NOT SCALE DRAWING	REVISION: -
	 <i>refrigeration :: hvac</i>	
THE DRAWING AND INFORMATION CONTAINED HEREIN ARE THE EXCLUSIVE PROPERTIES OF PATTON LIMITED. IT SHALL BE RETURNED UPON DEMAND AND SHALL NOT BE REPRODUCED IN WHOLE OR IN PART, DISCLOSE TO ANYONE ELSE OR USED WITHOUT THE WRITTEN CONSENT OF PATTON LIMITED.	TITLE: R SERIES GA 1-4 FAN BROCHURE VIEW	
	DWG NO. PL01-ASM-R01	A3 09-NOV-2018
	WEIGHT: 75 - 106 KG	DRAWN BY: DAN K.
		SHEET 1 OF 1