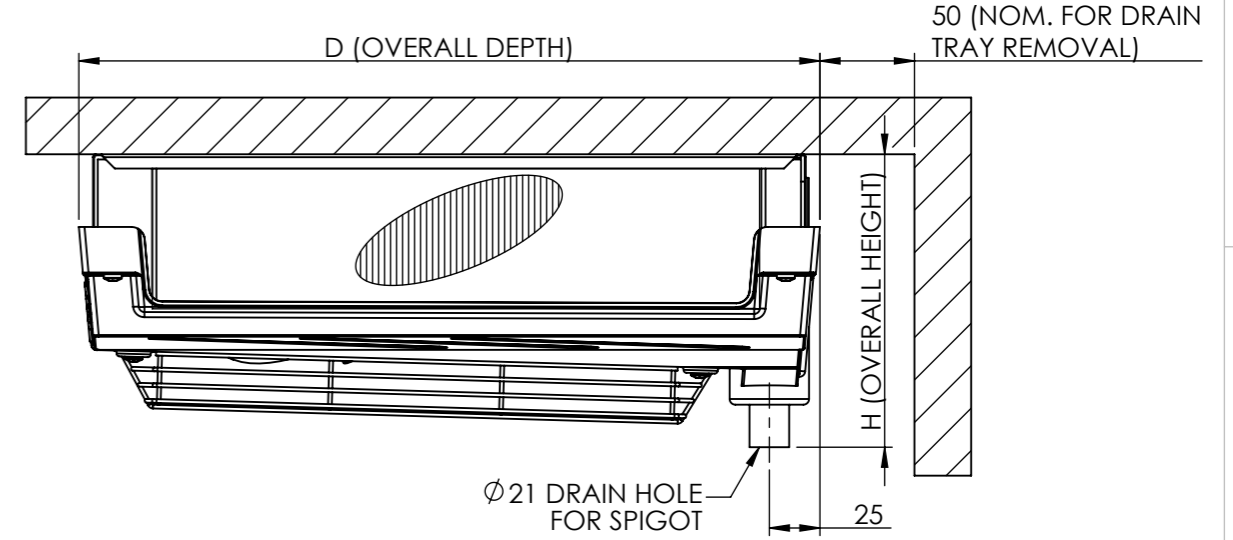
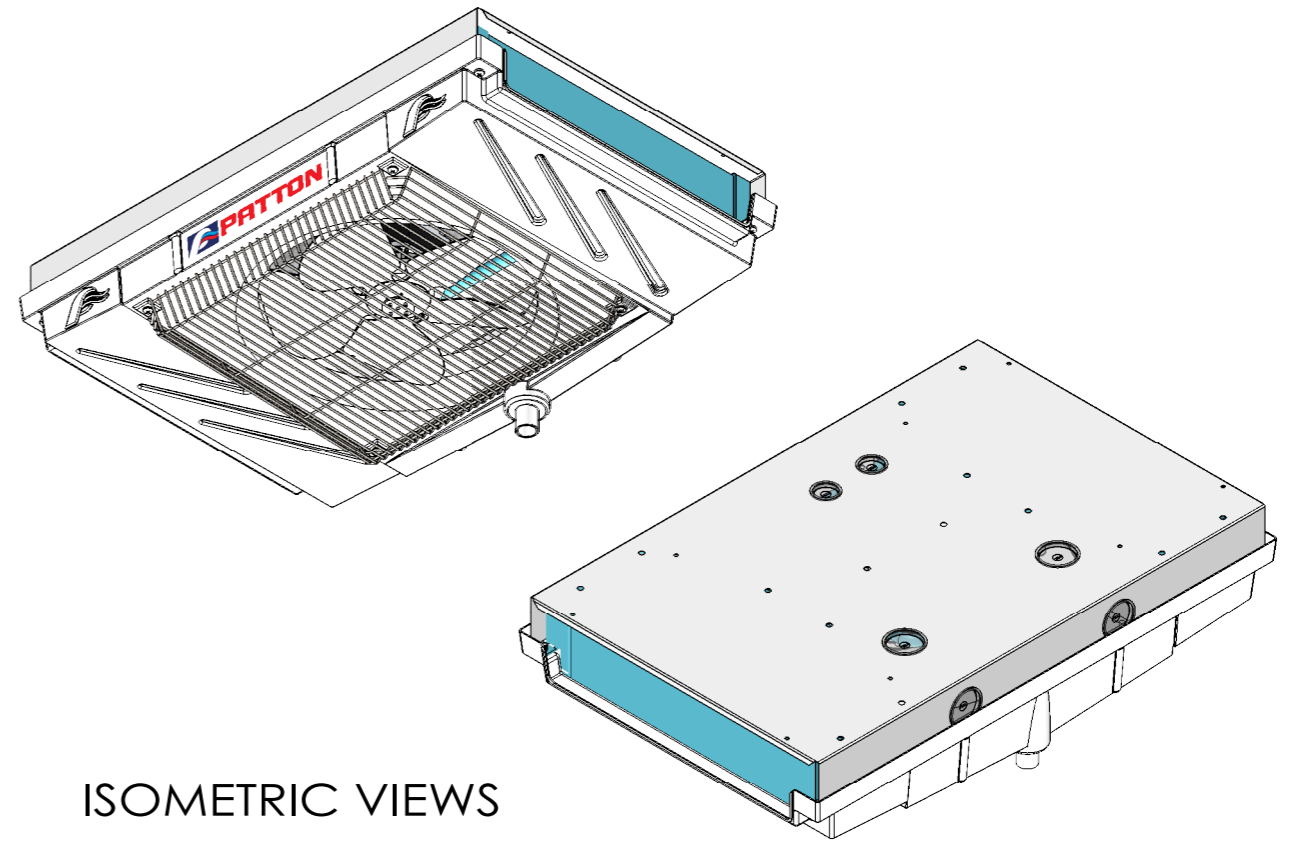


↑ AIR FLOW ↑
FRONT ELEVATION



SIDE ELEVATION

MODELS		TCM04, 06, 08	TCM10	TCM12, 16
DIMENSIONS	L	604	604	804
	D	386	386	466
	H	178	200	208



ISOMETRIC VIEWS

PROPRIETARY AND CONFIDENTIAL

THE DRAWING AND INFORMATION CONTAINED HEREIN ARE THE EXCLUSIVE PROPERTIES OF PATTON LIMITED. IT SHALL BE RETURNED UPON DEMAND AND SHALL NOT BE REPRODUCED IN WHOLE OR IN PART, DISCLOSE TO ANYONE ELSE OR USED WITHOUT THE WRITTEN CONSENT OF PATTON LIMITED.

DO NOT SCALE DRAWING

REVISION: -



TITLE:
TC SERIES
BROCHURE VIEW

DWG NO.

PL01-ASM-TC01

A3

25-JAN-2017

WEIGHT: 7.4 - 13.5 KG

DRAWN BY: DAN K.

SHEET 1 OF 1